

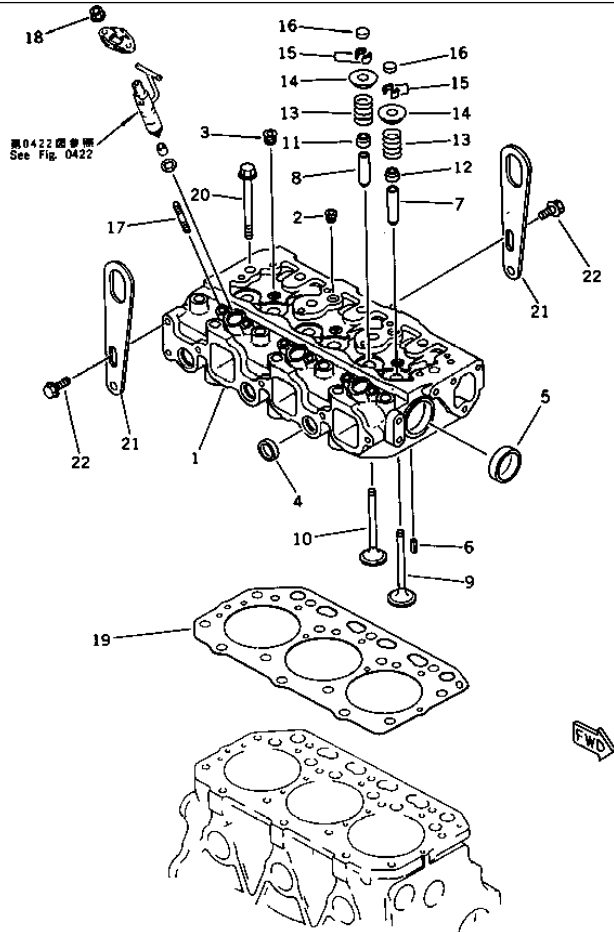
**3D78-1F S/N 01589-UP**  
**KOMATSU 3D78-1F S/N 01589-UP**

| Item | Description            | Page   |
|------|------------------------|--------|
| 01   | CYLINDER HEAD          | 030000 |
| 02   | CYLINDER BLOCK         | 060000 |
| 03   | LUBRICATING OIL SYSTEM | 090000 |
| 04   | FUEL SYSTEM            | 120000 |
| 05   | COOLING SYSTEM         | 150000 |
| 06   | ELECTRICAL SYSTEM      | 180000 |
| 09   | TOOL AND KIT           | 210000 |

3D78-1F S/N 01589-UP  
CYLINDER HEAD

| Item | Description                  | Qty | Page   |
|------|------------------------------|-----|--------|
| 10   | CYLINDER HEAD(#06463-)       | 1   | 030010 |
| 20   | ROCKER ARM                   | 1   | 030020 |
| 30   | CYLINDER HEAD COVER(#06463-) | 1   | 030030 |
| 40   | AIR INTAKE MANIFOLD          | 1   | 030040 |
| 50   | AIR CLEANER                  | 1   | 030050 |
| 60   | EXHAUST MANIFOLD AND MUFFLER | 1   | 030060 |

3D78-1F S/N 01589-UP



Ref. 0102

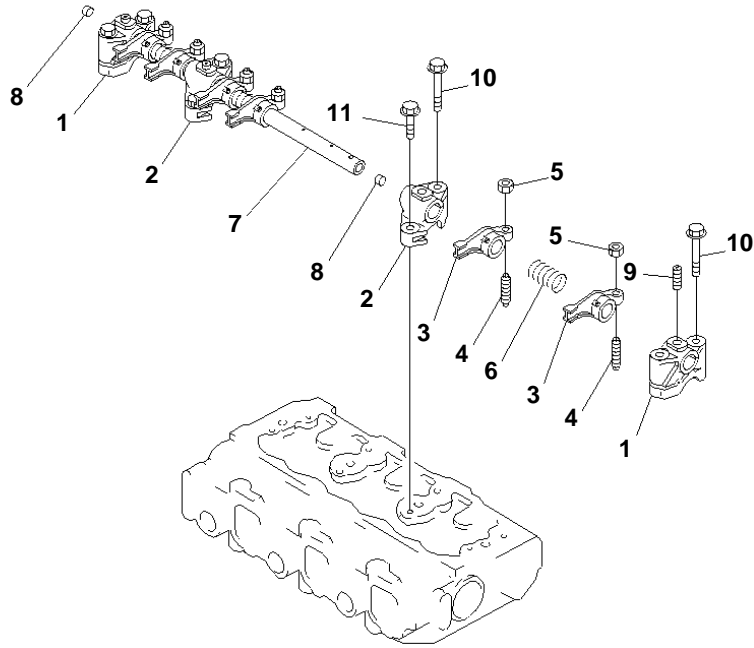
Page 030010

3D78-1F S/N 01589-UP  
CYLINDER HEAD(#06463-)

| Item | Part No.       | Description           | Qty | Options    |
|------|----------------|-----------------------|-----|------------|
| 1    | YM729100-11700 | CYLINDER HEAD A.      | 1   | SN:06463-- |
| 2    | YM121850-11860 | · PLUG                | 2   | SN:06463-- |
| 3    | YM23871-030000 | · PLUG                | 3   | SN:06463-- |
| 4    | YM27241-220000 | · PLUG                | 3   | SN:06463-- |
| 5    | YM27241-400000 | · PLUG                | 2   | SN:06463-- |
| 6    | YM22351-060012 | · PIN,SPRING          | 2   | SN:06463-- |
| 7    | YM120130-11860 | · GUIDE,INTAKE VALVE  | 3   | SN:06463-- |
| 8    | YM129150-11810 | · GUIDE,EXHAUST VALVE | 3   | SN:06463-- |
| 9    | YM129100-11100 | · VALVE,INTAKE        | 3   | SN:06463-- |
| 10   | YM129100-11110 | · VALVE,EXHAUST       | 3   | SN:06463-- |
| 11   | YM121400-11340 | · SEAT,VALVE          | 3   | SN:06463-- |
| 12   | YM124460-11340 | · SEAT,VALVE          | 3   | SN:06463-- |
| 13   | YM129795-11120 | · SPRING              | 6   | SN:06463-- |
| 14   | YM129795-11180 | · SEAT,SPRING         | 6   | SN:06463-- |
| 15   | YM103338-11190 | · COTTER,VALVE        | 6   | SN:06463-- |
| 16   | YM129150-11370 | · CAP                 | 6   | SN:06463-- |
| 17   | YM26216-060202 | · STUD                | 6   | SN:06463-- |
| 18   | YM26367-060002 | · NUT                 | 6   | SN:06463-- |
| 19   | YM129100-01330 | GASKET,HEAD (KIT)     | 1   | SN:06463-- |
| 20   | YM129150-01200 | BOLT,HEAD             | 14  | SN:06463-- |
| 21   | YM124736-07900 | HOOK                  | 2   | SN:06463-- |
| 22   | YM26106-080142 | BOLT                  | 4   | SN:06463-- |

Ref. 0102

Page 030010



PJ30475

Ref. 0111

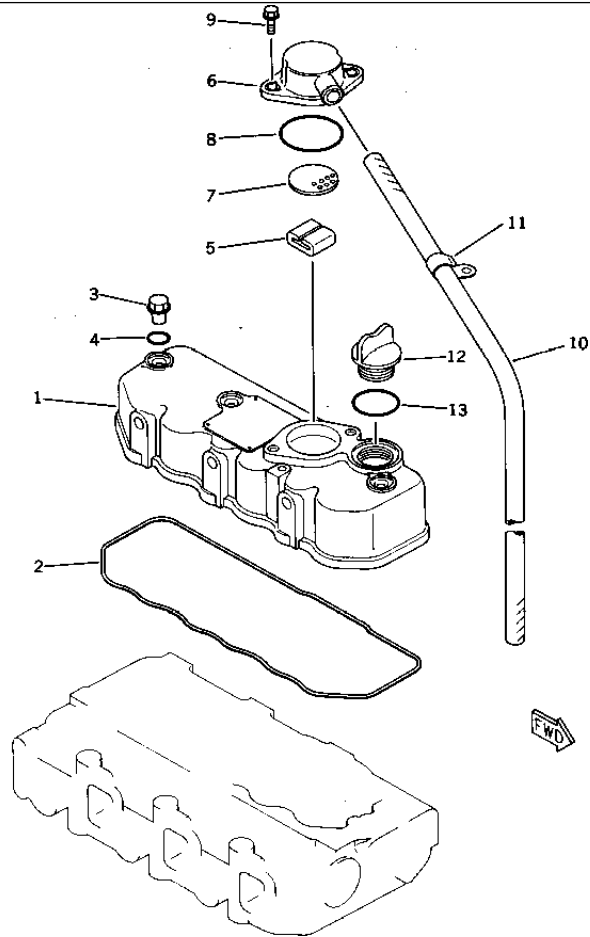
Page 030020

3D78-1F S/N 01589-UP  
ROCKER ARM

| Item | Part No.       | Description         | Qty | Options    |
|------|----------------|---------------------|-----|------------|
|      | YM129155-11241 | ROCKER ARM SHAFT A. | 1   | SN:01589-- |
| 1    | YM129155-11260 | · SUPPORT           | 2   | SN:01589-- |
| 2    | YM129155-11270 | · SUPPORT           | 2   | SN:01589-- |
| 3    | YM729150-11651 | · ROCKER ARM ASS'Y  | 6   | SN:01589-- |
| 4    | YM129150-11230 | · · SCREW,ADJUSTING | 1   | SN:01589-- |
| 5    | YM129150-11750 | · · NUT             | 1   | SN:01589-- |
| 6    | YM129150-11280 | · SPRING            | 3   | SN:01589-- |
| 7    | YM129150-11290 | · SHAFT ASS'Y       | 1   | SN:01589-- |
| 8    | YM27241-100000 | · · PLUG            | 2   | SN:01589-- |
| 9    | YM26226-080182 | · STUD              | 3   | SN:01589-- |
| 10   | YM26106-080502 | BOLT                | 6   | SN:01589-- |
| 11   | YM26106-080252 | BOLT                | 2   | SN:01589-- |

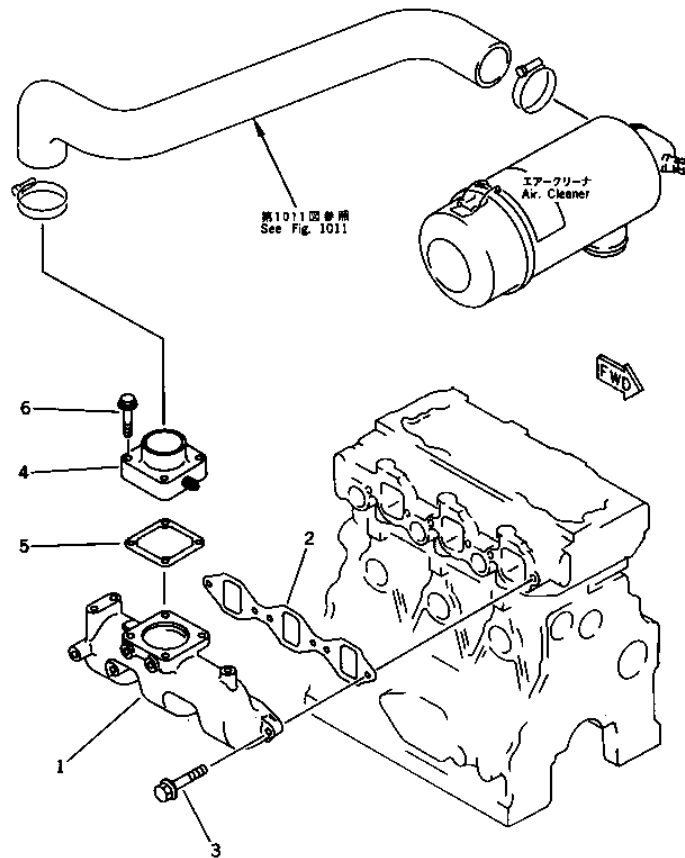
Ref. 0111

Page 030020



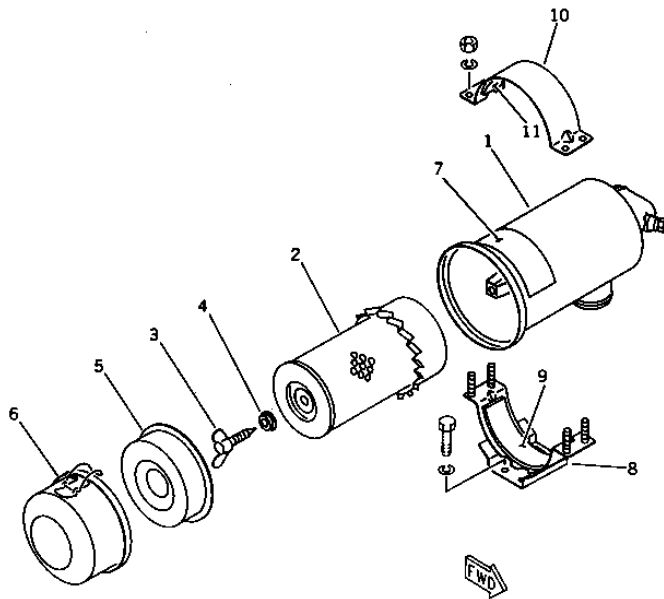
3D78-1F S/N 01589-UP  
CYLINDER HEAD COVER(#06463-)

| Item | Part No.       | Description         | Qty | Options    |
|------|----------------|---------------------|-----|------------|
| 1    | YM129100-11300 | COVER,CYLINDER HEAD | 1   | SN:06463-- |
| 2    | YM129150-11310 | GASKET (KIT)        | 1   | SN:06463-- |
| 3    | YM124160-11360 | KNOB                | 3   | SN:06463-- |
| 4    | YM24311-000120 | O-RING (KIT)        | 3   | SN:06463-- |
| 5    | YM129150-03080 | RETAINER            | 1   | SN:06463-- |
| 6    | YM129150-03020 | COVER               | 1   | SN:06463-- |
| 7    | YM129150-03070 | BAFFLE              | 1   | SN:06463-- |
| 8    | YM24341-000500 | O-RING              | 1   | SN:06463-- |
| 9    | YM26106-080162 | BOLT                | 2   | SN:06463-- |
| 10   | YM129150-03090 | HOSE                | 1   | SN:06463-- |
| 11   | YM129150-03100 | CLIP                | 1   | SN:06463-- |
| 12   | YM124160-01751 | CAP                 | 1   | SN:06463-- |
| 13   | YM24311-000320 | O-RING              | 1   | SN:06463-- |



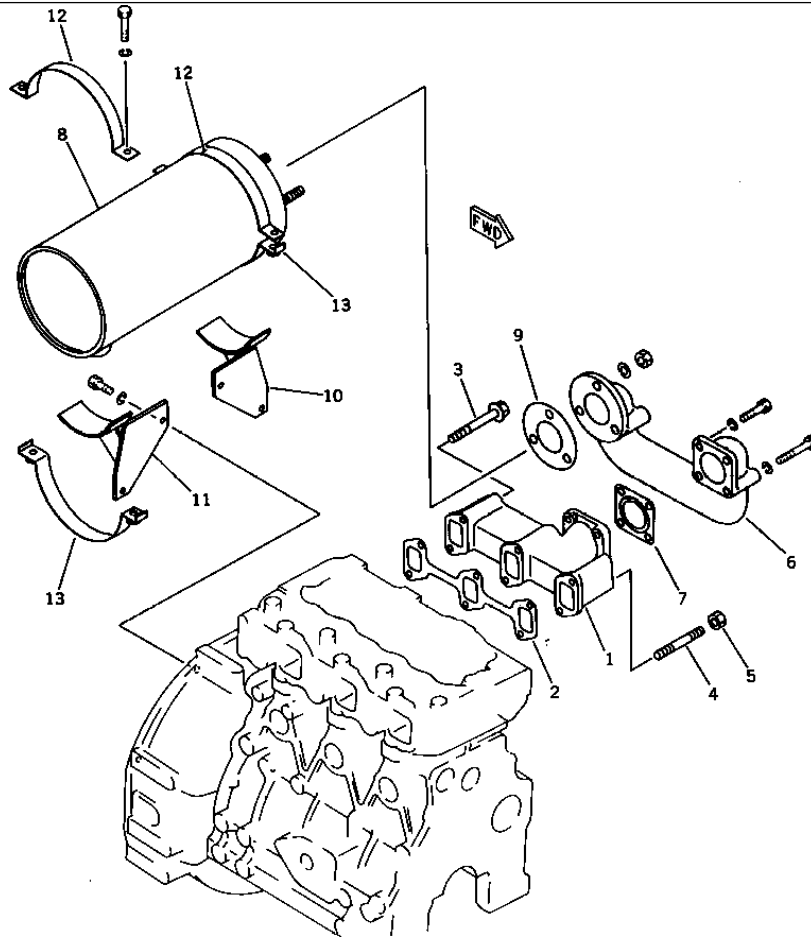
3D78-1F S/N 01589-UP  
AIR INTAKE MANIFOLD

| Item | Part No.       | Description         | Qty | Options    |
|------|----------------|---------------------|-----|------------|
| 1    | YM129150-12100 | MANIFOLD,AIR INTAKE | 1   | SN:01589-- |
| 2    | YM129150-12110 | GASKET (KIT)        | 1   | SN:01589-- |
| 3    | YM26106-080252 | BOLT                | 4   | SN:01589-- |
| 4    | YM129120-77501 | HEATER,RIBBON       | 1   | SN:01589-- |
| 5    | YM129150-77510 | GASKET              | 1   | SN:01589-- |
| 6    | YM26106-080352 | BOLT                | 4   | SN:01589-- |



3D78-1F S/N 01589-UP  
AIR CLEANER

| Item  | Part No.       | Description       | Qty | Options    |
|---|----------------|-------------------|-----|------------|
| 1   | YM129130-12550 | AIR CLEANER ASS'Y | 1   | SN:01589-- |
|   | YM129130-12570 | · BODY            | 1   | SN:01589-- |
| <b>WHEN REPLACING BODYꝑ ALSO SUPPLY CAUTION PLATE AS A SET.</b> |                |                   |     |            |
| 2   | YM121120-12901 | · ELEMENT         | 1   | SN:01589-- |
| 3   | YM121120-12561 | · BOLT,WING       | 1   | SN:01589-- |
| 4   | YM121120-12571 | · WASHER,SEAL     | 1   | SN:01589-- |
| 5   | YM121120-12541 | · BUFFLE          | 1   | SN:01589-- |
| 6   | YM121120-12531 | · PAN,DUST        | 1   | SN:01589-- |
| 7   | YM171056-12590 | PLATEꝑ CAUTION    | 1   | SN:01589-- |
|   | YM171351-12580 | SUPPORT ASS'Y     | 1   | SN:01589-- |
| 8   | YM171351-12560 | · SUPPORT         | 1   | SN:01589-- |
| 9   | YM171351-12570 | · SEAT            | 1   | SN:01589-- |
|   | YM121400-12540 | BAND ASS'Y        | 1   | SN:01589-- |
| 10  | YM121400-12560 | · BAND            | 1   | SN:01589-- |
| 11  | YM121400-12570 | · SEAT            | 1   | SN:01589-- |



3D78-1F S/N 01589-UP  
**EXHAUST MANIFOLD AND MUFFLER**

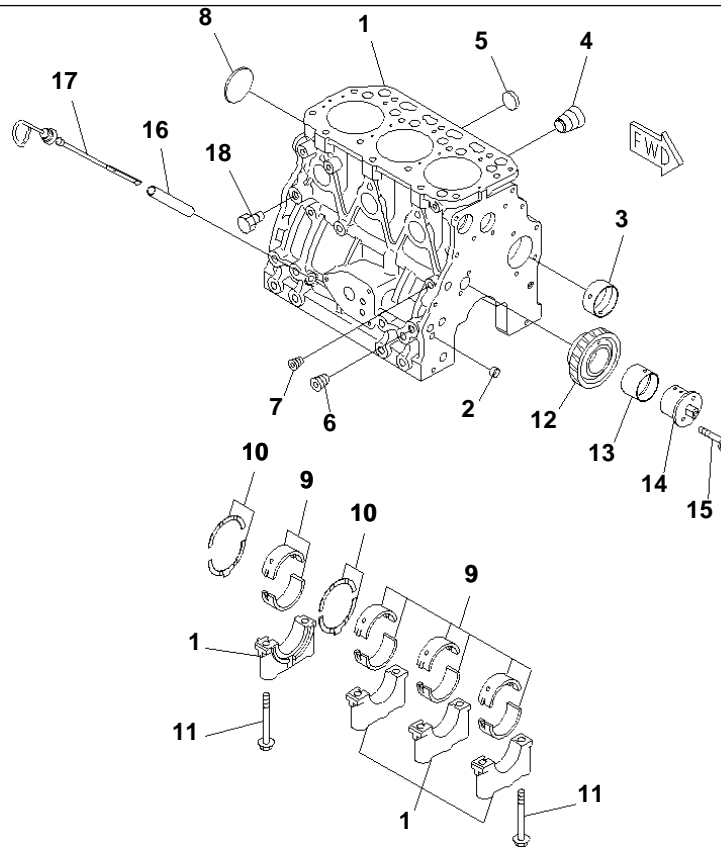
| Item | Part No.       | Description      | Qty | Options    |
|------|----------------|------------------|-----|------------|
| 1    | YM129100-13110 | MANIFOLD,EXHAUST | 1   | SN:01589-- |
| 2    | YM129150-13110 | GASKET (KIT)     | 1   | SN:01589-- |
| 3    | YM26106-080802 | BOLT             | 4   | SN:01589-- |
| 4    | YM26216-080802 | STUD             | 2   | SN:01589-- |
| 5    | YM194990-22050 | NUT              | 2   | SN:01589-- |
| 6    | YM129130-13560 | CONNECTOR        | 1   | SN:01589-- |
| 7    | YM124701-11910 | GASKET (KIT)     | 1   | SN:01589-- |
| 8    | YM129130-13510 | MUFFLER          | 1   | SN:01589-- |
| 9    | YM103954-13200 | GASKET           | 1   | SN:01589-- |
| 10   | YM129130-13660 | SUPPORT,L.H.     | 1   | SN:01589-- |
| 11   | YM129130-13650 | SUPPORT,R.H.     | 1   | SN:01589-- |
| 12   | YM129111-13670 | BAND,UPPER       | 2   | SN:01589-- |
| 13   | YM129111-13680 | BAND,LOWER       | 2   | SN:01589-- |



3D78-1F S/N 01589-UP  
CYLINDER BLOCK

| Item | Description                            | Qty | Page   |
|------|--|-----|--------|
| 10   | CYLINDER BLOCK                         | 1   | 060010 |
| 20   | GEAR CASE COVER                        | 1   | 060020 |
| 30   | OIL PAN(#06463-)                       | 1   | 060030 |
| 40   | FLYWHEEL AND FLYWHEEL HOUSING(#06463-) | 1   | 060040 |
| 50   | CRANKSHAFT                             | 1   | 060050 |
| 60   | PISTON AND CONNECTING ROD(#06463-)     | 1   | 060060 |
| 70   | CAMSHAFT AND TAPPET                    | 1   | 060070 |

3D78-1F S/N 01589-UP



PJ35084

Ref. 0201

Page 060010

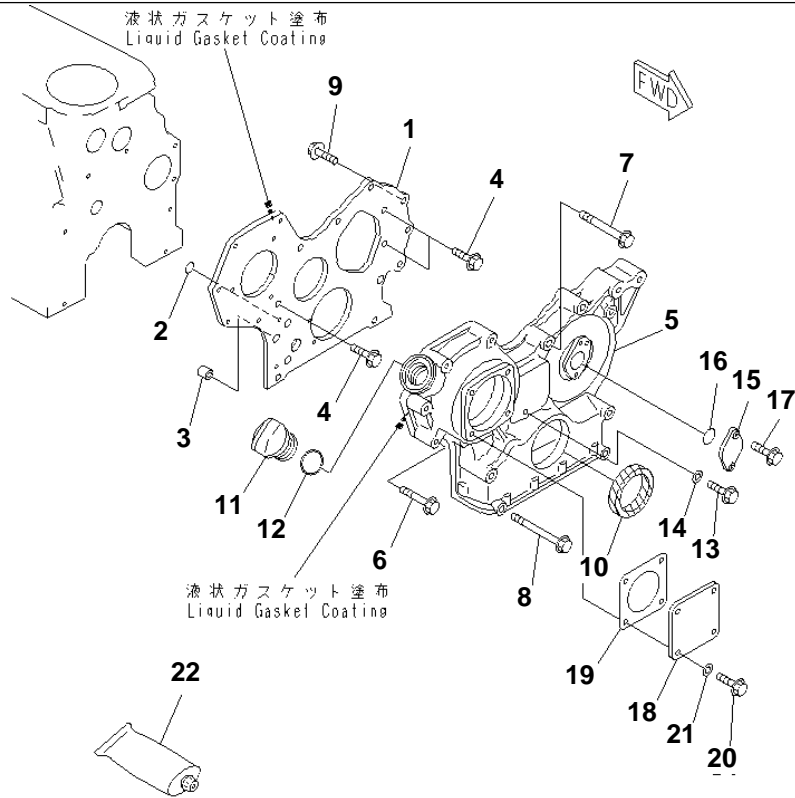
3D78-1F S/N 01589-UP  
CYLINDER BLOCK

| Item                    | Part No.       | Description          | Qty | Options    |
|-------------------------|----------------|----------------------|-----|------------|
| 1                       | YM729100-01560 | CYLINDER BLOCK A.    | 1   | SN:01589-- |
| 2                       | YM27241-120000 | · PLUG               | 2   | SN:01589-- |
| 3                       | YM129795-02411 | · BUSHING            | 1   | SN:01589-- |
| 4                       | YM171051-01921 | · PLUG               | 1   | SN:01589-- |
| 5                       | YM27241-300000 | · PLUG               | 6   | SN:01589-- |
| 6                       | YM124160-01910 | · PLUG               | 3   | SN:01589-- |
| 7                       | YM23871-010000 | · PLUG               | 1   | SN:01589-- |
| 8                       | YM27231-500000 | · PLUG               | 1   | SN:01589-- |
| <b>STANDARD</b>         |                |                      |     |            |
| 9                       | YM129150-02800 | · MAIN METAL ASS'Y   | 4   | SN:01589-- |
| <b>UNDERSIZE 0.25MM</b> |                |                      |     |            |
| 9                       | YM129150-02870 | · MAIN METAL ASS'Y   | 4   | SN:01589-- |
| <b>STANDARD</b>         |                |                      |     |            |
| 10                      | YM129150-02930 | · THRUST METAL ASS'Y | 2   | SN:01589-- |
| <b>OVERSIZE 0.25MM</b>  |                |                      |     |            |
| 10                      | YM129150-02940 | · THRUST METAL ASS'Y | 2   | SN:01589-- |
| 11                      | YM129150-02020 | · BOLT               | 8   | SN:01589-- |
| 12                      | YM129150-25101 | GEAR ASS'Y           | 1   | SN:01589-- |
| 13                      | YM129150-25061 | · BUSHING            | 1   | SN:01589-- |
| 14                      | YM129100-25061 | SHAFT                | 1   | SN:01589-- |
| 15                      | YM26106-080452 | BOLT                 | 2   | SN:01589-- |
| 16                      | YM121520-34810 | GUIDE,LEVEL GAUGE    | 1   | SN:01589-- |
| 17                      | YM171420-34800 | GAUGE,LEVEL          | 1   | SN:01589-- |
| 18                      | YM171056-49120 | PLUG,DRAIN           | 1   | SN:01589-- |

Ref. 0201

Page 060010

3D78-1F S/N 01589-UP



PJ35085

Ref. 0205

Page 060020

3D78-1F S/N 01589-UP  
GEAR CASE COVER

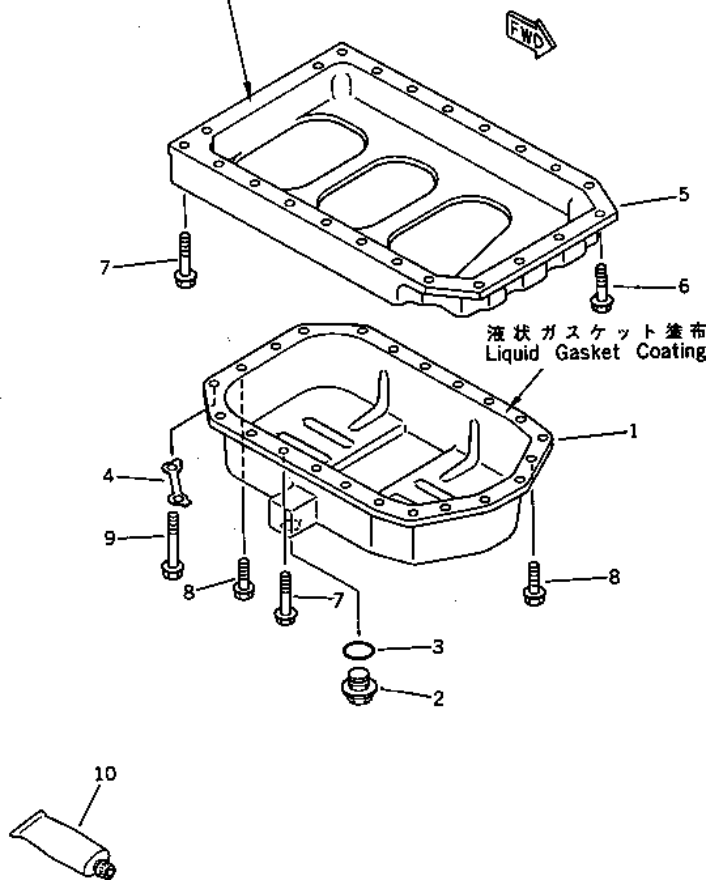
| Item | Part No.       | Description             | Qty | Options         |
|------|----------------|-------------------------|-----|-----------------|
| 1    | YM129400-01520 | FLANGE,GEAR HOUSING     | 1   | SN:01589--      |
| 2    | YM24311-000160 | O-RING                  | 2   | SN:01589--      |
| 3    | YM129795-01950 | PIPE,KNOCK              | 2   | SN:01589--      |
| 4    | YM26106-080162 | BOLT                    | 3   | SN:01589--      |
| 5    | YM129400-01500 | CASE,GEAR               | 1   | SN:01589--      |
| 6    | YM26106-080452 | BOLT                    | 6   | SN:01589--      |
| 7    | YM26106-080552 | BOLT                    | 3   | SN:01589--      |
| 8    | YM26106-080852 | BOLT                    | 4   | SN:01589--      |
| 9    | YM26106-080202 | BOLT                    | 2   | SN:01589--      |
| 10   | YM129795-01800 | SEAL <sup>□</sup> FRONT | 1   | SN:01589--      |
| 11   | YM124160-01751 | CAP                     | 1   | SN:01589--      |
| 12   | YM24311-000320 | O-RING                  | 1   | SN:01589--      |
| 13   | YM26106-080162 | BOLT                    | 1   | SN:01589--      |
| 14   | YM43400-500410 | WASHER,SEAL             | 1   | SN:01589--      |
| 15   | YM121023-01550 | COVER                   | 1   | SN:01589--      |
| 16   | YM24341-000240 | O-RING                  | 1   | SN:05387--      |
|      | YM24311-000260 | O-RING                  | 1   | SN:01589--05386 |
| 17   | YM26106-060122 | BOLT                    | 2   | SN:01589--      |
| 18   | YM124240-01871 | COVER                   | 1   | SN:01589--      |
| 19   | YM124240-01882 | GASKET                  | 1   | SN:01589--      |
| 20   | YM26106-080122 | BOLT                    | 4   | SN:01589--      |
| 21   | YM43400-500410 | WASHER,SEAL             | 4   | SN:01589--      |
| 22   | YM977770-01212 | LIQUID GASKET           | 1   | SN:01589--      |

Ref. 0205

Page 060020

3D78-1F S/N 01589-UP

液状ガスケット塗布  
Liquid Gasket Coating



Ref. 0212

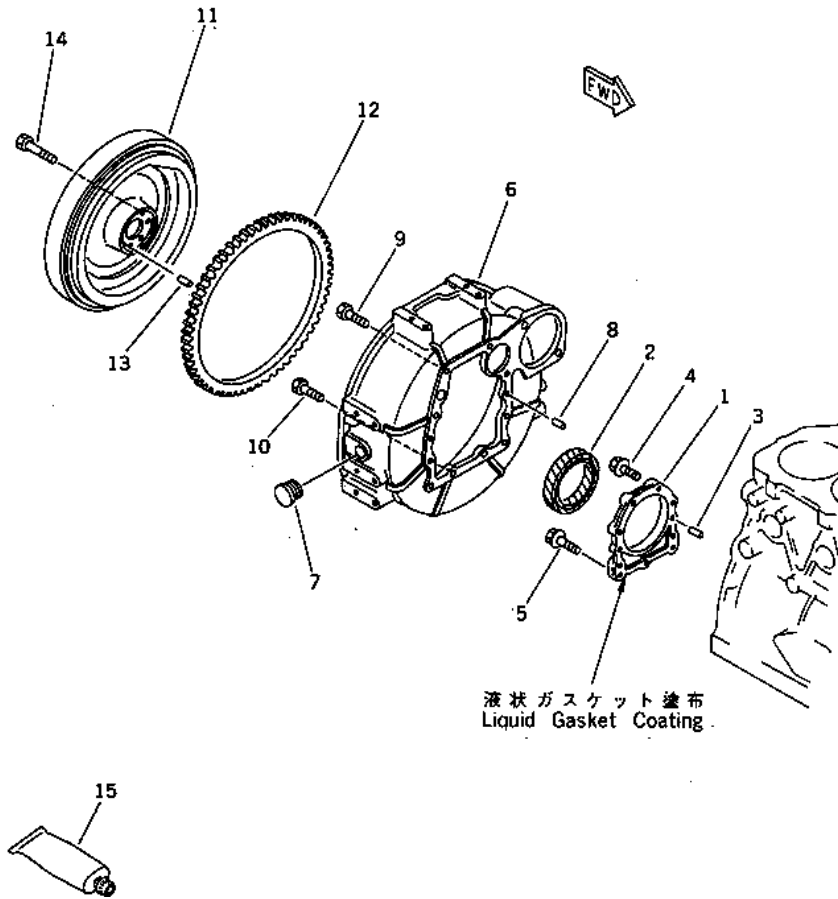
Page 060030

3D78-1F S/N 01589-UP  
OIL PAN(#06463-)

| Item | Part No.         | Description    | Qty | Options    |
|------|------------------|----------------|-----|------------|
| 1    | YM729130-01540   | OIL PAN ASS'Y  | 1   | SN:06463-- |
| 2    | YM105425-01690   | · PLUG         | 1   | SN:06463-- |
| 3    | YM43400-500490   | · WASHER, SEAL | 1   | SN:06463-- |
| 4    | YM129100-01790   | · PLATE        | 2   | SN:06463-- |
| 5    | YM129100-01730   | SPACER         | 1   | SN:06463-- |
| 6    | YM26106-080252   | BOLT           | 2   | SN:06463-- |
| 7    | YM26106-080452   | BOLT           | 16  | SN:06463-- |
| 8    | YM26106-080162   | BOLT           | 4   | SN:06463-- |
| 9    | YM26106-080502   | BOLT           | 4   | SN:06463-- |
| 10   | (YM977770-01212) | LIQUID GASKET  | 1   | SN:06463-- |

Ref. 0212

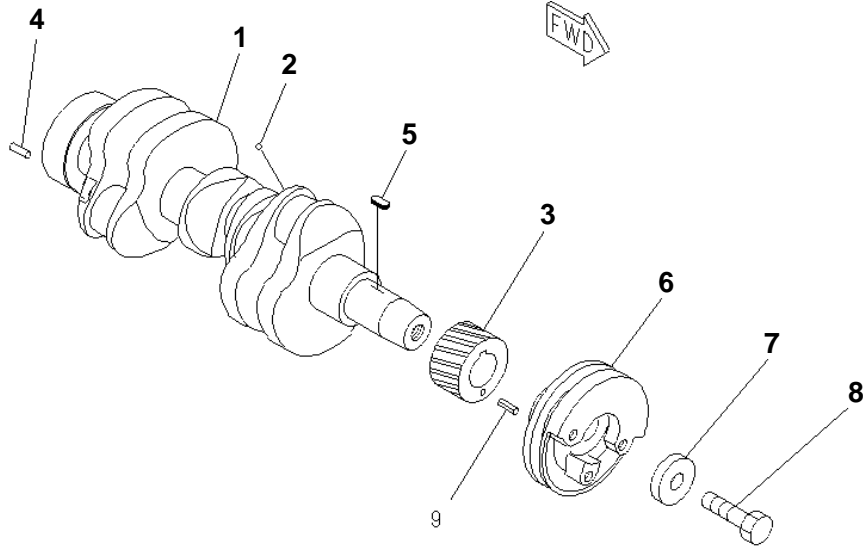
Page 060030



**3D78-1F S/N 01589-UP  
FLYWHEEL AND FLYWHEEL HOUSING(#06463-)**

| Item | Part No.         | Description      | Qty | Options    |
|------|------------------|------------------|-----|------------|
| 1    | YM129150-01650   | CASE             | 1   | SN:06463-- |
| 2    | YM129795-01780   | SEAL REAR        | 1   | SN:06463-- |
| 3    | YM129100-01580   | PIN,DOWEL        | 2   | SN:06463-- |
| 4    | YM26106-080302   | BOLT             | 6   | SN:06463-- |
| 5    | YM26106-080352   | BOLT             | 3   | SN:06463-- |
| 6    | YM171301-01600   | HOUSING,FLYWHEEL | 1   | SN:06463-- |
| 7    | YM119620-01750   | CAP,FILLER       | 1   | SN:06463-- |
| 8    | YM129100-01580   | PIN              | 2   | SN:06463-- |
| 9    | YM26206-100252   | BOLT             | 6   | SN:06463-- |
| 10   | YM26206-100302   | BOLT             | 4   | SN:06463-- |
| 11   | YM129130-21590   | FLYWHEEL ASS'Y   | 1   | SN:06463-- |
| 12   | YM119865-21600   | GEAR,RING        | 1   | SN:06463-- |
| 13   | YM129100-01580   | PIN,DOWEL        | 1   | SN:06463-- |
| 14   | YM121111-21501   | BOLT             | 6   | SN:06463-- |
| 15   | (YM977770-01212) | LIQUID GASKET    | 1   | SN:06463-- |

3D78-1F S/N 01589-UP



PJ30485

Ref. 0231

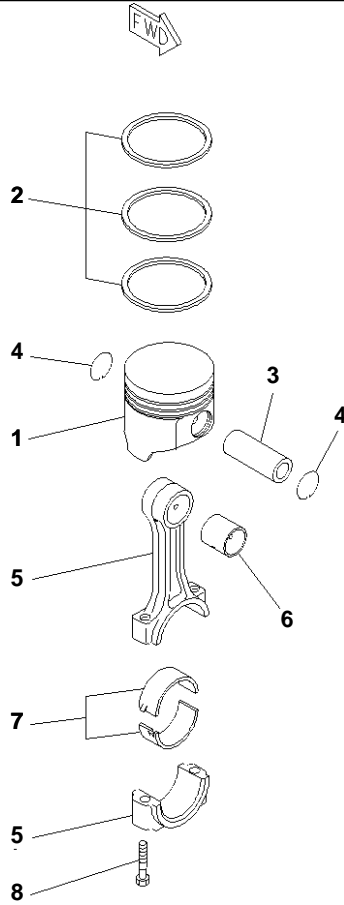
Page 060050

3D78-1F S/N 01589-UP  
CRANKSHAFT

| Item | Part No.       | Description      | Qty | Options         |
|------|----------------|------------------|-----|-----------------|
| 1    | YM729102-21700 | CRANKSHAFT ASS'Y | 1   | SN:04758--      |
|      | YM729150-21700 | CRANKSHAFT ASS'Y | 1   | SN:01589--04757 |
| 2    | YM24190-080001 | · BALL           | 3   | SN:01589--      |
| 3    | YM129150-21200 | · GEAR,CRANK     | 1   | SN:01589--      |
| 4    | YM22351-040010 | · PIN,SPRING     | 1   | SN:01589--      |
| 5    | YM22512-070140 | · KEY            | 1   | SN:01589--      |
| 6    | YM171340-21650 | PULLEY,CRANK     | 1   | SN:01589--      |
| 7    | YM129795-21661 | WASHER           | 1   | SN:01589--      |
| 8    | YM121850-21680 | BOLT             | 1   | SN:01589--      |

Ref. 0231

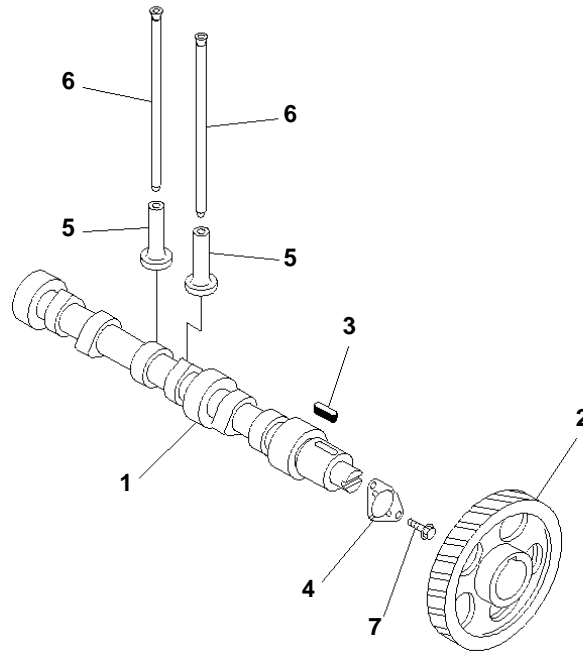
Page 060050



PJ30486

3D78-1F S/N 01589-UP  
**PISTON AND CONNECTING ROD(#06463-)**

| Item                    | Part No.       | Description          | Qty | Options    |
|-------------------------|----------------|----------------------|-----|------------|
| <b>STANDARD</b>         |                |                      |     |            |
| 1                       | YM129100-22080 | PISTON ASS'Y         | 3   | SN:06463-- |
| 2                       | YM729100-22500 | · PISTON RING ASS'Y  | 1   | SN:06463-- |
| <b>OVERSIZE 0.25MM</b>  |                |                      |     |            |
| 1                       | YM729100-22900 | PISTON ASS'Y         | 3   | SN:06463-- |
| 2                       | YM729555-22950 | · PISTON RING ASS'Y  | 1   | SN:06463-- |
| 3                       | YM129150-22300 | PIN,PISTON           | 3   | SN:06463-- |
| 4                       | YM121100-22400 | RING,SNAP            | 6   | SN:06463-- |
| 5                       | YM729150-23700 | CONNECTING ROD A.    | 3   | SN:06463-- |
| 6                       | YM129100-23910 | · BUSHING            | 1   | SN:06463-- |
| <b>STANDARD</b>         |                |                      |     |            |
| 7                       | YM129150-23600 | · CRANK PIN METAL A. | 1   | SN:06463-- |
| <b>UNDERSIZE 0.25MM</b> |                |                      |     |            |
| 7                       | YM129150-23610 | · CRANK PIN METAL A. | 1   | SN:06463-- |
| 8                       | YM121550-23200 | · BOLT               | 2   | SN:06463-- |



PJ30487

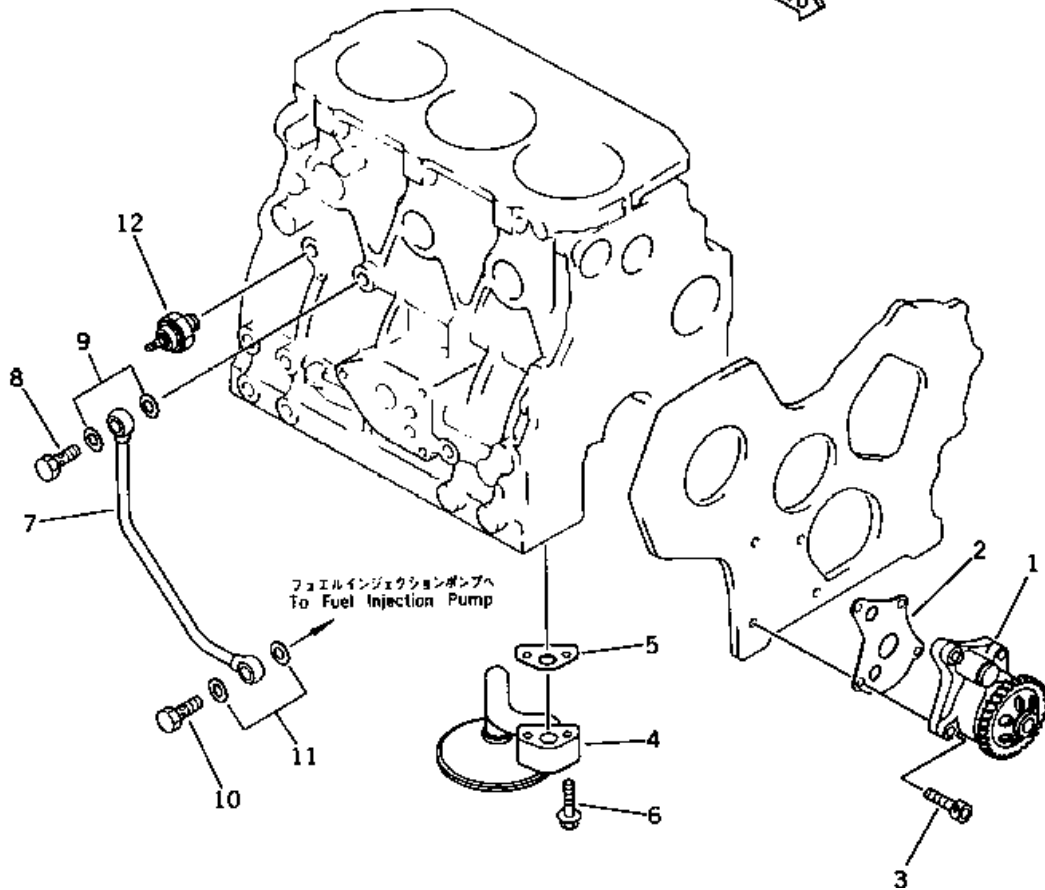
**3D78-1F S/N 01589-UP  
CAMSHAFT AND TAPPET**

| Item | Part No.       | Description         | Qty | Options    |
|------|----------------|---------------------|-----|------------|
| 1    | YM129150-14011 | CAMSHAFT            | 1   | SN:01589-- |
| 2    | YM129150-14101 | GEAR ASS'Y,CAMSHAFT | 1   | SN:01589-- |
| 3    | YM22512-070140 | KEY                 | 1   | SN:01589-- |
| 4    | YM129150-14200 | TAPPET              | 6   | SN:01589-- |
| 5    | YM129150-14400 | ROD,PUSH            | 6   | SN:01589-- |
| 6    | YM129150-02450 | METAL,THRUST        | 1   | SN:01589-- |
| 7    | YM26106-080162 | BOLT                | 2   | SN:01589-- |



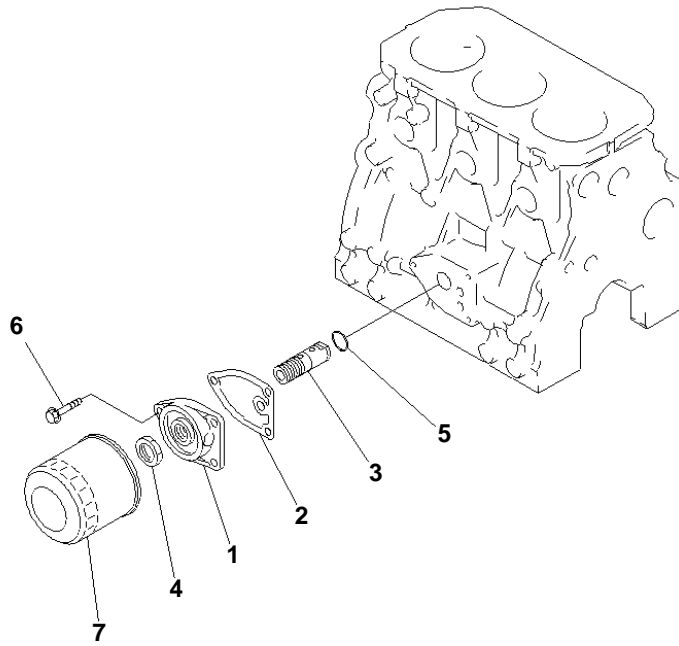
**3D78-1F S/N 01589-UP  
LUBRICATING OIL SYSTEM**

| Item | Description                              | Qty | Page   |
|------|--|-----|--------|
| 10   | LUBRICATING OIL PUMP AND PIPING(#06463-) | 1   | 090010 |
| 20   | LUBRICATING OIL FILTER                   | 1   | 090020 |



3D78-1F S/N 01589-UP  
**LUBRICATING OIL PUMP AND PIPING(#06463-)**

| Item | Part No.       | Description         | Qty | Options    |
|------|----------------|---------------------|-----|------------|
| 1    | YM129150-32000 | PUMP                | 1   | SN:06463-- |
| 2    | YM129150-32020 | GASKET              | 1   | SN:06463-- |
| 3    | YM26450-060252 | BOLT                | 4   | SN:06463-- |
| 4    | YM129150-35091 | PIPE ASS'Y          | 1   | SN:06463-- |
| 5    | YM129150-35040 | GASKET              | 1   | SN:06463-- |
| 6    | YM26106-080352 | BOLT                | 2   | SN:06463-- |
| 7    | YM129150-39450 | PIPE                | 1   | SN:06463-- |
| 8    | YM124160-39140 | BOLT,JOINT          | 1   | SN:06463-- |
| 9    | YM23414-100000 | GASKET,RING         | 2   | SN:06463-- |
| 10   | YM124550-59820 | BOLT,JOINT          | 1   | SN:06463-- |
| 11   | YM23414-080000 | GASKET              | 2   | SN:06463-- |
| 12   | YM124160-39450 | SWITCH,OIL PRESSURE | 1   | SN:06463-- |



PJ30483

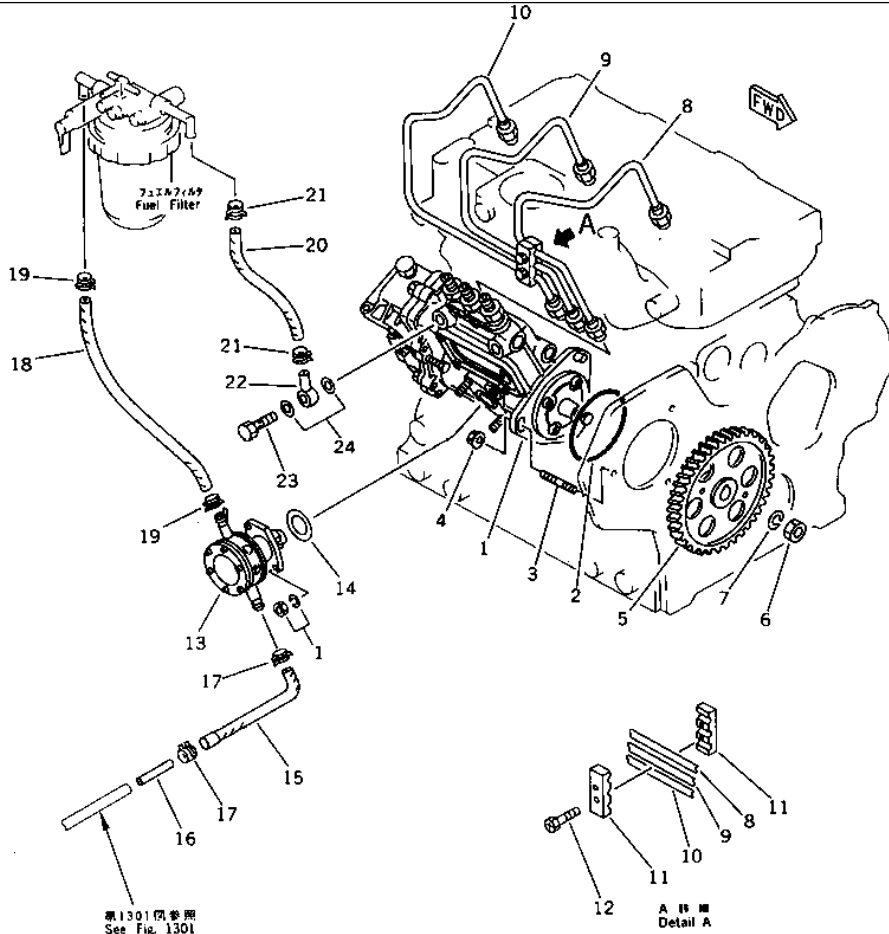
3D78-1F S/N 01589-UP  
LUBRICATING OIL FILTER

| Item | Part No.       | Description | Qty | Options    |
|------|----------------|-------------|-----|------------|
| 1    | YM129150-35101 | BRACKET     | 1   | SN:01589-- |
| 2    | YM129150-35110 | GASKET      | 1   | SN:01589-- |
| 3    | YM119865-35300 | VALVE       | 1   | SN:01589-- |
| 4    | YM129150-35350 | NUT         | 1   | SN:01589-- |
| 5    | YM24311-000160 | O-RING      | 1   | SN:01589-- |
| 6    | YM26106-080202 | BOLT        | 3   | SN:01589-- |
| 7    | YM129150-35150 | CARTRIDGE   | 1   | SN:01589-- |

3D78-1F S/N 01589-UP

**FUEL SYSTEM**

| Item | Description                             | Qty | Page   |
|------|---|-----|--------|
| 10   | FUEL INJECTION PUMP AND PIPING(#06463-) | 1   | 120010 |
| 20   | ENGINE STOP MOTOR(#06463-)              | 1   | 120020 |
| 30   | FUEL FILTER                             | 1   | 120030 |
| 40   | FUEL NOZZLE AND SPILL PIPE(#06463-)     | 1   | 120040 |
| 50   | FUEL INJECTION PUMP(#06463-)            | 1   | 120050 |
| 60   | GOVERNOR(#06463-)                       | 1   | 120060 |



Ref. 0402

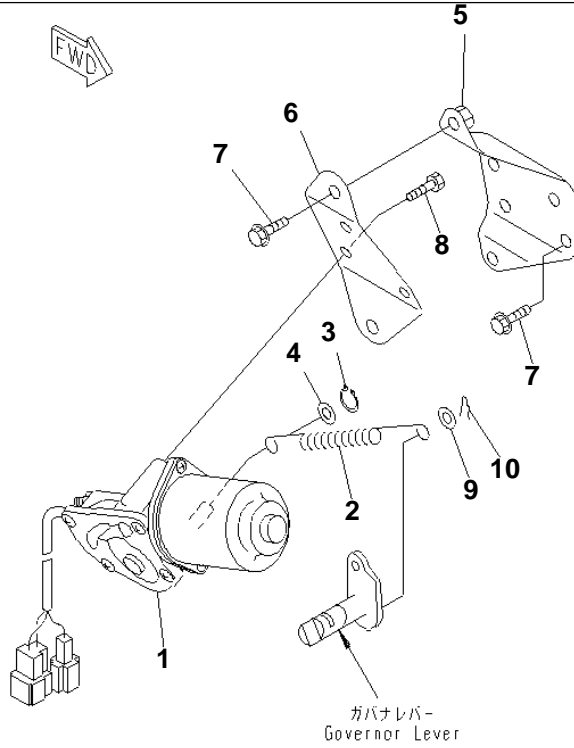
Page 120010

3D78-1F S/N 01589-UP  
**FUEL INJECTION PUMP AND PIPING(#06463-)**

| Item | Part No.         | Description                         | Qty | Options    |
|------|------------------|-------------------------------------|-----|------------|
| 1    | (YM729130-51361) | INJECTION PUMP A.,(SEE FIG.0452)    | 1   | SN:06463-- |
| 2    | YM121850-51960   | O-RING                              | 1   | SN:06463-- |
| 3    | YM121450-01560   | STUD                                | 3   | SN:06463-- |
| 4    | YM26366-080002   | NUT                                 | 3   | SN:06463-- |
| 5    | YM129150-25900   | GEAR,INJECTION PUMP                 | 1   | SN:06463-- |
| 6    | YM26716-120002   | NUT                                 | 1   | SN:06463-- |
| 7    | YM22217-120000   | WASHER                              | 1   | SN:06463-- |
| 8    | YM129100-59930   | PIPE,INJECTION# NO.1                | 1   | SN:06463-- |
| 9    | YM129100-59920   | PIPE,INJECTION# NO.2                | 1   | SN:06463-- |
| 10   | YM129100-59910   | PIPE,INJECTION# NO.3                | 1   | SN:06463-- |
| 11   | YM129150-59120   | CLAMP ASS'Y                         | 1   | SN:06463-- |
| 12   | YM129150-59130   | · BOLT                              | 2   | SN:06463-- |
| 13   | YM129100-52100   | FEED PUMP ASS'Y,(ASS'Y SUPPLY ONLY) | 1   | SN:06463-- |
| 14   | YM129155-52050   | GASKET                              | 1   | SN:06463-- |
|      | YM119840-59601   | BEND ASS'Y                          | 1   | SN:06463-- |
| 15   | YM119840-59611   | · BEND                              | 1   | SN:06463-- |
| 16   | YM119840-59621   | · JOINT                             | 1   | SN:06463-- |
| 17   | YM124766-59050   | · CLAMP                             | 2   | SN:06463-- |
| 18   | YM129255-59580   | HOSE,FUEL                           | 1   | SN:06463-- |
| 19   | YM23000-013000   | CLAMP                               | 2   | SN:06463-- |
| 20   | YM129555-59510   | HOSE,FUEL                           | 1   | SN:06463-- |
| 21   | YM23000-013000   | CLAMP                               | 2   | SN:06463-- |
| 22   | YM101304-59020   | JOINT                               | 1   | SN:06463-- |
| 23   | YM103854-39140   | BOLT,JOINT                          | 1   | SN:06463-- |
| 24   | YM104200-59170   | GASKET                              | 2   | SN:06463-- |

Ref. 0402

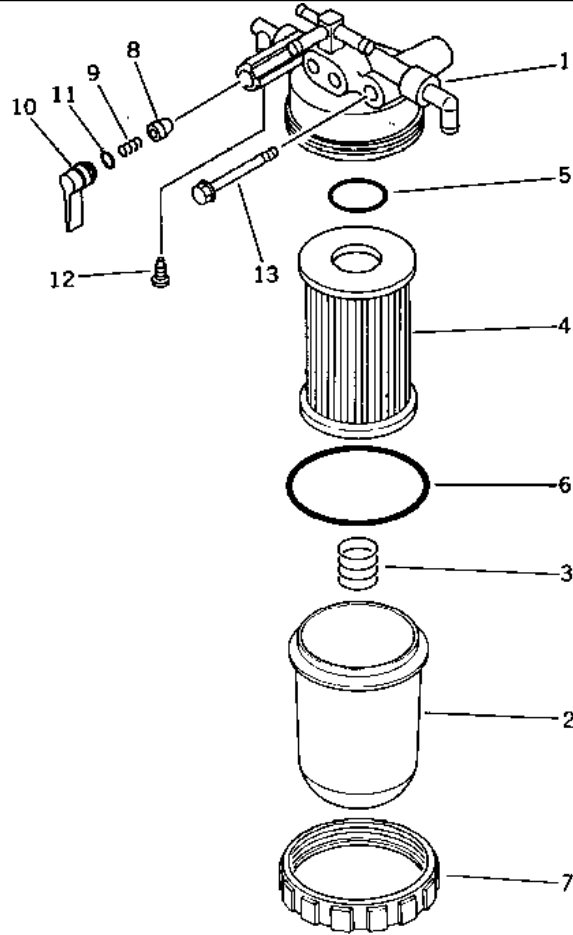
Page 120010



3D78-1F S/N 01589-UP  
ENGINE STOP MOTOR(#06463-)

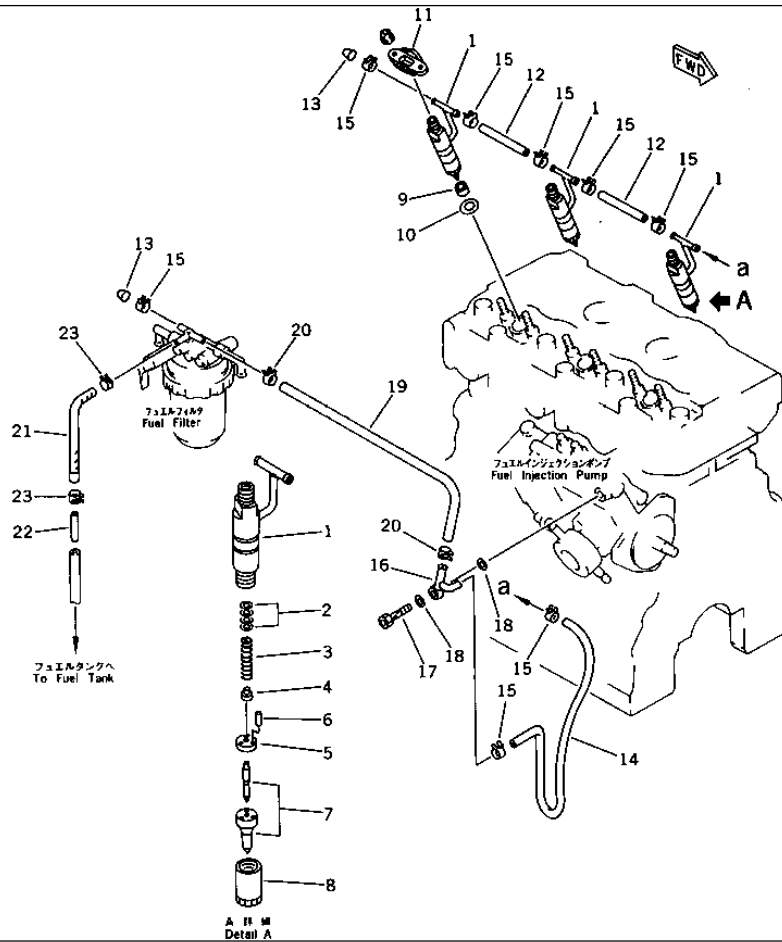
| Item | Part No.       | Description | Qty | Options    |
|------|----------------|-------------|-----|------------|
| 1    | YM129107-66791 | MOTOR ASS'Y | 1   | SN:06463-- |
| 2    | YM129107-66830 | · SPRING    | 1   | SN:06463-- |
| 3    | YM129566-66880 | · RING,SNAP | 1   | SN:06463-- |
| 4    | YM129566-66890 | · WASHER    | 1   | SN:06463-- |
| 5    | YM129107-66810 | BRACKET     | 1   | SN:06463-- |
| 6    | YM129107-66820 | BRACKET     | 1   | SN:06463-- |
| 7    | YM26106-080122 | BOLT        | 4   | SN:06463-- |
| 8    | YM26116-050102 | BOLT        | 3   | SN:06463-- |
| 9    | YM22117-080000 | WASHER      | 1   | SN:06463-- |
| 10   | YM22360-080000 | PIN,SNAP    | 1   | SN:06463-- |

3D78-1F S/N 01589-UP



3D78-1F S/N 01589-UP  
FUEL FILTER

| Item | Part No.       | Description       | Qty | Options         |
|------|----------------|-------------------|-----|-----------------|
| 1    | YM129100-55621 | FUEL FILTER ASS'Y | 1   | SN:01589--      |
| 2    | YM129100-55680 | · CUP             | 1   | SN:01589--      |
| 3    | YM129100-55700 | · SPRING          | 1   | SN:01589--      |
| 4    | YM129100-55650 | · ELEMENT         | 1   | SN:01589--      |
| 5    | YM24311-000160 | · O-RING          | 1   | SN:01589--      |
| 6    | YM24321-000650 | · O-RING          | 1   | SN:01589--      |
| 7    | YM129100-55690 | · RING,RETAINING  | 1   | SN:01589--      |
| 8    | YM104200-55321 | · VALVE           | 1   | SN:01589--      |
| 9    | YM104200-55330 | · SPRING          | 1   | SN:01589--      |
| 10   | YM129100-55670 | · LEVER           | 1   | SN:01589--      |
| 11   | YM24311-240100 | · O-RING          | 1   | SN:01589--      |
| 12   | YM104200-55750 | · SCREW           | 1   | SN:01589--      |
| 13   | YM26014-080702 | BOLT              | 1   | SN:04493--      |
|      | YM26106-080652 | BOLT              | 1   | SN:01589--04492 |

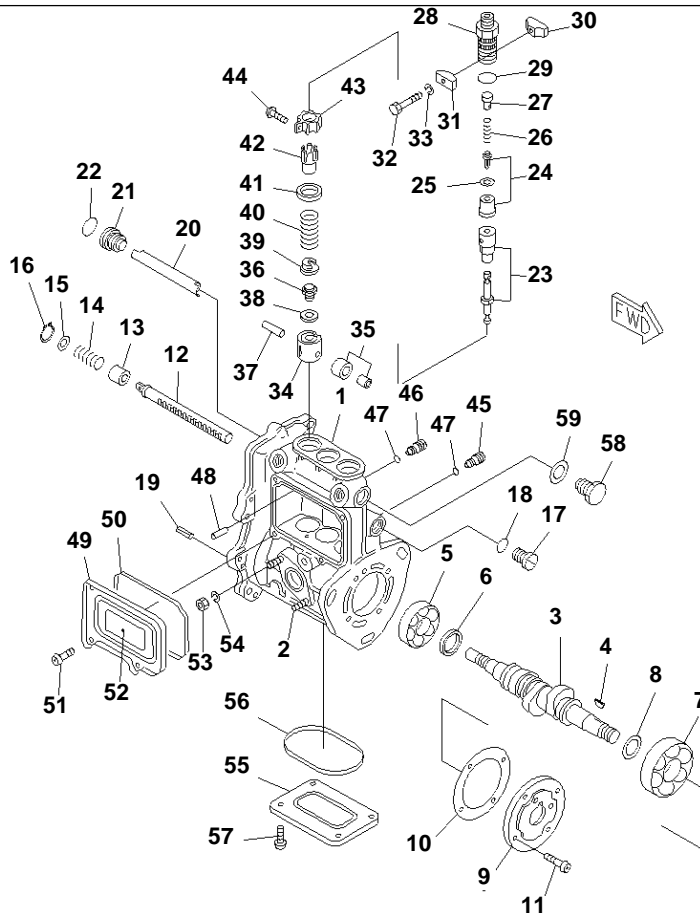


3D78-1F S/N 01589-UP  
**FUEL NOZZLE AND SPILL PIPE(#06463-)**

| Item | Part No.       | Description       | Qty | Options    |
|------|----------------|-------------------|-----|------------|
|      | YM729102-53100 | FUEL NOZZLE ASS'Y | 3   | SN:06463-- |
| 1    | YM129100-53100 | · HOLDER          | 1   | SN:06463-- |
| 2    | YM114250-53400 | · SHIM ASS'Y      | AR  | SN:06463-- |
| 3    | YM114250-53120 | · SPRING          | 1   | SN:06463-- |
| 4    | YM114250-53130 | · SEAT            | 1   | SN:06463-- |
| 5    | YM114250-53140 | · PLATE,STOP      | 1   | SN:06463-- |
| 6    | YM114250-53210 | · PIN             | 2   | SN:06463-- |
| 7    | YM129102-53000 | · NOZZLE          | 1   | SN:06463-- |
| 8    | YM114250-53080 | · NUT             | 1   | SN:06463-- |
| 9    | YM119625-11870 | PROTECTOR         | 3   | SN:06463-- |
| 10   | YM119625-11880 | SEAT,NOZZLE       | 3   | SN:06463-- |
| 11   | YM119625-11900 | RETAINER,NOZZLE   | 3   | SN:06463-- |
| 12   | YM121250-59550 | HOSE              | 2   | SN:06463-- |
| 13   | YM129150-59580 | CAP               | 2   | SN:06463-- |
| 14   | YM119840-59560 | HOSE              | 1   | SN:06463-- |
| 15   | YM124066-59100 | CLAMP             | 8   | SN:06463-- |
| 16   | YM119840-59570 | JOINT             | 1   | SN:06463-- |
| 17   | YM129100-59951 | CHECK VALVE ASS'Y | 1   | SN:06463-- |
| 18   | YM23414-120000 | GASKET            | 2   | SN:06463-- |
| 19   | YM129555-59510 | HOSE              | 1   | SN:06463-- |
| 20   | YM23000-013000 | CLAMP             | 2   | SN:06463-- |
|      | YM119840-59601 | BEND ASS'Y        | 1   | SN:06463-- |
| 21   | YM119840-59611 | · BEND            | 1   | SN:06463-- |
| 22   | YM119840-59621 | · JOINT           | 1   | SN:06463-- |
| 23   | YM124766-59050 | · CLAMP           | 2   | SN:06463-- |



3D78-1F S/N 01589-UP



PG 3 P 2 8 7

Ref. 0452

Page 120050

3D78-1F S/N 01589-UP  
**FUEL INJECTION PUMP(#06463-)**

| Item  | Part No.       | Description        | Qty | Options    |
|---|----------------|--------------------|-----|------------|
| 1   | YM729130-51361 | INJECTION PUMP A.  | 1   | SN:06463-- |
| THIS ASSEMBLY CONSISTS OF ALL PARTS SHOWN IN FIGS.0452 TO 0482. |                |                    |     |            |
| 2   | YM129155-51020 | • STUD             | 2   | SN:06463-- |
| 3   | YM119810-51040 | • CAMSHAFT         | 1   | SN:06463-- |
| 4   | YM122710-51090 | • KEY              | 1   | SN:06463-- |
| 5   | YM129155-51050 | • BEARING          | 1   | SN:06463-- |
| 6   | YM129155-51930 | • SPACER# 3.25MM   | 1   | SN:06463-- |
| 7   | YM24101-063034 | • BEARING,BALL     | 1   | SN:06463-- |
| 8   | YM129155-51940 | • SPACER# 1.5MM    | 1   | SN:06463-- |
| 9   | YM129155-51060 | • RETAINER,BEARING | 1   | SN:06463-- |
| 10  | YM129155-51450 | • GASKET           | 1   | SN:06463-- |
| 11  | YM26022-060162 | • SCREW            | 4   | SN:06463-- |
| 12  | YM129155-51500 | • RACK,CONTROL     | 1   | SN:06463-- |
| 13  | YM129155-51521 | • BUSHING          | 1   | SN:06463-- |
| 14  | YM129155-51591 | • SPRING           | 1   | SN:06463-- |
| 15  | YM129155-51530 | • SPACER           | 1   | SN:06463-- |
| 16  | YM129155-51540 | • RING,SNAP        | 1   | SN:06463-- |
| 17  | YM129155-51570 | • PLUG             | 1   | SN:06463-- |
| 18  | YM129155-51580 | • O-RING           | 1   | SN:06463-- |
| 19  | YM22351-050010 | • PIN,SPRING       | 2   | SN:06463-- |
| 20  | YM129155-51400 | • DEFLECTOR        | 1   | SN:06463-- |
| 21  | YM129155-51410 | • BOLT             | 1   | SN:06463-- |
| 22  | YM24341-000160 | • O-RING           | 2   | SN:06463-- |
| 23  | YM129400-51100 | • PLUNGER ASS'Y    | 3   | SN:06463-- |
| 24  | YM128170-51300 | • VALVE,DELIVERY   | 3   | SN:06463-- |
| 25  | YM124550-51350 | • GASKET           | 3   | SN:06463-- |
| 26  | YM129155-51320 | • SPRING           | 3   | SN:06463-- |

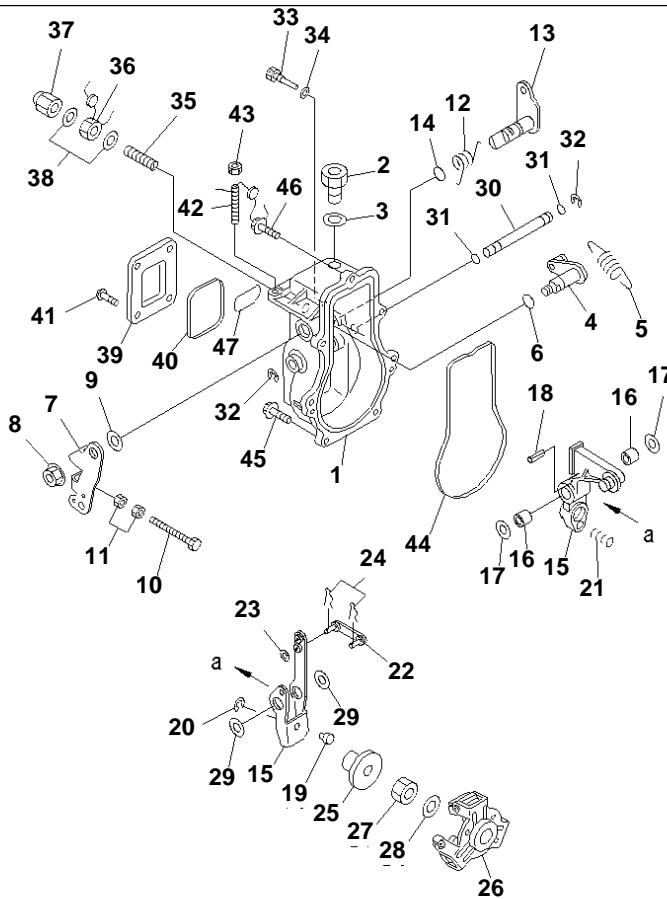
Ref. 0452

Page 120050

**3D78-1F S/N 01589-UP**  
**FUEL INJECTION PUMP(#06463-)**

| Item | Part No.       | Description          | Qty | Options    |
|------|----------------|----------------------|-----|------------|
| 27   | YM129155-51370 | · STOPPER            | 3   | SN:06463-- |
| 28   | YM129155-51340 | · HOLDER             | 3   | SN:06463-- |
| 29   | YM124550-51370 | · O-RING             | 3   | SN:06463-- |
| 30   | YM129155-51380 | · STOPPER            | 2   | SN:06463-- |
| 31   | YM129155-51390 | · STOPPER            | 2   | SN:06463-- |
| 32   | YM26116-050302 | · BOLT               | 2   | SN:06463-- |
| 33   | YM22217-050000 | · WASHER             | 2   | SN:06463-- |
| 34   | YM129155-51200 | · TAPPET ASS'Y       | 3   | SN:06463-- |
| 35   | YM711100-51540 | · · TAPPET ROLLER A. | 1   | SN:06463-- |
| 36   | YM129155-51250 | · · BOLT,ADJUSTING   | 1   | SN:06463-- |
| 37   | YM174100-54120 | · · PIN              | 1   | SN:06463-- |
| 38   | YM129155-51600 | · SHIM ASS'Y         | 3   | SN:06463-- |
| 39   | YM129155-51180 | · RETAINER,SPRING    | 3   | SN:06463-- |
| 40   | YM124950-51190 | · SPRING,PLUNGER     | 3   | SN:06463-- |
| 41   | YM174307-51170 | · SEAT               | 3   | SN:06463-- |
| 42   | YM129155-51550 | · PINION             | 3   | SN:06463-- |
| 43   | YM174307-51560 | · PINION             | 3   | SN:06463-- |
| 44   | YM122117-51560 | · SCREW              | 3   | SN:06463-- |
| 45   | YM129155-51270 | · STOPPER,TAPPET     | 3   | SN:06463-- |
| 46   | YM129155-51790 | · STOPPER,RACK       | 1   | SN:06463-- |
| 47   | YM129155-51280 | · O-RING             | 4   | SN:06463-- |
| 48   | YM129155-51140 | · PIN,BARREL         | 3   | SN:06463-- |
| 49   | YM129155-51750 | · COVER              | 1   | SN:06463-- |
| 50   | YM129155-51760 | · GASKET             | 1   | SN:06463-- |
| 51   | YM26022-050102 | · SCREW              | 4   | SN:06463-- |
| 52   | YM129156-51910 | · PLATE# CAUTION     | 1   | SN:06463-- |
| 53   | YM26716-060002 | · NUT                | 2   | SN:06463-- |
| 54   | YM22217-060000 | · WASHER             | 2   | SN:06463-- |
| 55   | YM129155-51700 | · COVER              | 1   | SN:06463-- |
| 56   | YM129155-51710 | · GASKET             | 1   | SN:06463-- |
| 57   | YM26022-050102 | · SCREW              | 4   | SN:06463-- |
| 58   | YM129155-51420 | · PLUG               | 1   | SN:06463-- |
| 59   | YM43400-500490 | · WASHER,SEAL        | 1   | SN:06463-- |

3D78-1F S/N 01589-UP



PD3P420

Ref. 0462

Page 120060

3D78-1F S/N 01589-UP  
GOVERNOR(#06463-)

| Item  | Part No.         | Description           | Qty | Options    |
|---|------------------|-----------------------|-----|------------|
|   | (YM729130-51361) | INJECTION PUMP A.     | 1   | SN:06463-- |
| THIS ASSEMBLY CONSISTS OF ALL PARTS SHOWN IN FIGS.0452 TO 0482. |                  |                       |     |            |
| 1   | YM129155-61011   | · CASE,GOVERNOR       | 1   | SN:06463-- |
| 2   | YM23887-100002   | · PLUG                | 1   | SN:06463-- |
| 3   | YM22190-100000   | · SEAL,SEAL           | 1   | SN:06463-- |
| 4   | YM129100-61400   | · SHAFT ASS'Y         | 1   | SN:06463-- |
| 5   | YM171353-61720   | · SPRING,GOVERNOR     | 1   | SN:06463-- |
| 6   | YM129155-61830   | · O-RING              | 1   | SN:06463-- |
| 7   | YM129100-61440   | · LEVER,CONTROL       | 1   | SN:06463-- |
| 8   | YM26366-080002   | · NUT                 | 1   | SN:06463-- |
| 9   | YM129155-61430   | · SPACER              | 1   | SN:06463-- |
| 10  | YM129155-61460   | · BOLT                | 1   | SN:06463-- |
| 11  | YM26756-060002   | · NUT                 | 2   | SN:06463-- |
| 12  | YM129100-61821   | · SPRING              | 1   | SN:06463-- |
| 13  | YM129255-61802   | · LEVER ASS'Y         | 1   | SN:06463-- |
| 14  | YM24311-240100   | · O-RING              | 1   | SN:06463-- |
| 15  | YM129500-61500   | · LEVER ASS'Y         | 1   | SN:06463-- |
| 16  | YM129155-61530   | · BUSHING ASS'Y       | 2   | SN:06463-- |
| 17  | YM174307-51700   | · SHIM ASS'Y          | 2   | SN:06463-- |
| 18  | YM22351-030016   | · PIN,SPRING          | 1   | SN:06463-- |
| 19  | YM129155-61540   | · SHIFTER             | 1   | SN:06463-- |
| 20  | YM22272-000040   | · RING                | 1   | SN:06463-- |
| 21  | YM129100-61650   | · SPRING,FUEL CONTROL | 1   | SN:06463-- |
| 22  | YM129155-61120   | · LINK L=30.0         | 1   | SN:06463-- |
|   | YM129155-61140   | · LINK L=30.5         | 1   | SN:06463-- |
|   | YM129155-61130   | · LINK L=31.0         | 1   | SN:06463-- |
| 23  | YM22117-040000   | · WASHER              | 1   | SN:06463-- |

Ref. 0462

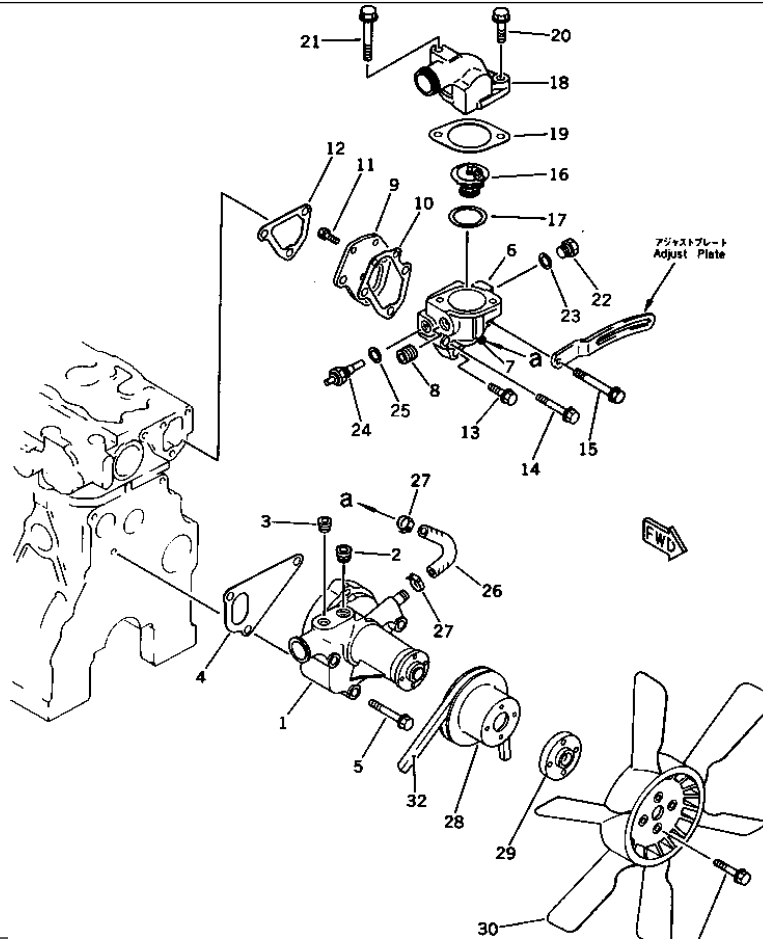
Page 120060

**3D78-1F S/N 01589-UP  
GOVERNOR(#06463-)**

| Item | Part No.       | Description              | Qty | Options    |
|------|----------------|--------------------------|-----|------------|
| 24   | YM22360-040000 | · PIN,SNAP               | 2   | SN:06463-- |
| 25   | YM129155-61341 | · SLEEVE $\alpha$ L=25.5 | 1   | SN:06463-- |
| 26   | YM129155-61201 | · WEIGHT ASS'Y           | 1   | SN:06463-- |
| 27   | YM26776-120002 | · NUT                    | 1   | SN:06463-- |
| 28   | YM22287-120000 | · WASHER,LOCK            | 1   | SN:06463-- |
| 29   | YM129155-61480 | · SPACER                 | 2   | SN:06463-- |
| 30   | YM129155-61490 | · SHAFT                  | 1   | SN:06463-- |
| 31   | YM129155-51280 | · O-RING                 | 2   | SN:06463-- |
| 32   | YM22272-000060 | · RING                   | 2   | SN:06463-- |
| 33   | YM129155-61810 | · PIN,STOP LEVER         | 1   | SN:06463-- |
| 34   | YM23414-050000 | · GASKET                 | 1   | SN:06463-- |
| 35   | YM129100-61450 | · SCREW                  | 1   | SN:06463-- |
| 36   | YM26776-120002 | · NUT                    | 1   | SN:06463-- |
| 37   | YM26687-120002 | · NUT,CAP                | 1   | SN:06463-- |
| 38   | YM43400-500450 | · WASHER                 | 2   | SN:06463-- |
| 39   | YM129155-61060 | · COVER                  | 1   | SN:06463-- |
| 40   | YM129155-61070 | · GASKET                 | 1   | SN:06463-- |
| 41   | YM26022-050102 | · SCREW                  | 4   | SN:06463-- |
| 42   | YM129155-61450 | · BOLT                   | 1   | SN:06463-- |
| 43   | YM124550-66370 | · NUT                    | 1   | SN:06463-- |
| 44   | YM129155-61050 | · GASKET                 | 1   | SN:06463-- |
| 45   | YM26106-060202 | · BOLT                   | 6   | SN:06463-- |
| 46   | YM129155-61950 | · BOLT                   | 1   | SN:06463-- |
| 47   | YM129130-51961 | · PLATE $\alpha$ CAUTION | 1   | SN:06463-- |

3D78-1F S/N 01589-UP  
COOLING SYSTEM

| Item | Description                         | Qty | Page   |
|------|-------------------------------------|-----|--------|
| 10   | WATER PUMP AND COOLING FAN(#06463-) | 1   | 150010 |



3D78-1F S/N 01589-UP  
**WATER PUMP AND COOLING FAN(#06463-)**

| Item | Part No.       | Description      | Qty | Options    |
|------|----------------|------------------|-----|------------|
| 1    | YM129100-42001 | WATER PUMP ASS'Y | 1   | SN:06463-- |
| 2    | YM23871-030000 | · PLUG           | 1   | SN:06463-- |
| 3    | YM121850-11860 | PLUG             | 1   | SN:06463-- |
| 4    | YM129100-42020 | GASKET (KIT)     | 1   | SN:06463-- |
| 5    | YM26106-080602 | BOLT             | 3   | SN:06463-- |
| 6    | YM129100-49800 | HOUSING          | 1   | SN:06463-- |
| 7    | YM124770-11770 | · JOINT          | 1   | SN:06463-- |
| 8    | YM23871-030000 | · PLUG           | 1   | SN:06463-- |
| 9    | YM129100-49830 | · COVER          | 1   | SN:06463-- |
| 10   | YM129100-49820 | · GASKET         | 1   | SN:06463-- |
| 11   | YM26116-060162 | · BOLT           | 2   | SN:06463-- |
| 12   | YM129100-49840 | GASKET           | 1   | SN:06463-- |
| 13   | YM26106-080252 | BOLT             | 1   | SN:06463-- |
| 14   | YM26106-080502 | BOLT             | 1   | SN:06463-- |
| 15   | YM26106-080602 | BOLT             | 1   | SN:06463-- |
| 16   | YM129155-49800 | THERMOSTAT       | 1   | SN:06463-- |
| 17   | YM129150-49810 | GASKET           | 1   | SN:06463-- |
| 18   | YM124101-49530 | COVER            | 1   | SN:06463-- |
| 19   | YM129795-49550 | PACKING          | 1   | SN:06463-- |
| 20   | YM26106-080252 | BOLT             | 1   | SN:06463-- |
| 21   | YM26106-080652 | BOLT             | 1   | SN:06463-- |
| 22   | YM121450-42450 | PLUG             | 1   | SN:06463-- |
| 23   | YM124465-44950 | GASKET           | 1   | SN:06463-- |
| 24   | YM121250-44901 | SWITCH           | 1   | SN:06463-- |
| 25   | YM124465-44950 | GASKET           | 1   | SN:06463-- |
| 26   | YM129100-49050 | HOSE             | 1   | SN:06463-- |
| 27   | YM23000-016000 | CLAMP            | 2   | SN:06463-- |

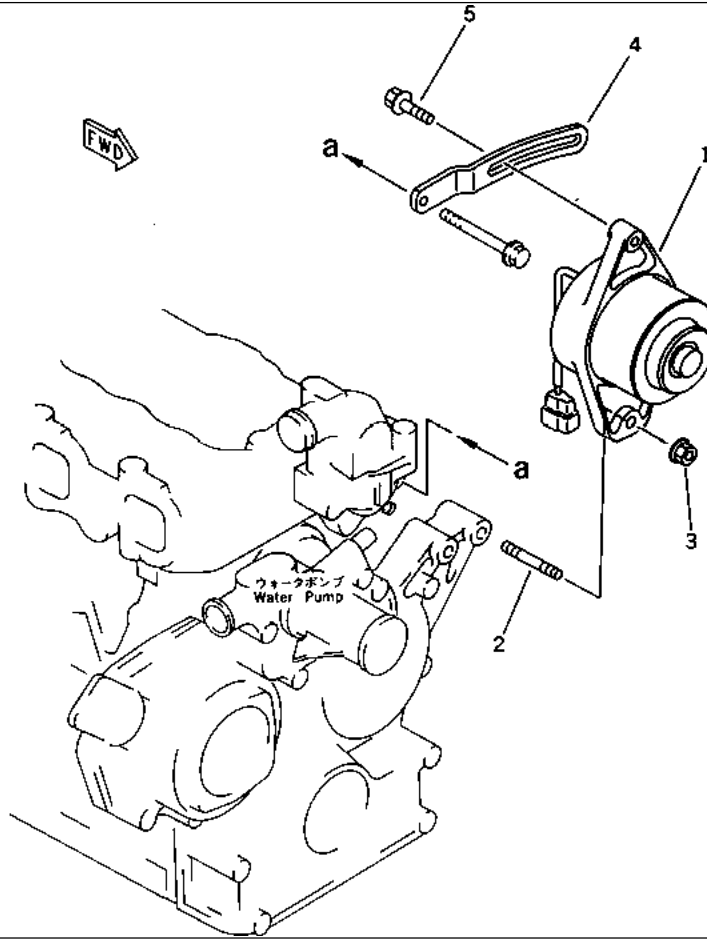
**3D78-1F S/N 01589-UP**  
**WATER PUMP AND COOLING FAN(#06463-)**

| Item | Part No.       | Description | Qty | Options    |
|------|----------------|-------------|-----|------------|
| 28   | YM129120-42350 | PULLEY      | 1   | SN:06463-- |
| 29   | YM124574-44761 | SPACER      | 1   | SN:06463-- |
| 30   | YM121520-44740 | FAN,COOLING | 1   | SN:06463-- |
| 31   | YM26106-060252 | BOLT        | 4   | SN:06463-- |
| 32   | YM121492-42290 | V-BELT      | 1   | SN:06463-- |

**3D78-1F S/N 01589-UP  
ELECTRICAL SYSTEM**

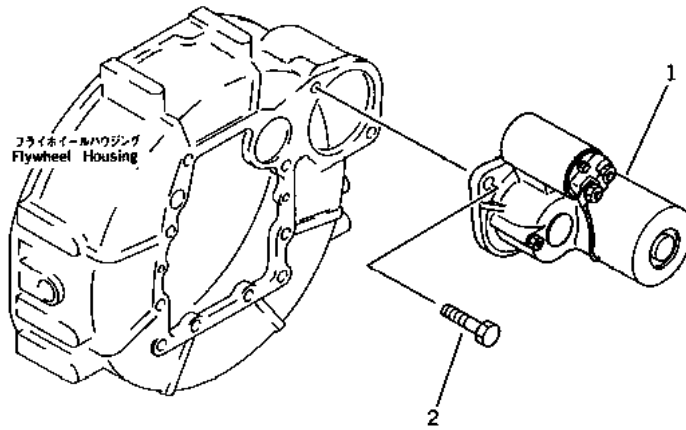
| Item | Description                               | Qty | Page   |
|------|---|-----|--------|
| 10   | ALTERNATOR AND MOUNTING (20A)(#06463-)    | 1   | 180010 |
| 20   | STARTING MOTOR AND MOUNTING (1.8KW)       | 1   | 180020 |
| 30   | SAFETY RELAY AND GLOW PLUG TIMER(#06463-) | 1   | 180030 |
| 40   | ALTERNATOR (20A)(#06463-)                 | 1   | 180040 |
| 50   | STARTING MOTOR (1.8KW)                    | 1   | 180050 |





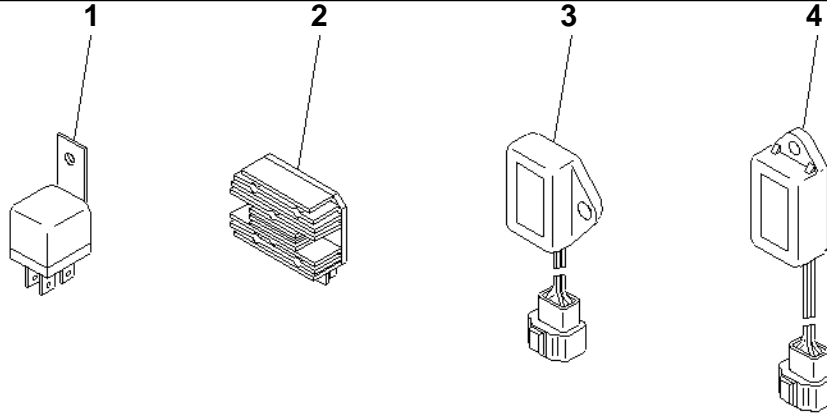
3D78-1F S/N 01589-UP  
**ALTERNATOR AND MOUNTING (20A)(#06463-)**

| Item | Part No.         | Description                        | Qty | Options    |
|------|------------------|------------------------------------|-----|------------|
| 1    | (YM129150-77202) | ALTERNATOR A. (20A),(SEE FIG.0642) | 1   | SN:06463-- |
| 2    | YM121450-01570   | STUD                               | 1   | SN:06463-- |
| 3    | YM26366-100002   | NUT                                | 1   | SN:06463-- |
| 4    | YM129410-77330   | PLATE,ADJUST                       | 1   | SN:06463-- |
| 5    | YM26014-080252   | BOLT                               | 1   | SN:06463-- |



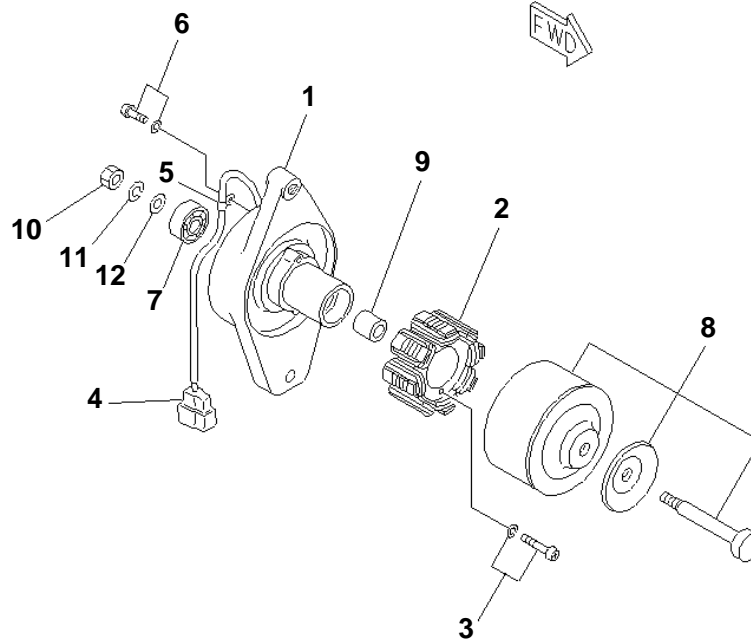
3D78-1F S/N 01589-UP  
**STARTING MOTOR AND MOUNTING (1.8KW)**

| Item | Part No.         | Description                                 | Qty | Options    |
|------|------------------|---|-----|------------|
| 1    | (YM171008-77010) | STARTING MOTOR ASS'Y,(1.8KW) (SEE FIG.0661) | 1   | SN:01589-- |
| 2    | YM26116-120252   | BOLT  | 2   | SN:01589-- |



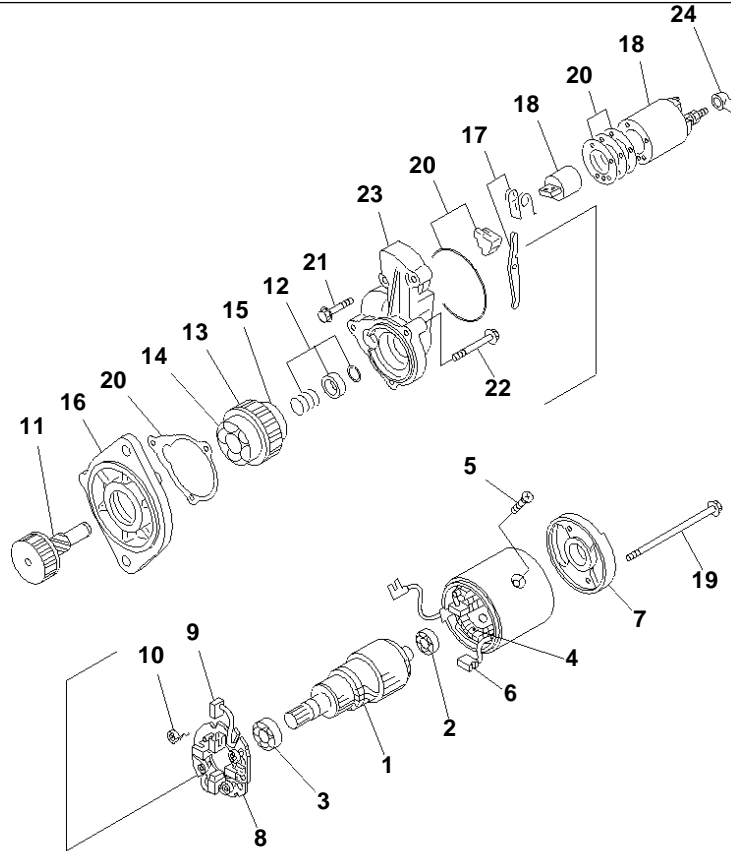
3D78-1F S/N 01589-UP  
**SAFETY RELAY AND GLOW PLUG TIMER(#06463-)**

| Item | Part No.       | Description      | Qty | Options    |
|------|----------------|------------------|-----|------------|
| 1    | YM121522-77101 | RELAY,SAFETY     | 2   | SN:06463-- |
| 2    | YM119640-77711 | LIMITER,CURRENT  | 1   | SN:06463-- |
| 3    | YM121522-77721 | INDICATOR,CHARGE | 1   | SN:06463-- |
| 4    | YM128300-77920 | TIMER,GLOW PLUG  | 1   | SN:06463-- |



3D78-1F S/N 01589-UP  
**ALTERNATOR (20A)(#06463-)**

| Item | Part No.       | Description         | Qty | Options    |
|------|----------------|---------------------|-----|------------|
|      | YM129150-77202 | ALTERNATOR A. (20A) | 1   | SN:06463-- |
| 1    | YM129150-77210 | · PLATE ASS'Y       | 1   | SN:06463-- |
| 2    | YMXM081780000  | · · STATOR ASS'Y    | 1   | SN:06463-- |
| 3    | YMXYSPS402400  | · · SCREW ASS'Y     | 2   | SN:06463-- |
| 4    | YMXM178780000  | · · COUPLER         | 1   | SN:06463-- |
| 5    | YMXM069000000  | · · CLAMP           | 1   | SN:06463-- |
| 6    | YMXYSPS400800  | · · SCREW ASS'Y     | 1   | SN:06463-- |
| 7    | YM24107-062010 | · · BEARING         | 1   | SN:06463-- |
| 8    | YM129150-77230 | · FLYWHEEL          | 1   | SN:06463-- |
| 9    | YMXM329830000  | · COLLAR            | 1   | SN:06463-- |
| 10   | YMXM863720000  | · NUT,BALL          | 1   | SN:06463-- |
| 11   | YMXM219230000  | · WASHER,SPRING     | 1   | SN:06463-- |
| 12   | YMXM860250000  | · WASHER            | 1   | SN:06463-- |



PG 3 S 0 3 5

**3D78-1F S/N 01589-UP  
STARTING MOTOR (1.8KW)**

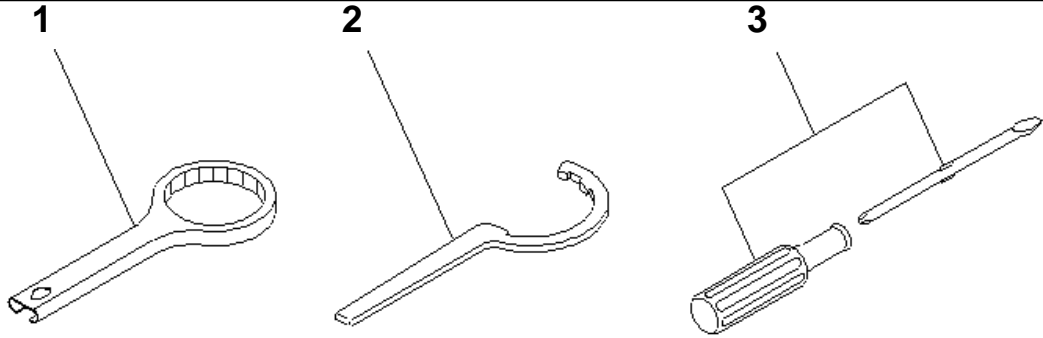
| Item | Part No.       | Description                  | Qty | Options    |
|------|----------------|------------------------------|-----|------------|
|      | YM171008-77010 | STARTING MOTOR ASS'Y,(1.8KW) | 1   | SN:01589-- |
| 1    | YM171008-77400 | · ARMATURE ASS'Y             | 1   | SN:01589-- |
| 2    | YM171008-77410 | · · BEARING,BALL             | 1   | SN:01589-- |
| 3    | YM171008-77420 | · · BEARING,BALL             | 1   | SN:01589-- |
| 4    | YM171008-77430 | · COIL ASS'Y,FIELD           | 1   | SN:01589-- |
| 5    | YM171008-77450 | · · SCREW,CORE               | 4   | SN:01589-- |
| 6    | YM171008-77460 | · · BRUSH (+)                | 2   | SN:01589-- |
| 7    | YM171008-77500 | · COVER,REAR                 | 1   | SN:01589-- |
| 8    | YM171008-77470 | · HOLDER ASS'Y,BRUSH         | 1   | SN:01589-- |
| 9    | YM171008-77480 | · · BRUSH (-)                | 2   | SN:01589-- |
| 10   | YM171008-77490 | · · SPRING,BRUSH             | 4   | SN:01589-- |
|      | YM171008-77650 | · PINION CLUTCH ASS'Y        | 1   | SN:01589-- |
| 11   | YM171008-77660 | · · SHAFT,PINION             | 1   | SN:01589-- |
| 12   | YM171008-77670 | · · STOPPER                  | 1   | SN:01589-- |
| 13   | YM171008-77720 | · · CLUTCH ASS'Y             | 1   | SN:01589-- |
| 14   | YM171008-77730 | · · · BEARING,BALL           | 1   | SN:01589-- |
| 15   | YM171008-77740 | · · · BEARING,BALL           | 1   | SN:01589-- |
| 16   | YM171008-77510 | · HOUSING ASS'Y,GEAR         | 1   | SN:01589-- |
| 17   | YM171008-77540 | · LEVER ASS'Y,SHIFT          | 1   | SN:01589-- |
| 18   | YM171008-77530 | · SWITCH,MAGNETIC            | 1   | SN:01589-- |
| 19   | YM171008-77640 | · BOLT,THROUGH               | 2   | SN:01589-- |
| 20   | YM171008-77570 | · COVER,DUST                 | 1   | SN:01589-- |
| 21   | YM26106-060322 | · BOLT                       | 2   | SN:01589-- |
| 22   | YM26106-060402 | · BOLT                       | 3   | SN:01589-- |
| 23   | YM171008-77520 | · HOUSING,CENTER             | 1   | SN:01589-- |
| 24   | YM171008-77750 | · COVER                      | 1   | SN:01589-- |

3D78-1F S/N 01589-UP

**TOOL AND KIT**

| Item | Description | Qty | Page   |
|------|-------------|-----|--------|
| 10   | TOOL        | 1   | 210010 |
| 20   | GASKET KIT  | 1   | 210020 |

3D78-1F S/N 01589-UP



Ref. 0901

PJ30554

Page 210010

3D78-1F S/N 01589-UP  
TOOL

| Item | Part No.       | Description        | Qty | Options    |
|------|----------------|--------------------|-----|------------|
| 1    | YM171301-92750 | WRENCH,OIL FILTER  | 1   | SN:01589-- |
| 2    | YM171340-92760 | WRENCH,FUEL FILTER | 1   | SN:01589-- |
| 3    | YM104200-92350 | DRIVER,SCREW       | 1   | SN:01589-- |

Ref. 0901

Page 210010

**KIT** 詳細については次のページを参照して下さい。  
See subsequent pages for details.

1K-1 YM729100-92600 ガasket ネット  
GASKET KIT

3D78-1F S/N 01589-UP  
GASKET KIT

| Item | Part No.       | Description | Qty | Options    |
|------|----------------|-------------|-----|------------|
| 1    | YM729100-92600 | GASKET KIT  | 1   | SN:01589-- |
|      | YM129100-01330 | ・ GASKET    | 1   | SN:01589-- |
|      | YM129150-11310 | ・ GASKET    | 1   | SN:01589-- |
|      | YM24311-000120 | ・ O-RING    | 3   | SN:01589-- |
|      | YM129150-12110 | ・ GASKET    | 1   | SN:01589-- |
|      | YM129150-13110 | ・ GASKET    | 1   | SN:01589-- |
|      | YM124701-11910 | ・ GASKET    | 1   | SN:01589-- |
|      | YM129100-42020 | ・ GASKET    | 1   | SN:01589-- |