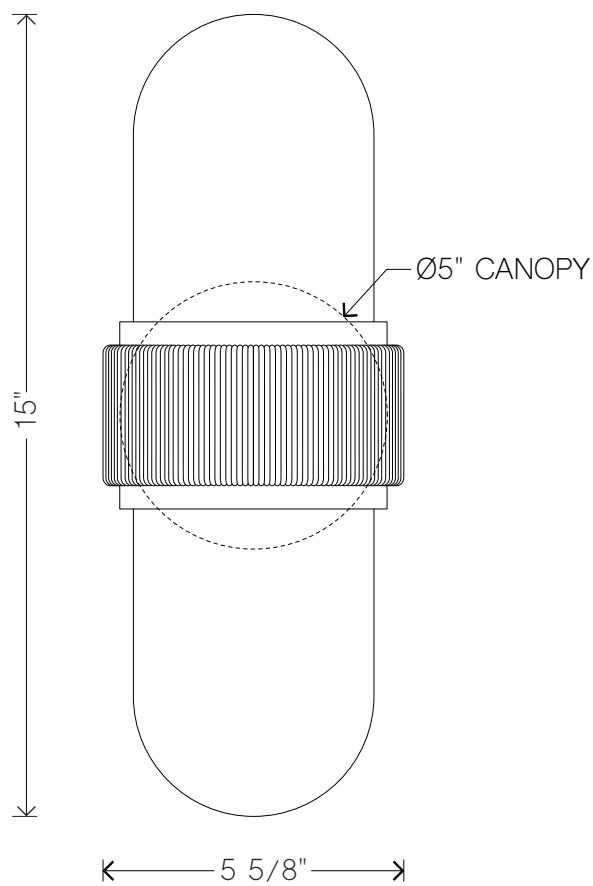


WIL & Co.



Pill Sconce TECHNICAL SHEET

Hand Blown Etched Opal Glass
Solid Brass with Hand Applied Mottled Finish
Natural Jute Collar

Overall depth: 4.25"

2 x E26 Medium Base Sockets
LED Light Bulbs Included
3000K
120 V

ESA Approved

 Proudly Handmade in Canada