

# kreon prologe

kreon prologe is a range of surface mounted cubic downlights characterised by a compact form and deep set LED position. kreon prologe comes in two sizes to suit spatial requirements, providing a discreet yet functional solution to general or accent lighting within architecture. Finished in black for a dramatic ceiling contrast or pure white.

Project Casa Modela  
Location Milan, Italy

Architect M+T architects  
Photographer Serge Brison



kreon prologe in-line or in-dolma set the cubic downlights accordingly either fully-recessed or semi-recessed in a tailor made extruded profile. The profile is available in black anodised or satin silver anodised.



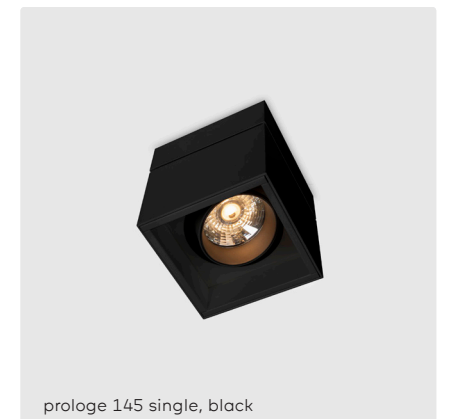
prologe 40 single, black



prologe 80 single, black



prologe 80 in-dolma double, white,  
black profile



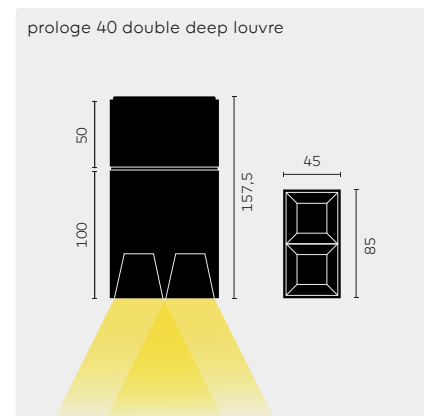
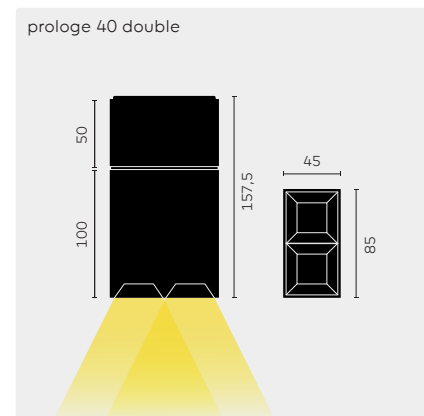
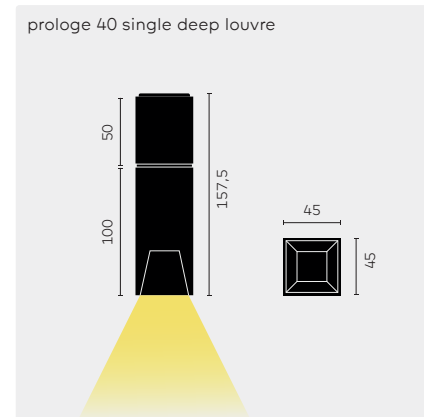
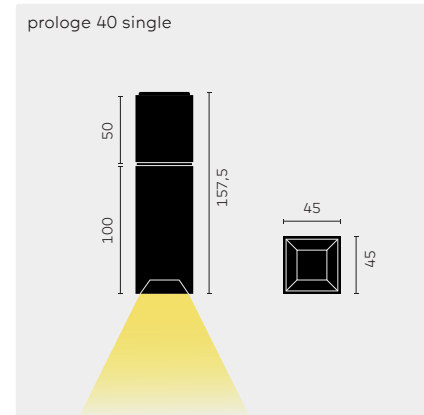
prologe 145 single, black







# kreon prologe 40



	Colour	KR-code	Light sources	9027 2700K, CRI90	9030 3000K, CRI90	SP Spot (20°)	FL Flood (30°)	WFL Wide flood (38°)	DL Dark light (40°) ①	WDL Wide dark light (76°) ①	EX Driver excluded	SW Switchable ON/OFF	PD Phase dimming	Optional accessories
<b>prologe 40 single</b> Driver: excl.	○	KR967141	①	●	●	●	●	●	●	●				■
	●	KR967142	①	●	●	●	●	●	●	●				■
<b>prologe 40 single, deep louvre</b> Driver: excl.	○	KR967241	②	●	●	●	●	●						■
	●	KR967242	②	●	●	●	●	●						■
<b>prologe 40 double</b> Driver: excl.	○	KR967341	③	●	●	●	●	●	●	●	●	●	●	■
	●	KR967342	③	●	●	●	●	●	●	●	●	●	●	■
<b>prologe 40 double, deep louvre</b> Driver: excl.	○	KR967441	④	●	●	●	●	●			●			■
	●	KR967442	④	●	●	●	●	●			●			■

### Optional accessories

Driver (for prologe 40 single) ②

KR772034 LED driver, 700mA, ON/OFF, 20W

KR762902 LED driver, 700mA, 1-10V, 25W

KR772430 LED driver, 700mA, phase dim, 14W

KR772236 LED driver, 700mA, DALI, 18W

Driver (for prologe 40 double) ②

KR772024 LED driver, 500mA, ON/OFF, 20W

KR772220 LED driver, 500mA, 1-10V, 20W

KR772542 LED driver, 500mA, phase dim, 18W

KR752843 LED driver, 500mA, phase dim, 24W ③

KR772126 LED driver, 500mA, DALI, 18W

KR772123 LED driver, 500mA, DALI, 27W ③

Installation cover

KR766101 Installation cover prologe 40 single, white

KR766102 Installation cover prologe 40 single, black

KR767241 Installation cover prologe 40 double, white

KR767242 Installation cover prologe 40 double, black

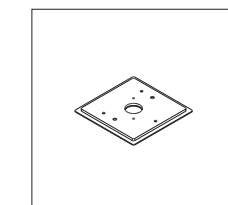
			CRI	CCT	Voltage	Wattage	Drive current	Fixture lumen	
①	LED	FL	CRI90+	2700K/3000K		8,4W	700mA	547lm	
			CRI90+	2700K/3000K		8,4W	700mA	380lm	
②	LED	FL	CRI90+	2700K/3000K		8,4W	700mA	490lm	
			CRI90+	2700K/3000K		12W	500mA	622lm	
		SW/PD	FL	CRI90+	2700K/3000K	230V	12W		912lm
			DL	CRI90+	2700K/3000K	230V	12W		621lm
④	LED	EX	FL	CRI90+	2700K/3000K		12W	500mA	747lm

### REMARKS

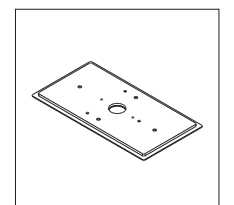
- ① Louvre for DL/WDL is always black
- ② Driver must be placed on remote
- ③ Driver for 2 devices

IP40

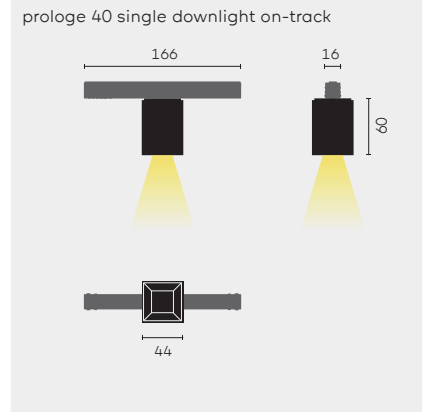
Installation cover prologe 40 single



Installation cover prologe 40 double



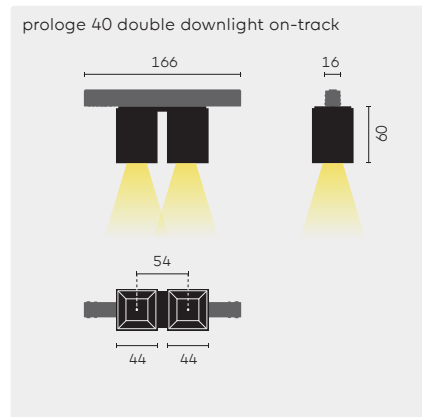
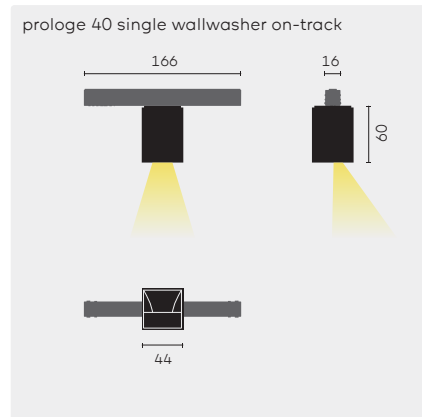
# kreon prologe 40



**prologe 40 single downlight on-track**  
Gear: incl., IP40

**prologe 40 single wallwasher on-track**  
Gear: incl., IP40

**prologe 40 double downlight on-track**  
Gear: incl., IP40



■ **Optional accessories**

Low voltage track

See page 440

			CRI	CCT	Voltage	Wattage	Fixture lumen
①	LED	SP/FL/WFL	CRI90+	2700K/3000K	48Vdc	4,5W	190lm
		DL/WDL	CRI90+	2700K/3000K	48Vdc	10,7W	375lm
②	LED		CRI90+	2700K/3000K	48Vdc	6,5W	290lm
③	LED	SP/FL/WFL	CRI90+	2700K/3000K	48Vdc	6,5W	2x 190lm
		DL/WDL	CRI90+	2700K/3000K	48Vdc	18,9W	2x 375lm

Colour ①	KR-code	Light sources	9027 2700K, CRI90+	9030 3000K, CRI90+	SP spot (17°)	FL flood (24°)	WFL wide flood (40°)	DL darklight (32°)	WDL wide darklight (55°)	SW ON/OFF	VD 1-10V dimming	DD DALI dimming	Optional accessories
○	KR945011	①	●	●	●	●	●	●	●	●	●	●	■
●	KR945012	①	●	●	●	●	●	●	●	●	●	●	■
◐	KR945015	①	●	●	●	●	●	●	●	●	●	●	■
○	KR945111	②	●	●						●	●	●	■
●	KR945112	②	●	●						●	●	●	■
○	KR945211	③	●	●	●	●	●	●	●	●	●	●	■
●	KR945212	③	●	●	●	●	●	●	●	●	●	●	■
◐	KR945215	③	●	●	●	●	●	●	●	●	●	●	■

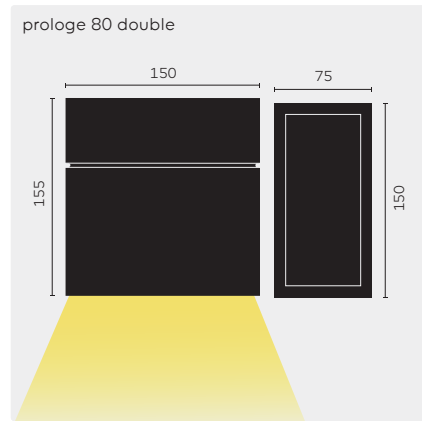
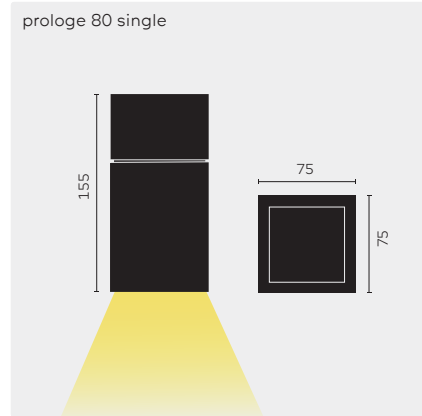
**REMARKS**

① The track adapter has the same colour as the luminaire. KRxxx05 has a white luminaire and track adapter, whilst the louvre is always black.

Compatible with deep recessed track and 48V low voltage track system.

Gear included  
IP40

# kreon prologe 80



	Colour	KR-code	Light sources	8327 2700K, CR83	8330 3000K, CR83	8340 4000K, CR83	9027 2700K, CR90	9030 3000K, CR90	9040 4000K, CR90	9827 2700K, CR98	9830 3000K, CR98	9840 4000K, CR98	SW Switchable ON/OFF	Optional accessories
<b>prologe 80 single fixed LED</b> Gear: excl. ♦	○	KR967121	①	●	●	●	●	●	●	●	●	●		■
	●	KR967122	①	●	●	●	●	●	●	●	●	●		■
<b>prologe 80 single fixed LED</b> Gear: incl.	○	KR967131	②	●	●	●	●	●	●			●		
	●	KR967132	②	●	●	●	●	●	●				●	
<b>prologe 80 single fixed LED MR16</b> Gear: incl., lamp: excl.	○	KR968111	③											
	●	KR968112	③											
<b>prologe 80 single fixed LED PAR16</b> Lamp: excl.	○	KR968131	④											
	●	KR968132	④											
<b>prologe 80 double fixed LED</b> Gear: excl. ♦	○	KR967221	⑤	●	●	●	●	●	●	●	●	●		■
	●	KR967222	⑤	●	●	●	●	●	●	●	●	●		■
<b>prologe 80 double fixed LED</b> Gear: incl.	○	KR967231	⑥	●	●	●	●	●	●			●		
	●	KR967232	⑥	●	●	●	●	●	●				●	
<b>prologe 80 double fixed LED MR16</b> Gear: incl., lamp: excl.	○	KR968211	③											
	●	KR968212	③											
<b>prologe 80 double fixed LED PAR16</b> Lamp: excl.	○	KR968231	④											
	●	KR968232	④											

### Optional accessories

Driver	KR-code	Description
	KR772024	LED driver, 500mA, ON/OFF, 20W
	KR772220	LED driver, 500mA, 1-10V, 20W
	KR772126	LED driver, 500mA, DALI, 18W
	KR772123	LED driver, 500mA, DALI, 27W ①

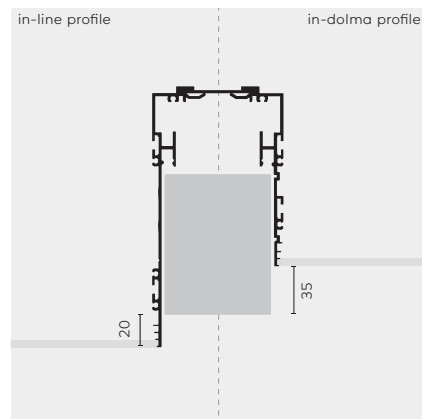
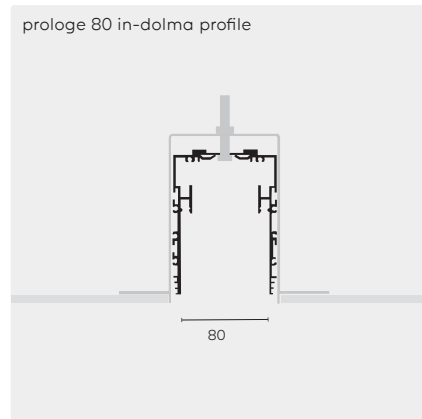
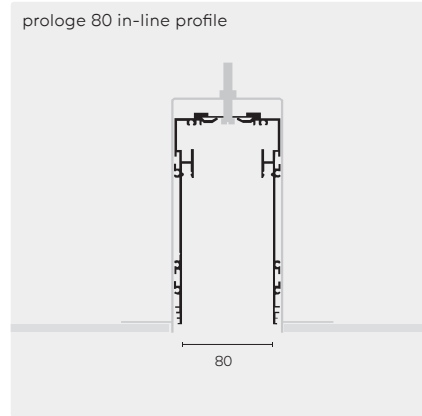
	CRI	CCT	Voltage	Wattage	Drive current	Fixture lumen
① LED	CR183	2700K/3000K/4000K		6,6W	500mA	643lm
	CR190	2700K/3000K/4000K		7,9W	500mA	643lm
	CR198	2700K/3000K/4000K		9,2W	500mA	643lm
② LED	CR183	2700K/3000K/4000K	230V	4,5W		480lm
	CR190	2700K/3000K/4000K	230V	5,4W		480lm
③ LED MR16	fitting GU5,3		230V	(2x) 20W		
④ LED PAR16	fitting GU10		230V	(2x) 20W		
⑤ LED	CR183	2700K/3000K/4000K		2 x 6,6W	500mA	1287lm
	CR190	2700K/3000K/4000K		2 x 7,9W	500mA	1287lm
	CR198	2700K/3000K/4000K		2 x 9,2W	500mA	1287lm
⑥ LED	CR183	2700K/3000K/4000K	230V	2 x 4,5W		960lm
	CR190	2700K/3000K/4000K	230V	2 x 5,4W		960lm

### REMARKS

① Driver for 2 devices

IP20

# kreon prologe 80 in-line/in-dolma



**prologe 80 in-line profile aluminium**  
 ⌀ LxW (L+10)x105 D 245

**prologe 80 in-dolma profile aluminium**  
 ⌀ LxW (L+10)x105 D 190

■ **Optional accessories**

Corner cut

Electrical wiring

Colour  
 KR-code  
 Optional accessories

●	<u>KR765102</u>	■
●	<u>KR765103</u>	■
●	<u>KR765002</u>	■
●	<u>KR765003</u>	■

KR765402 90° corner cut prologe 80 in-line, black anodised

KR765403 90° corner cut prologe 80 in-line, natural anodised

KR765302 90° corner cut prologe 80 in-dolma, black anodised

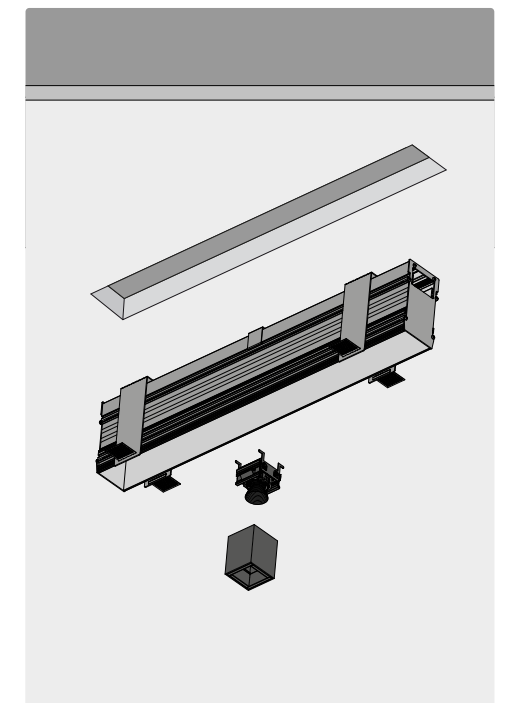
KR765303 90° corner cut prologe 80 in-dolma, natural anodised

KR705401 Extra electrical wiring

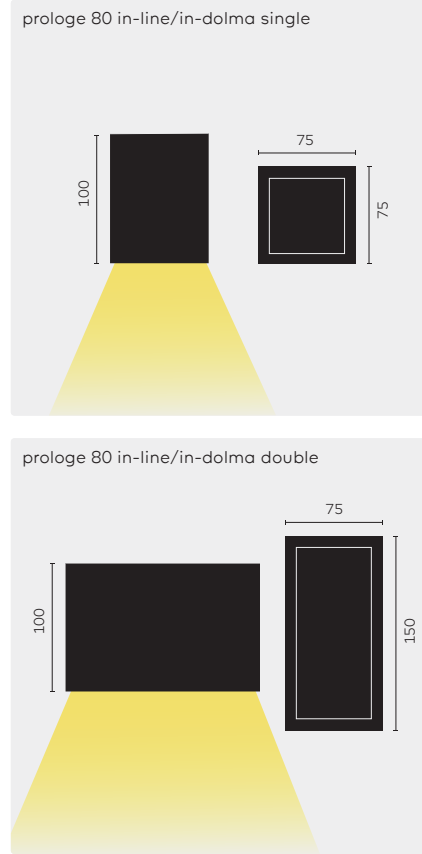
**REMARKS**

kreon prologe profile should be finished with polyester gypsum.  
 The profile is supplied pre-assembled (all gears incl.)  
 Combinations can be specified on order form.  
 Max. length single profile: 6000mm.  
 Shipping length depends on transport possibilities.  
 IP40

prologe 80 single in-line



# kreon prologe 80 in-line/in-dolma

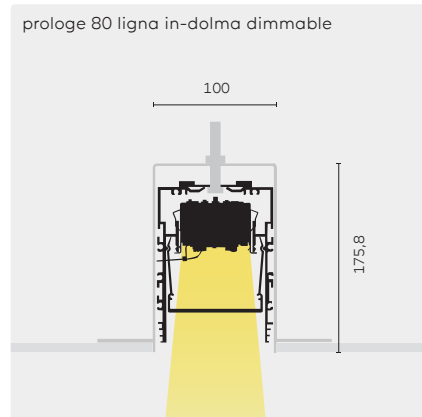
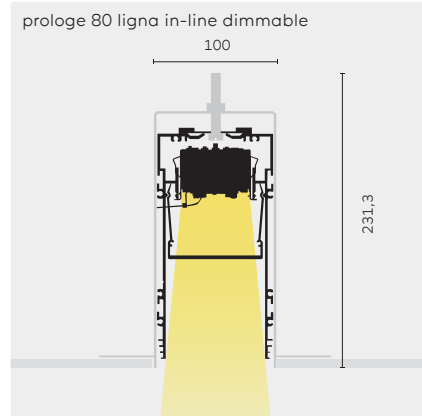


	Colour	KR-code	Light sources	8327 2700K, CR83	8330 3000K, CR83	8340 4000K, CR83	9027 2700K, CR90	9030 3000K, CR90	9040 4000K, CR90	9827 2700K, CR98	9830 3000K, CR98	9840 4000K, CR98	SW Switchable ON/OFF	VD 1-10V dimming	DD DALI dimming	Optional accessories
<b>prologe 80 in-line/in-dolma single fixed LED</b> Gear: incl.	○	<a href="#">KR965121</a>	①	●	●	●	●	●	●	●	●	●	●	●	●	
	●	<a href="#">KR965122</a>	①	●	●	●	●	●	●	●	●	●	●	●	●	●
<b>prologe 80 in-line/in-dolma single fixed LED MR16</b> Gear: incl., lamp: excl.	○	<a href="#">KR965111</a>	②													■
	●	<a href="#">KR965112</a>	②													
<b>prologe 80 in-line/in-dolma single fixed LED PAR16</b> Lamp: excl.	○	<a href="#">KR965131</a>	③													
	●	<a href="#">KR965132</a>	③													
<b>prologe 80 in-line/in-dolma double fixed LED</b> Gear: incl.	○	<a href="#">KR965221</a>	④	●	●	●	●	●	●	●	●	●	●	●	●	
	●	<a href="#">KR965222</a>	④	●	●	●	●	●	●	●	●	●	●	●	●	●
<b>prologe 80 in-line/in-dolma double fixed LED MR16</b> Gear: incl., lamp: excl.	○	<a href="#">KR965211</a>	⑤													■
	●	<a href="#">KR965212</a>	⑤													
<b>prologe 80 in-line/in-dolma double fixed LED PAR16</b> Lamp: excl.	○	<a href="#">KR965231</a>	⑥													
	●	<a href="#">KR965232</a>	⑥													
<b>■ Optional accessories</b>																
Frosted glass		<a href="#">KR760109</a>	Frosted glass prologe 80 in-line/in-dolma single LED MR16													
		<a href="#">KR760209</a>	Frosted glass prologe 80 in-line/in-dolma double LED MR16													

	CRI	CCT	Voltage	Wattage	Fixture lumen
① LED	CR183	2700K/3000K/4000K	230V	6,6W	643lm
	CR190	2700K/3000K/4000K	230V	7,9W	643lm
	CR198	2700K/3000K/4000K	230V	9,2W	643lm
② LED MR16	fitting GU5,3		230V	20W	
③ LED PAR16	fitting GU10			20W	
④ LED	CR183	2700K/3000K/4000K	230V	2 x 6,6W	1287lm
	CR190	2700K/3000K/4000K	230V	2 x 7,9W	1287lm
	CR198	2700K/3000K/4000K	230V	2 x 9,2W	1287lm
⑤ LED MR16	fitting GU5,3		230V	2 x 20W	
⑥ LED PAR16	fitting GU10		230V	2 x 20W	

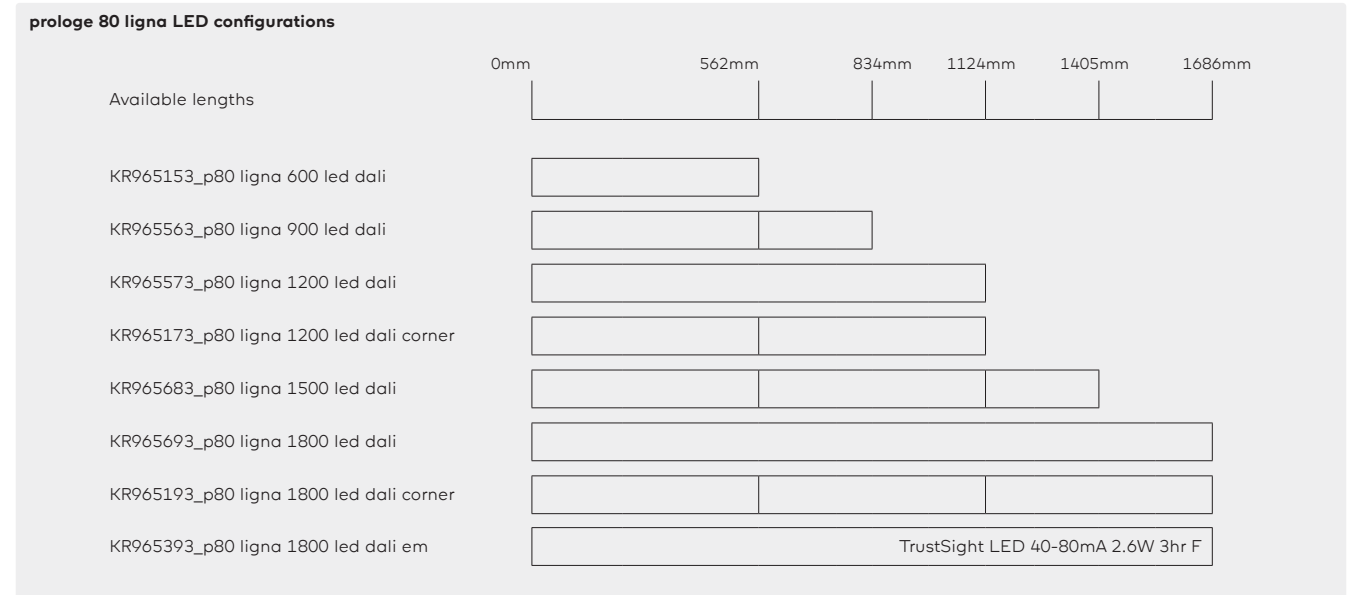
**REMARKS**  
IP20

# kreon prologe 80 in-line/in-dolma



	KR-code	Light sources	9027 2700K, CRI90	9030 3000K, CRI90	9040 4000K, CRI90
 <b>prologe 80 ligna in-line/in-dolma</b> Gear: incl., protocol: DALI Length: 562mm, OLDP diffuser incl.	<u>KR965153</u>	①	●	●	●
 <b>prologe 80 ligna in-line/in-dolma</b> Gear: incl., protocol: DALI Length: 843mm, OLDP diffuser incl.	<u>KR965563</u>	②	●	●	●
 <b>prologe 80 ligna in-line/in-dolma</b> Gear: incl., protocol: DALI Length: 1124mm, OLDP diffuser incl.	<u>KR965573</u>	③	●	●	●
 <b>prologe 80 ligna in-line/in-dolma corner</b> Gear: incl., protocol: DALI Length: 1124mm, OLDP diffuser incl.	<u>KR965173</u>	③	●	●	●
 <b>prologe 80 ligna in-line/in-dolma</b> Gear: incl., protocol: DALI Length: 1405mm, OLDP diffuser incl.	<u>KR965683</u>	④	●	●	●
 <b>prologe 80 ligna in-line/in-dolma</b> Gear: incl., protocol: DALI Length: 1686mm, OLDP diffuser incl.	<u>KR965693</u>	⑤	●	●	●
 <b>prologe 80 ligna in-line/in-dolma corner</b> Gear: incl., protocol: DALI Length: 1686mm, OLDP diffuser incl.	<u>KR965193</u>	⑤	●	●	●
 <b>prologe 80 ligna in-line/in-dolma emergency</b> Gear: incl., protocol: DALI Length: 1686mm, OLDP diffuser incl.	<u>KR965393</u>	⑤	●	●	●

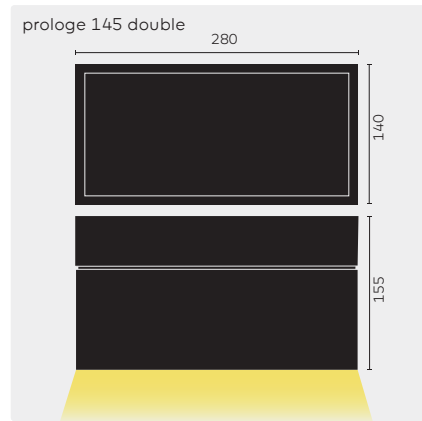
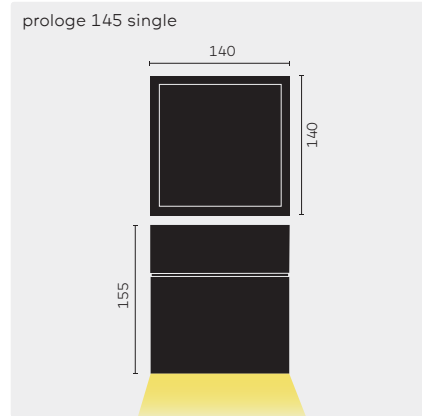
	CRI	CCT	Voltage	Wattage	Fixture lumen
① LED	CRI90+	2700K/3000K/4000K	230V	19W	1065lm
② LED	CRI90+	2700K/3000K/4000K	230V	28,6W	1597lm
③ LED	CRI90+	2700K/3000K/4000K	230V	38,1W	2129lm
④ LED	CRI90+	2700K/3000K/4000K	230V	47,7W	2661lm
⑤ LED	CRI90+	2700K/3000K/4000K	230V	57,2W	3194lm



**REMARKS** Used linear deglaring prism  
 IP40



# kreon prologe 145



**prologe 145 single directional**  
Gear: incl.



**prologe 145 double directional**  
Gear: incl.

Colour	KR-code	Light sources	9027 2700K, CRI90+	9030 3000K, CRI90+	SP Spot (14°)	FL Flood (30°)	WFL Wide flood (38°)	SW Switchable ON/OFF	VD 1-10V dimming	DD DALI dimming	PD Phase dimming
○	KR988651	①	●	●	●	●	●	●	●	●	●
●	KR988652	①	●	●	●	●	●	●	●	●	●
○	KR988751	②	●	●	●	●	●	●	●	●	●
●	KR988752	②	●	●	●	●	●	●	●	●	●

			CRI	CCT	Voltage	Wattage	Fixture lumen
①	LED	FL	CRI90	2700K/3000K	230V	12W	790lm
		WFL	CRI90	2700K/3000K	230V	12W	755lm
②	LED	FL	CRI90	2700K/3000K	230V	2 x 12W	2x 790lm
		WFL	CRI90	2700K/3000K	230V	2 x 12W	2x755lm

**REMARKS**  
IP20