

kreon diapason

kreon diapason is a range of spotlights equipped with state-of-the-art LED sources and lensed reflectors to provide maximum light control within a compact body form. kreon diapason is offered in three sizes with a choice of black, white or copper finish options. Light control is facilitated by a selection of lens optics, colour temperatures, and choice of colour rendering indexes, along with the option to add cylindrical glare preventers for maximum light restraint. kreon diapason can be recess mounted individually within a discreet trimless plasterkit, M10 thread fixed, surface mounted on a gear box accessory or magnetically fixed on a 48V track system.



diapason 40 recessed mounted, white



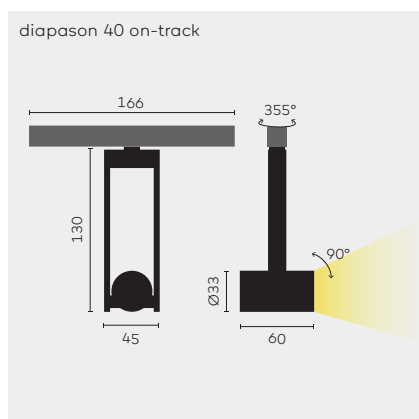
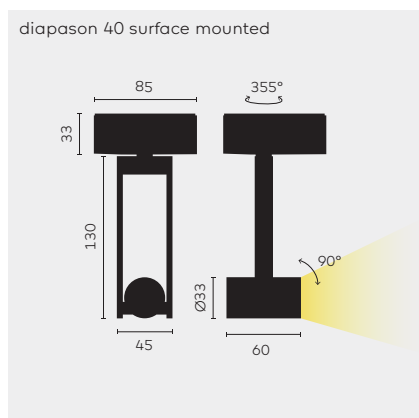
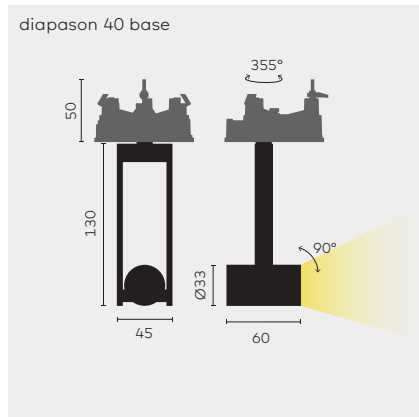
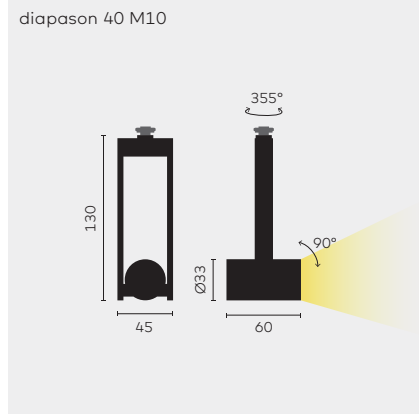
diapason 80 M10 with rounded glare preventer, white



diapason 120 on-track, black



kreon diapason 40



- diapason 40 M10**
- diapason 40 recessed mounted**
- diapason 40 surface mounted**
- diapason 40 on-track ①**

■ Required accessories

Plasterkit for diapason 40 recessed mounted

- KR717104** Plasterkit, no shadowgap, trimless finishing \varnothing 102
- KR717108** Plasterkit, with shadowgap, trimless finishing \varnothing 102
- KR717021** Installation kit with trim, white \varnothing 90 H 70
- KR717022** Installation kit with trim, black \varnothing 90 H 70

Plasterkit concrete

- KR717101** Plasterkit for concrete installation, no shadowgap
- KR717109** Plasterkit for concrete installation, shadowgap

■ Optional accessories

Driver

- KR772142** LED driver, 1050mA, 1-10V, 39W
- KR772443** LED driver, 1050mA, DALI, 60W

Low voltage track

See page 440

	CRI	CCT	Voltage	Wattage	Drive current	Fixture lumen
① LED	CRI80+	2700K/3000K		3,2W	1050mA	258lm
	CRI90+	2700K/3000K		3,2W	1050mA	237lm
② LED	CRI80+	2700K/3000K	48V	4,5W		141lm
	CRI90+	2700K/3000K	48V	4,5W		109lm

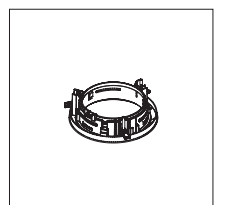
REMARKS

- ① Use in combination with a 48V low voltage track system (see page 440).
- ② Recommended to use in combination with active 1-10V dimming. It is recommended not to use 1-10V dim fixtures having no 1-10V signal connected to the track.

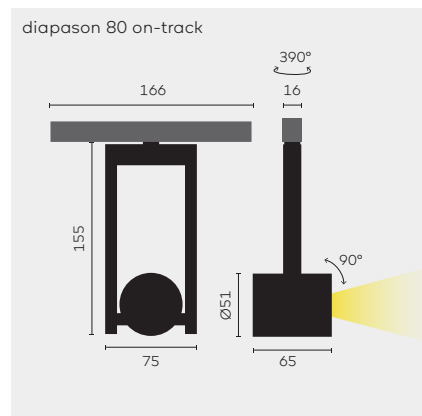
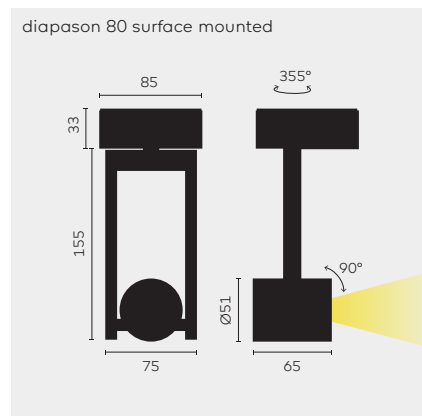
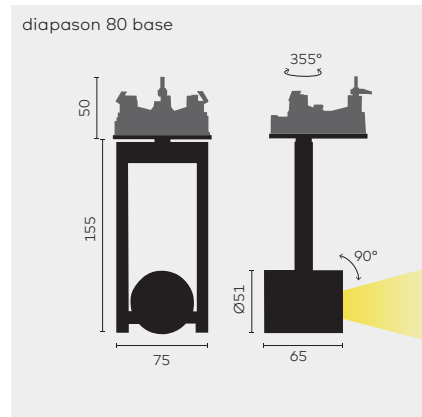
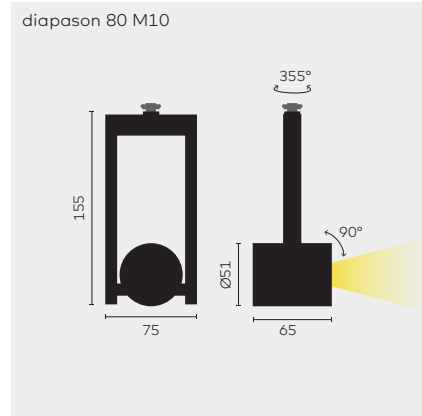
Gear excluded.
 \varnothing IP40

Colour	KR-code	Light sources	8027 2700K, CR180+	8030 3000K, CR180+	9027 2700K, CR190+	9030 3000K, CR190+	SP Spot (10°)	FL Flood (24°)	WFL Wide flood (46°)	SW Switchable ON/OFF	VD 1-10V dimming ②	DD DALI dimming	Required accessories	Optional accessories
	KR906601	①	●	●	●	●	●	●	●					
	KR906602	①	●	●	●	●	●	●	●					
	KR906611	①	●	●	●	●	●	●	●				■	■
	KR906612	①	●	●	●	●	●	●	●				■	■
	KR906651	①	●	●	●	●	●	●	●					■
	KR906652	①	●	●	●	●	●	●	●					■
	KR906621	②	●	●	●	●	●	●	●	●	●	●		■
	KR906622	②	●	●	●	●	●	●	●	●	●	●		■

Plasterkit



kreon diapason 80



diapason 80 M10



diapason 80 recessed mounted



diapason 80 surface mounted



diapason 80 on-track ①



Colour	KR-code	Light sources	8027 2700K, CR180+	8030 3000K, CR180+	9027 2700K, CR190+	9030 3000K, CR190+	SP Spot (20°)	FL Flood (30°)	WFL Wide flood (40°)	SW Switchable ON/OFF	VD 1-10V dimming ②	DD DALI dimming	Required accessories ③	Optional accessories ③
○	KR916601	①	●	●	●	●	●	●	●					■
●	KR916602	①	●	●	●	●	●	●	●					■
●	KR916605	①	●	●	●	●	●	●	●					■
○	KR916611	①	●	●	●	●	●	●	●				■	■
●	KR916612	①	●	●	●	●	●	●	●				■	■
●	KR916615	①	●	●	●	●	●	●	●				■	■
○	KR916651	①	●	●	●	●	●	●	●					■
●	KR916652	①	●	●	●	●	●	●	●					■
●	KR916655	①	●	●	●	●	●	●	●					■
○	KR916621	②	●	●	●	●	●	●	●	●	●	●		■
●	KR916622	②	●	●	●	●	●	●	●	●	●	●		■
●	KR916625	②	●	●	●	●	●	●	●	●	●	●		■

	CRI	CCT	Voltage	Wattage	Drive current	Fixture lumen
① LED	CR180+	2700K/3000K		5,7W	500mA	557lm
	CR190+	2700K/3000K		5,7W	500mA	428lm
② LED	CR180+	2700K/3000K	48V	8,2W		557lm
	CR190+	2700K/3000K	48V	8,2W		428lm

REMARKS

- ① Use in combination with a 48V low voltage track system (see page 440).
- ② Recommended to use in combination with active 1-10V dimming. It is recommended not to use 1-10V dim fixtures having no 1-10V signal connected to the track.
- ③ Find accessories on page 124-125.
- Black luminaire with copper lamphead. Gear excluded.
- ◆ IP40

■ Required accessories

Plasterkit for diapason 80 recessed mounted

KR717104 Plasterkit, no shadowgap, trimless finishing \varnothing 102 H 70

KR717108 Plasterkit, with shadowgap, trimless finishing \varnothing 102 H 70

○ **KR717021** Installation kit with trim, white \varnothing 90 H 70

● **KR717022** Installation kit with trim, black \varnothing 90 H 70

Plasterkit concrete

KR717101 Plasterkit for concrete installation, no shadowgap

KR717109 Plasterkit for concrete installation, shadowgap

■ Optional accessories

Glare preventer

○ **KR706721** Straight glare preventer, white (H 30)

● **KR706722** Straight glare preventer, black (H 30)

● **KR706725** Straight glare preventer, red copper (H 30)

○ **KR706731** Rounded glare preventer, white (H 54)

● **KR706732** Rounded glare preventer, black (H 54)

Louvres and lenses ¹

KR706070 Anti-glare louvre

KR706270 Diffusing lens

more info about louvres & lenses on page 526

Driver

KR772024 LED driver, 500mA, ON/OFF, 20W

KR772220 LED driver, 500mA, 1-10V, 20W

KR772126 LED driver, 500mA, DALI, 18W

KR772229 LED driver, 500mA, Casambi, 27W

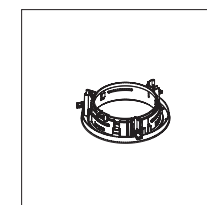
Low voltage track

See page 440

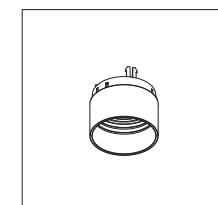
REMARKS

¹ Lenses only in combination with a glare preventer. Max. 2 accessories per glare preventer.

Plasterkit



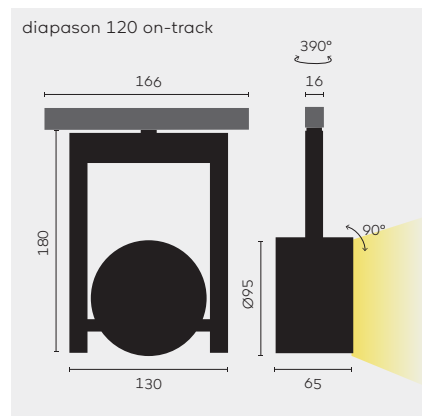
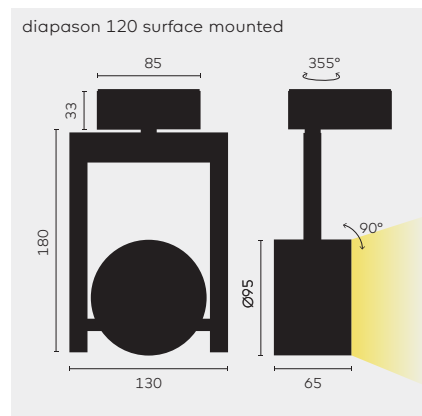
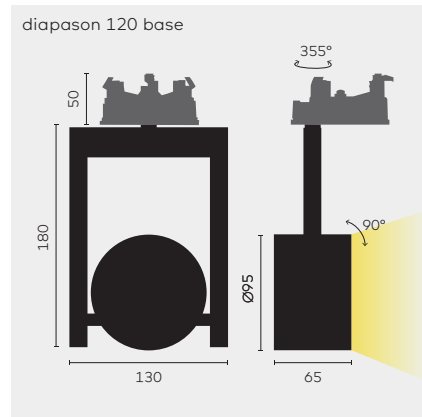
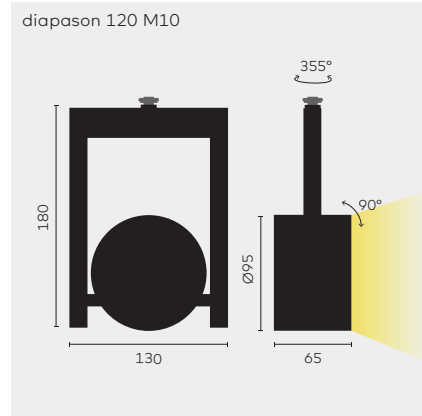
Straight glare preventer



Rounded glare preventer



kreon diapason 120



	Colour	KR-code	Light sources	8327 2700K, CR183	8330 3000K, CR183	9027 2700K, CR190	9030 3000K, CR190	9827 2700K, CR198	9830 3000K, CR198	SP Spot (12°)	FL Flood (24°)	WFL Wide flood (38°)	SM Switchable ON/OFF	VD 1-10V dimming 2	DD DALI dimming	Required accessories 3	Optional accessories 3
	○	KR926601	①	●	●	●	●	●	●	●	●	●					■
	●	KR926602	①	●	●	●	●	●	●	●	●	●					■
	○	KR926611	①	●	●	●	●	●	●	●	●	●				■	■
	●	KR926612	①	●	●	●	●	●	●	●	●	●				■	■
	○	KR926651	①	●	●	●	●	●	●	●	●	●					■
	●	KR926652	①	●	●	●	●	●	●	●	●	●					■
	○	KR926621	②	●	●	●	●	●	●	●	●	●	●	●	●		■
	●	KR926622	②	●	●	●	●	●	●	●	●	●	●	●	●		■

			CRI	CCT	Voltage	Wattage	Drive current	Fixture lumen
①	LED	SP	CRI83	2700K/3000K		19,5W	700mA	1185lm
			CRI90	2700K/3000K		19,5W	700mA	1185lm
			CRI98	2700K/3000K		19,5W	700mA	939lm
	FL & WFL	CRI83	2700K/3000K		16,5W	700mA	1761lm	
		CRI90	2700K/3000K		16,5W	700mA	1761lm	
		CRI98	2700K/3000K		19,9W	700mA	1794lm	
②	LED	SP	CRI83	2700K/3000K	48V	22W		1185lm
			CRI90	2700K/3000K	48V	22W		1185lm
			CRI98	2700K/3000K	48V	22W		939lm
	FL & WFL	CRI83	2700K/3000K	48V	19W		1761lm	
		CRI90	2700K/3000K	48V	19W		1761lm	
		CRI98	2700K/3000K	48V	22,4W		1794lm	

REMARKS

- ① Use in combination with a 48V low voltage track system (see page 440).
- ② Recommended to use in combination with active 1-10V dimming. It is recommended not to use 1-10V dim fixtures having no 1-10V signal connected to the track.
- ③ Find accessories on page 128-129.

Gear excluded
 ◆ IP40

■ Required accessories

Plasterkit for diapason 120 recessed mounted

KR717104 Plasterkit, no shadowgap, trimless finishing \varnothing 102 H 70

KR717108 Plasterkit, with shadowgap, trimless finishing \varnothing 102 H 70

○ **KR717021** Installation kit with trim, white \varnothing 90 H 70

● **KR717022** Installation kit with trim, black \varnothing 90 H 70

Plasterkit concrete

KR717101 Plasterkit for concrete installation, no shadowgap

KR717109 Plasterkit for concrete installation, shadowgap

■ Optional accessories

Glare preventer

○ **KR706821** Straight glare preventer, white (H 40)

● **KR706822** Straight glare preventer, black (H 40)

○ **KR706831** Rounded glare preventer, white (H 90)

● **KR706832** Rounded glare preventer, black (H 90)

Louvres and lenses ¹

KR706080 Anti-glare louvre

KR706180 Sculpture lens

KR706280 Diffusing lens

[more info about louvres & lenses on page 526](#)

Driver

KR772050 LED driver, 700mA, ON/OFF, 33W

KR772232 LED driver, 700mA, 1-10V, 20W

KR772233 LED driver, 700mA, DALI, 27W

KR772239 LED driver, 700mA, Casambi, 27W

KR772430 LED driver, 700mA, phase dim, 25W

KR772239 LED driver, 700mA, Casambi, 36W

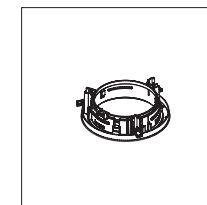
Low voltage track

See page 440

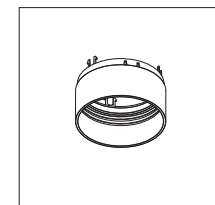
REMARKS

¹ Lenses only in combination with a glare preventer. Max. 2 accessories per glare preventer.

Plasterkit



Straight glare preventer



Rounded glare preventer

