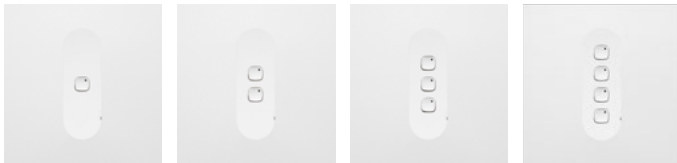


# 13



13-5F-W

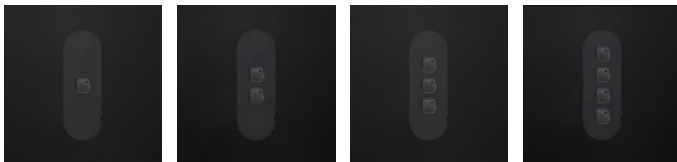


13-1F-W

13-2F-W

13-3F-W

13-4F-W



13-1F-B

13-2F-B

13-3F-B

13-4F-B

## FLUSH 5 GANG SWITCH GRID

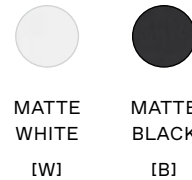
13-5F-B/W

Recessed, trimless, and completely flush switch plates to suit all applications integrate with surrounds.

### SPECIFICATIONS

<b>DIMENSIONS</b>	H46 X W132 X D11 mm
<b>MATERIAL</b>	POLYCARBONATE
<b>REGION</b>	AU/NZ
<b>APPLICATION</b>	INTERIOR
<b>GANG NO.</b>	5 GANG*
<b>WEIGHT</b>	28.25 g
<b>CAPSULE CUTOUT</b>	SEE MOUNTING ACCESSORY
<b>IP</b>	IP20
<b>MINIMUM MOUNTING DEPTH</b>	SEE MOUNTING ACCESSORY
<b>STANDARDS</b>	AS/NZS 3112, 3100, 60950
<b>COMPLIANCE NUMBER</b>	SGS-170519-EA
<b>PRODUCT CERTIFICATION</b>	RCM
<b>PATENT</b>	2018203470

### FINISHES



### COMPATIBLE ACCESSORIES INDEX

	PRODUCT	SKU
	FLUSH FIXED MOUNTING	13-FMA
	FLUSH ADJUSTABLE MOUNTING	13-AMA-B/W
	FLUSH FIRE RATED ENCLOSURE	13-FRE*

\*MECHANISMS NOT INCLUDED.

NB. SWITCHGRID FINISH TO MATCH 13-AMA COLOUR.  
\*13-FRE MUST BE INSTALLED IN CONJUNCTION WITH 13-FMA/AMA.

# 13

13 SPECIFICATION SHEET / 2 OF 2 / 011221



13-5F-B

## ORDER GUIDE

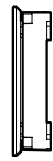
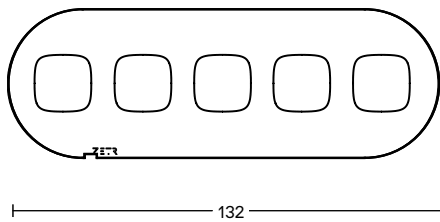
	SERIES		TYPE		COLOUR
E.G.	13		5 GANG FLUSH		BLACK
CODE	13	-	5F	-	B

## PACKAGING SPECIFICATIONS

INDIVIDUAL PACK SIZE	D123 X W200 X H65 mm
GROUP PACK PCS	10
GROUP PACK SIZE	D137 X W150 X H53 mm
BULK PACK PCS	100
BULK PACK SIZE	D280 X W315 X H150 mm

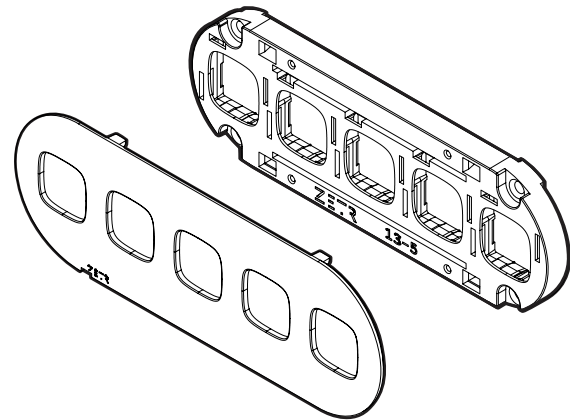
## CLEANING & MAINTENANCE

To clean, simply wipe with a soft damp cloth or detergent-impregnated wipes. Under no circumstance should you spray cleaning solution directly onto the product or use abrasive or solvent type cleaners. If you notice deterioration or damage to this product over time, contact a licensed electrician to repair and/or replace the damaged product immediately.



11

46



SPECIFICATIONS ARE SUBJECT TO CHANGE WITHOUT PRIOR NOTICE