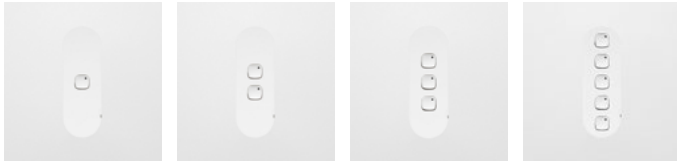


13



13-4F-W



13-1F-W

13-2F-W

13-3F-W

13-5F-W



13-1F-B

13-2F-B

13-3F-B

13-5F-B

FLUSH 4 GANG SWITCH GRID

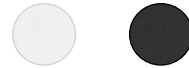
13-4F-B/W

Recessed, trimless, and completely flush switch plates to suit all applications integrate with surrounds.

SPECIFICATIONS

DIMENSIONS	H46 X W132 X D11 mm
MATERIAL	POLYCARBONATE
REGION	AU/NZ
APPLICATION	INTERIOR
GANG NO.	4 GANG*
WEIGHT	29.15 g
CAPSULE CUTOUT	SEE MOUNTING ACCESSORY
IP	IP20
MINIMUM MOUNTING DEPTH	SEE MOUNTING ACCESSORY
STANDARDS	AS/NZS 3112, 3100, 60950
COMPLIANCE NUMBER	SGS-170519-EA
PRODUCT CERTIFICATION	RCM
PATENT	2018203470

FINISHES



MATTE WHITE [W]
 MATTE BLACK [B]

COMPATIBLE ACCESSORIES INDEX

	PRODUCT	SKU
	FLUSH FIXED MOUNTING	13-FMA
	FLUSH ADJUSTABLE MOUNTING	13-AMA-B/W
	FLUSH FIRE RATED ENCLOSURE	13-FRE*

*MECHANISMS NOT INCLUDED.

NB. SWITCHGRID FINISH TO MATCH 13-AMA COLOUR.
 *13-FRE MUST BE INSTALLED IN CONJUNCTION WITH 13-FMA/AMA.

13

13 SPECIFICATION SHEET / 2 OF 2 / 011221



13-4F-B

ORDER GUIDE

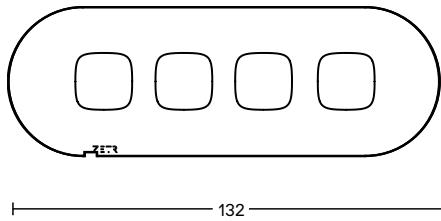
	SERIES		TYPE		COLOUR
E.G.	13		4 GANG FLUSH		BLACK
CODE	13	-	4F	-	B

PACKAGING SPECIFICATIONS

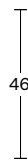
INDIVIDUAL PACK SIZE	D123 X W200 X H65 mm
GROUP PACK PCS	10
GROUP PACK SIZE	D137 X W150 X H53 mm
BULK PACK PCS	100
BULK PACK SIZE	D280 X W315 X H150 mm

CLEANING & MAINTENANCE

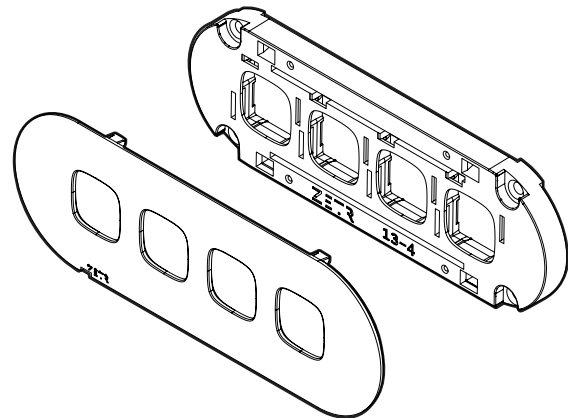
To clean, simply wipe with a soft damp cloth or detergent-impregnated wipes. Under no circumstance should you spray cleaning solution directly onto the product or use abrasive or solvent type cleaners. If you notice deterioration or damage to this product over time, contact a licensed electrician to repair and/or replace the damaged product immediately.



11



46



SPECIFICATIONS ARE SUBJECT TO CHANGE WITHOUT PRIOR NOTICE