

**Walky**

Recessed Luminaire



o 50



45X45



180x45



o 100



90X90



270x90



o 200



180X180



- Lighting system for walkways designed for use with LED light sources to ensure high visual comfort.
- Recessed installation.
- Comprising an optical compartment with IP66 protection rating and wall-mounted casing (to be ordered separately).
- Optical compartment in aluminium alloy with powder paint coating treatment to ensure high resistance to atmospheric agents and UV rays. Plastic closure casing in the rear part of the optical compartment.
- Complete with plastic cable gland and output cable 0.5 - 1 m long
- Grey plastic frame casing to be ordered separately
- Disposable polystyrene casings

- are available to create casing seats for applications in concrete walls finished afterwards with plaster or tiles.
- Tempered frosted sodium-calcium safety glass.
- Luminaire without visible screws with anti-vandalism system involving a key to open access to the rear wiring compartment (supplied in the packaging) for circular ø200 ø100mm, square 180x180mm 90x90mm and rectangular 270x90mm versions. Quick fitting rear opening system for circular ø50, square 45x45 and rectangular 180x45mm versions.
- Versions with integrated 220 ÷ 240 Vac On-Off power supply, with DALI or Emergency power

- supply (circular Ø200 mm, square 180x180 mm) and versions with 24Vdc remote power supply (circular Ø100 / Ø50mm, square 90x90 and 45x45mm and rectangular 270x90 / 180x45 mm).
- Protection against over-voltages (220 ÷ 240Vac versions): 2kV in Common Mode (CM), 1kV in Differential Mode (DM).
- Ambient operating temperature: Ta -30°C +50°C for 24Vdc versions Ta -20°C +50°C for 220-240Vac versions (On-Off- DALI) Ta 0°C +40°C for 220-240Vc versions in emergency
- All external screws used are in A2 stainless steel.



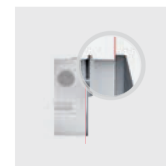
The product can only be opened using a special key for protection against vandalism



Installation without needing tools for ø50mm, 45x45mm and 180x45mm versions



IP66 protection class.

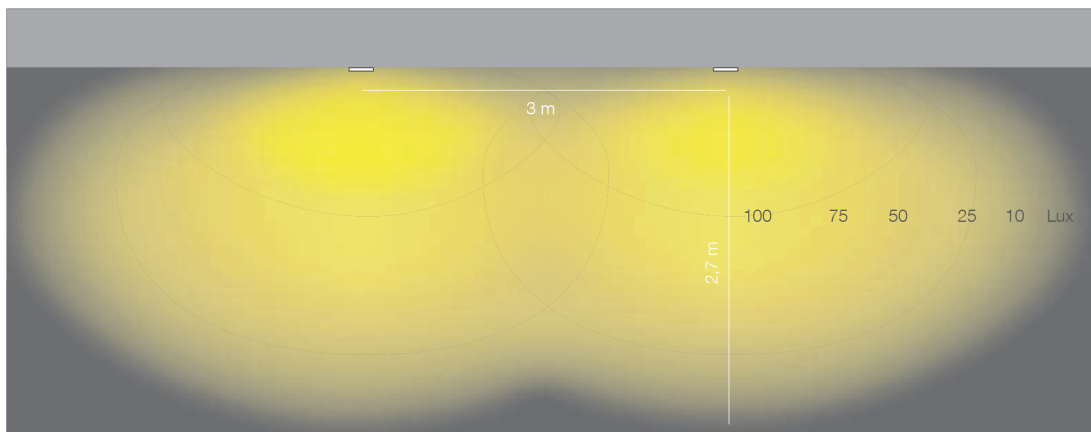


Micro flap that perfectly covers the thickness of the frame casing

### Lighting distribution

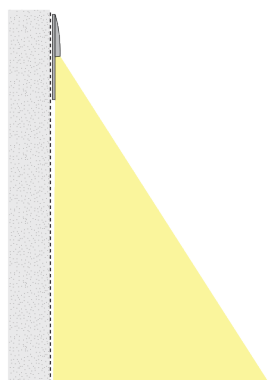
The high performance of this product ensures a uniform level of illumination over the entire horizontal surface.

Lux values refer to Walky ø 200 mm or 180x180 mm versions installed at a height of 700 mm from the ground.

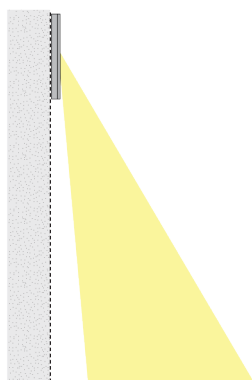


### Horizontal excellence

The new optic that distributes light horizontally, precisely from the base of the wall where the product is installed.



iguzzini solution



Other products

### Versions

**System for residential areas**  
page 732



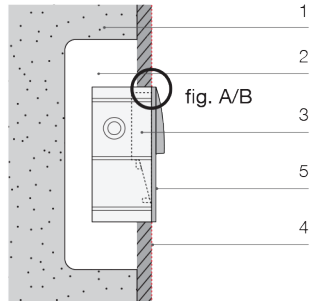
**Wall-mounted**  
page 788



# Walky

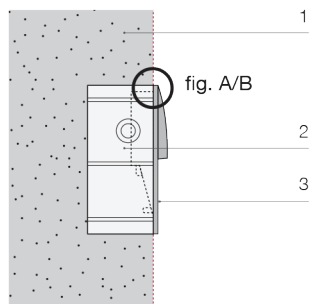
## Recessed Luminaire

### Installation on building/construction materials



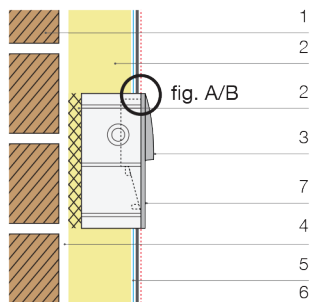
#### Reinforced concrete wall with an plaster/tile finish

1. Structural element in reinforced concrete
2. Housing for the frame casing with polystyrene formwork
3. Frame casing (figure B) with removable plug
4. Finishing (plaster or tile)
5. Walky device with micro flap (figure A)



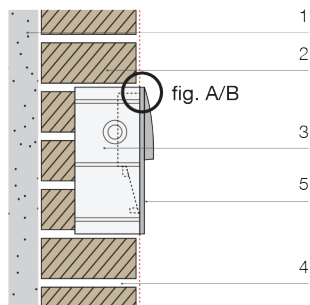
#### Reinforced concrete wall with bare face finish

1. Structural element in reinforced concrete
2. Frame casing (figure B) with removable plug
3. Walky device with micro flap (figure A)



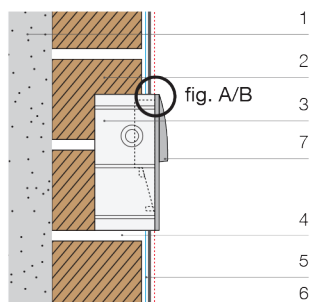
#### Brick wall with insulation and plaster finish

1. Structural element in perforated bricks
2. Standard insulating panel and additional insulating panels
3. Frame casing (figure B) with removable plug
4. Mortar
5. Net and scraping with mortar (about 10mm)
6. Finishing (plaster)
7. Walky device with micro flap (figure A)



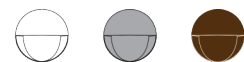
#### Solid brick wall with bare face finish

1. Reinforcement element of variable thickness (concrete, bricks, ..)
2. Structural element in solid bricks
3. Frame casing (figure B) with removable plug
4. Mortar
5. Walky device with micro flap (figure A)



#### Brick wall and plaster finish

1. Reinforcement element (concrete, bricks, ..)
2. Structural element in perforated bricks
3. Frame casing (figure B) with removable plug
4. Mortar
5. Net and scraping with mortar
6. Finishing (plaster)
7. Walky device with micro flap (figure A)



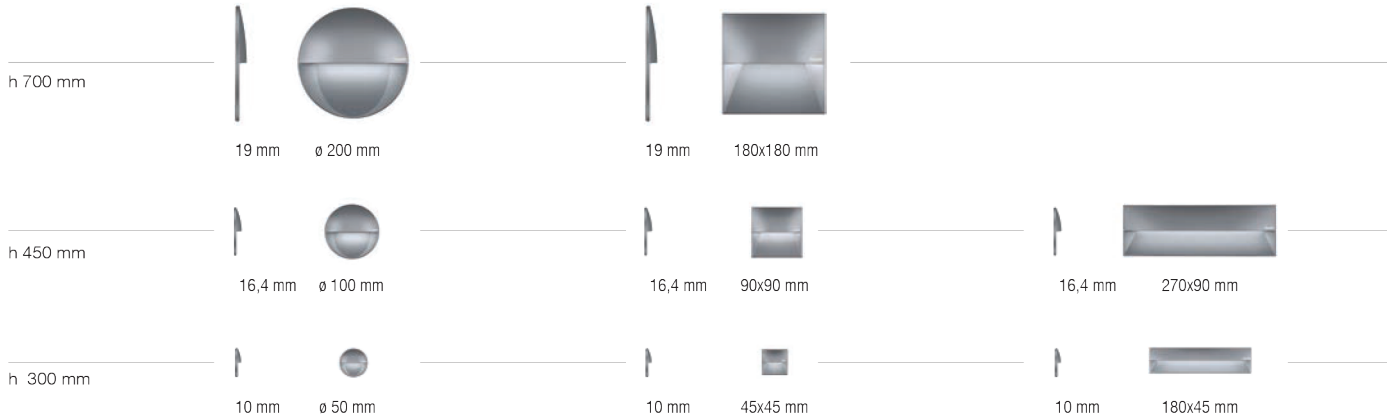
01  
WHITE

15  
GREY

F5  
RUST  
BROWN

### Suggestions for installation heights

h = recommended installation height (from the ground) for correct lighting



### Easy installation and composition

In the recessed luminaire version, the product comprises a polystyrene formwork (when required), plastic frame casing, aluminium plug and Walky lighting device to be ordered separately



Polystyrene formwork



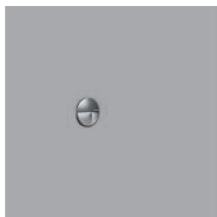
Frame casing to be ordered separately.



Lighting body

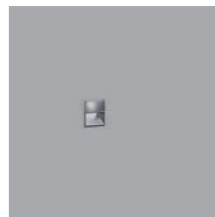
[iguzzini.com](http://iguzzini.com) 🔍 code finder / 📄 download design files / ☆ save and organize favorites

4000K versions on request



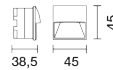
source		system				optic	code colour
W	lm	W	lm	W	lm		
<b>LED</b>							
3000K - CRI 80 - PWM							
1,3W	145	1,4W	26	AL			EI29 01-15-F5
2700K - CRI 80 - PWM							
1,3W	135	1,4W	24	AL			EI30 01-15-F5

24Vdc.  
Power supply to be ordered separately.  
Installation accessory to be ordered separately.



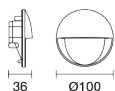
source		system				optic	code colour
W	lm	W	lm	W	lm		
<b>LED</b>							
3000K - CRI 80 - PWM							
1,3W	145	1,4W	26	AL			EI38 01-15-F5
2700K - CRI 80 - PWM							
1,3W	135	1,4W	24	AL			EI39 01-15-F5

24Vdc.  
Power supply to be ordered separately.  
Installation accessory to be ordered separately.



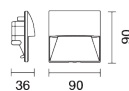
source		system				optic	code colour
W	lm	W	lm	W	lm		
<b>LED</b>							
3000K - CRI 80 - PWM							
3,2W	530	4,6W	186	AL			EI26 01-15-F5
2700K - CRI 80 - PWM							
3,2W	510	4,6W	179	AL			EI27 01-15-F5

24Vdc.  
Power supply to be ordered separately.  
Installation accessory to be ordered separately.



source		system				optic	code colour
W	lm	W	lm	W	lm		
<b>LED</b>							
3000K - CRI 80 - PWM							
3,2W	530	4,6W	186	AL			EI35 01-15-F5
2700K - CRI 80 - PWM							
3,2W	510	4,6W	179	AL			EI36 01-15-F5

24Vdc.  
Power supply to be ordered separately.  
Installation accessory to be ordered separately.

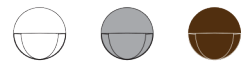


Class III products: certifications are assured only when using the electronic power supplies and drivers indicated in the catalogue.

Technical information may change alongside technological progress. Consult [iguzzini.com](http://iguzzini.com) for ongoing updates.

[iguzzini.com](http://iguzzini.com) **code 701**

# Walky Recessed Luminaire



01  
WHITE

15  
GREY

F5  
RUST  
BROWN

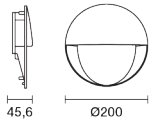
iguzzini.com code finder / download design files / save and organize favorites

4000K versions on request



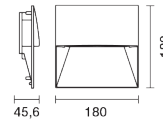
source		system			
W	lm	W	lm	optic	code colour
<b>LED</b>					
3000K - CRI 80					
9,9W	1550	11,5W	667	AL	EI23 01-15-F5
2700K - CRI 80					
9,9W	1500	11,5W	645	AL	EI24 01-15-F5

220÷240Vac  
Class of Insulation I  
Outer casing to be ordered separately  
Installation accessory to be ordered separately



source		system			
W	lm	W	lm	optic	code colour
<b>LED</b>					
3000K - CRI 80					
9,9W	1550	11,5W	636	AL	EI32 01-15-F5
2700K - CRI 80					
9,9W	1500	11,5W	615	AL	EI33 01-15-F5

220÷240Vac  
Class of Insulation I  
Installation accessory to be ordered separately.



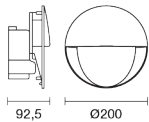
source		system			
W	lm	W	lm	auton.rech.	code colour
<b>LED</b>					
3000K - CRI 80 - DALI					
9,9W	1550	11,7W	667		EI56 01-15-F5
2700K - CRI 80 - DALI					
9,9W	1500	11,7W	645		EI57 01-15-F5

220÷240Vac  
Class of Insulation I  
Installation accessory to be ordered separately.

### Always-on for emergency light (SA)

<b>LED</b>						
3000K - CRI 80 - On/off						
9,9W	1550	11,5W	667	3h	24h	EI50 01-15-F5
2700K - CRI 80 - On/off						
9,9W	1500	11,5W	645	3h	24h	EI51 01-15-F5

220÷240Vac.  
Class of Insulation I  
Permanent emergency light  
Installation accessory to be ordered separately.  
These codes can be used at a minimum environment temperature of 0°C



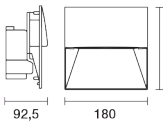
source		system			
W	lm	W	lm	auton.rech.	code colour
<b>LED</b>					
3000K - CRI 80 - DALI					
9,9W	1550	11,7W	636		EI59 01-15-F5
2700K - CRI 80 - DALI					
9,9W	1500	11,7W	615		EI60 01-15-F5

220÷240Vac  
Class of Insulation I  
Installation accessory to be ordered separately.

### Always-on for emergency light (SA)

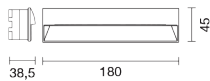
<b>LED</b>						
3000K - CRI 80 - On/off						
9,9W	1550	11,5W	636	3h	24h	EI53 01-15-F5
2700K - CRI 80 - On/off						
9,9W	1500	11,5W	615	3h	24h	EI54 01-15-F5

220÷240Vac.  
Class of Insulation I  
Permanent emergency light  
Installation accessory to be ordered separately.  
These codes can be used at a minimum environment temperature of 0°C



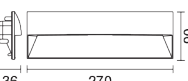
source		system			
W	lm	W	lm	optic	code colour
<b>LED</b>					
3000K - CRI 80 - PWM					
4,5W	550	5,2W	98	AL	EI47 01-15-F5
2700K - CRI 80 - PWM					
4,5W	510	5,2W	90	AL	EI48 01-15-F5

24Vdc.  
Power supply to be ordered separately.  
Installation accessory to be ordered separately.



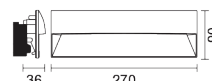
source		system			
W	lm	W	lm	optic	code colour
<b>LED</b>					
3000K - CRI 80					
9W	1420	10W	298	AL	EI41 01-15-F5
2700K - CRI 80					
9W	1315	10W	275	AL	EI42 01-15-F5

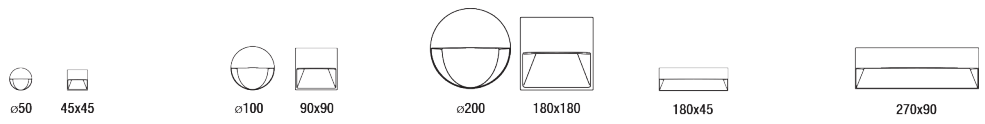
220÷240Vac  
Class of Insulation I  
Installation accessory to be ordered separately.






source		system			
W	lm	W	lm	optic	code colour
<b>LED</b>					
3000K - CRI 80 - PWM					
9W	1430	10,5W	300	AL	EI44 01-15-F5
2700K - CRI 80 - PWM					
9W	1325	10,5W	277	AL	EI45 01-15-F5

24Vdc.  
Power supply to be ordered separately.  
Installation accessory to be ordered separately.

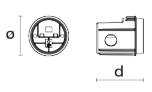
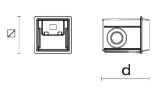
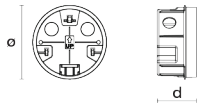
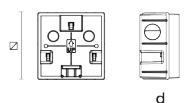


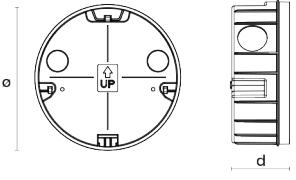
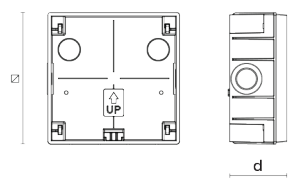
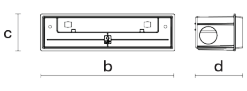
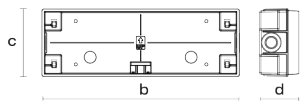


**Mounting accessories**

	code	colour	code	colour	code	colour	code	colour	code	colour
 Opening key	---	---	<b>X421</b>	13	<b>X420</b>	13	---	---	<b>X421</b>	13
									<b>X420</b>	13
 Plastic casing										
square	<b>X333</b>	15	<b>X332</b>	15	<b>X331</b>	15	---	---	---	---
rectangular	---	---	---	---	---	---	<b>X335</b>	15	<b>X334</b>	15
round	<b>X330</b>	15	<b>X329</b>	15	<b>X328</b>	15	---	---	<b>X328</b>	15
 Disposable polystyrene precast outer-casing mould For concrete, plastered surfaces and tiles applications										
rectangular	---	---	---	---	---	---	<b>X345</b> 00 For X335		<b>X344</b> 00 For X334	
round/square	<b>X343</b> 00 For X333-X330		<b>X342</b> 00 For X332-X329		<b>X341</b> 00 For X331-X328		---	---	<b>X341</b> 00 For X331-X328	

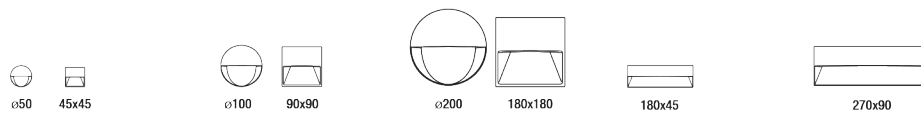
**Casing measurements**

X330	X333	X329	X332
			
d = 65 mm ø = 55,5 mm	d = 65 mm ø = 54,5 mm	d = 54,5 mm ø = 102,5 mm	d = 54,5 mm ø = 93 mm

X328	X331	X335	X334
			
d = 80 mm ø = 202,5 mm	d = 80 mm ø = 184 mm	d = 53,5 mm b = 186,5 mm c = 51,5 mm	d = 75 mm b = 274 mm c = 94 mm

# Walky

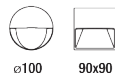
## Recessed Luminaire



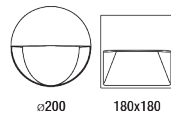
	code	colour	code	colour	code	colour	code	colour	code	colour
<b>Interfaces &amp; remote units</b>										
 4-channel LED Driver with DALI-DMX 720W controller										
VIN=12-48Vdc VOUT=5-12-24-48V	<b>9639</b>	00	<b>9639</b>	00	---	---	<b>9639</b>	00	<b>9639</b>	00
 PWM interface with DALI monochromatic LED dimmer 120W 24Vdc	<b>MWP3</b>	00	<b>MWP3</b>	00	---	---	<b>MWP3</b>	00	<b>MWP3</b>	00
<b>Control gear</b>										
 IP67 box for power supply										
dim. 140x230x95h (6PG)	<b>9582</b>	00	<b>9582</b>	00	---	---	<b>9582</b>	00	<b>9582</b>	00
dim. 280x190x130h (10PG)	<b>BZ33</b>	00	<b>BZ33</b>	00	---	---	<b>BZ33</b>	00	<b>BZ33</b>	00
 2-way junction connector - IP68	---	---	---	---	<b>X188</b>	00	---	---	<b>X188</b>	00
 Sealed connector kit IP68	---	---	<b>9581</b>	04	---	---	<b>9581</b>	04	<b>9581</b>	04 For 24Vdc versions
<b>Power supply</b>										
 Electronic constant tension power supply 50W 24V										
Iout=2A dim. 225x60x36h	<b>MWK4</b>	00	<b>MWK4</b>	00	---	---	<b>MWK4</b>	00	<b>MWK4</b>	00
 Electronic constant tension power supply 70W 24V										
IOUT=2,9A dim. 225x60x36h	<b>MWK5</b>	00	<b>MWK5</b>	00	---	---	<b>MWK5</b>	00	<b>MWK5</b>	00
 Constant current power supply unit non dimmable IP67 40W										
VIN =90-305VAC 50/60Hz Vout = 24V IMAX = 1,67A dimensions:171x61,5x36,8	<b>X182</b>	00	<b>X182</b>	00	---	---	<b>X182</b>	00	<b>X182</b>	00
 Constant current power supply unit non dimmable IP67 80W										
VIN =90-305VAC 50/60Hz Vout = 24V IMAX = 3,4A dimensions:195,6x61,5x38,8	<b>X183</b>	00	<b>X183</b>	00	---	---	<b>X183</b>	00	<b>X183</b>	00
 Constant current power supply unit non dimmable IP67 120W										
VIN =90-305VAC 50/60Hz Vout = 24V IMAX = 5A dimensions:220x68x38,8	<b>X184</b>	00	<b>X184</b>	00	---	---	<b>X184</b>	00	<b>X184</b>	00
 Constant current power supply unit non dimmable IP67 185W										
VIN =90-305VAC 50/60Hz Vout = 24V IMAX = 7,8A dimensions:228x68x38,8	<b>X185</b>	00	<b>X185</b>	00	---	---	<b>X185</b>	00	<b>X185</b>	00



ø50 45x45



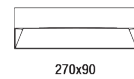
ø100 90x90



ø200 180x180














180x45



270x90

**Power supply**

	code	colour	code	colour	code	colour	code	colour	code	colour
 <p>Constant current power supply unit non dimmable IP67 240W VIN = 90-305VAC 50/60Hz Vout = 24V IMAX = 10A dimensions: 244,2x90x43,8</p>	<b>X186</b>	00	<b>X186</b>	00	---	---	<b>X186</b>	00	<b>X186</b>	00
 <p>Constant current power supply unit non dimmable IP67 320W VIN = 90-305VAC 50/60Hz Vout = 24V IMAX = 13,34A dimensions: 252x90x43,8</p>	<b>X187</b>	00	<b>X187</b>	00	---	---	<b>X187</b>	00	<b>X187</b>	00
 <p>Constant current power supply unit DALI IP20 100W VIN = 220-240VAC 50/60Hz Vout = 24VDC IMAX = 4,16A dimensions: 295x43x30</p>	<b>MZ15</b>	00	<b>MZ15</b>	00	---	---	<b>MZ15</b>	00	<b>MZ15</b>	00
 <p>Constant current power supply unit IP20 96W VIN = 120-277VAC 50/60Hz Vout = 24VDC IMAX = 4A dimensions: 300x40x22</p>	<b>MZ14</b>	00	<b>MZ14</b>	00	---	---	<b>MZ14</b>	00	<b>MZ14</b>	00
 <p>Constant current power supply unit non dimmable track DIN 120W VIN = 90-240VAC 50/60Hz Vout = 24V IMAX = 5A dimensions: 40x114x125</p>	<b>BZK0</b>	00	<b>BZK0</b>	00	---	---	<b>BZK0</b>	00	<b>BZK0</b>	00
 <p>Constant current power supply unit non dimmable track DIN 240W VIN = 90-240VAC 50/60Hz Vout = 24V IMAX = 10A dimensions: 63x114x125</p>	<b>9912</b>	00	<b>9912</b>	00	---	---	<b>9912</b>	00	<b>9912</b>	00
 <p>Constant current power supply unit non dimmable track DIN 10W VIN = 220-240VAC 50/60Hz Vout = 24V IMAX = 0,4A dimensions: 18x68x93</p>	<b>9908</b>	00	<b>9908</b>	00	---	---	<b>9908</b>	00	---	---
 <p>Constant current power supply unit non dimmable track DIN 24W VIN = 220-240VAC 50/60Hz Vout = 24V IMAX = 1A dimensions: 35x68x94</p>	<b>9909</b>	00	<b>9909</b>	00	---	---	<b>9909</b>	00	<b>9909</b>	00
 <p>Constant current power supply unit non dimmable track DIN 72W VIN = 220-240VAC 50/60Hz Vout = 24V IMAX = 3A dimensions: 70x68x94</p>	<b>9910</b>	00	<b>9910</b>	00	---	---	<b>9910</b>	00	<b>9910</b>	00
 <p>Constant current power supply unit non dimmable track DIN 96W VIN = 220-240VAC 50/60Hz Vout = 24V IMAX = 4A dimensions: 93x66x105</p>	<b>9911</b>	00	<b>9911</b>	00	---	---	<b>9911</b>	00	<b>9911</b>	00
 <p>Constant current power supply unit non dimmable track DIN 480W VIN = 90-240VAC 50/60Hz Vout = 24V IMAX = 20A dimensions: 86x129x125</p>	<b>BZK1</b>	00	<b>BZK1</b>	00	---	---	<b>BZK1</b>	00	<b>BZK1</b>	00