

W2000.SU Linear LED Light

Datasheet



TRU-COLOUR®

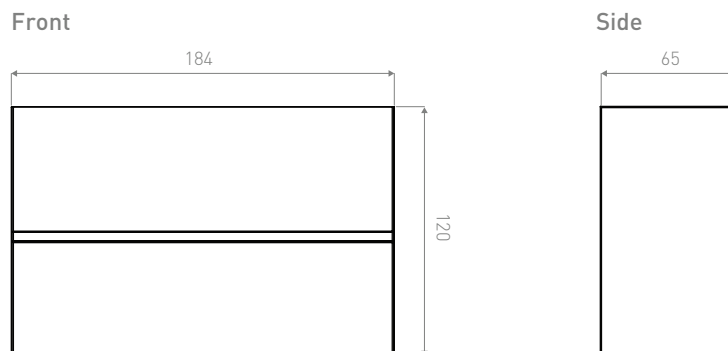
Product Codes

Unit: W2000.SU	Family: LN	Colour temp. (K): 2700K 3000K 4000K	Beam Angle: AS (Asymmetric)	Finish: White (W) Black (B)	Driver: PHASE DALI ZIGBEE 0-10V
--------------------------	----------------------	---	---------------------------------------	--	--

Photometrics

Delivered lumen: 1560lm	Efficacy: 78lm/W	CRI: CRI97+
-----------------------------------	----------------------------	-----------------------

Dimensions (mm)

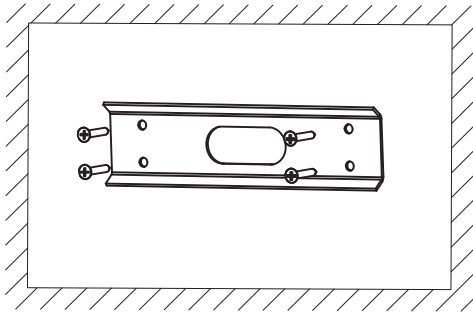


Electrical

Input Voltage: AC220-240V 50/60hz	Power Usage: 20W	Driver Power Factor: >0.9	IP rating: IP20	Surge Protection: 3100V
Dimmable: Yes				

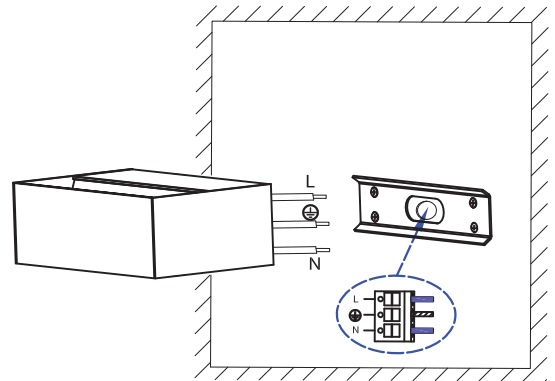
Operational

Ambient Temp.: -20°C - 60°C	Lifetime: 35000-50000hrs	Warranty: 7 years
---------------------------------------	------------------------------------	-----------------------------



Step 1

Attach the lamp base onto the wall using screws.



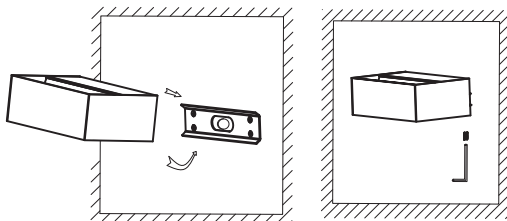
Step 2

Thread the electrical wires and attach it to the light.

Brown wire - Live wire

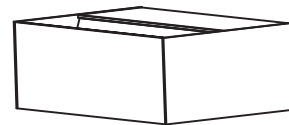
Blue wire - Neutral wire

Yellow and green wire - Ground wire



Step 3

Attach the lamp fixture to the lamp base and secure with the screw.



Step 4

Installation complete.