

W100.IP.MINI Curve LED Wall Light

Datasheet

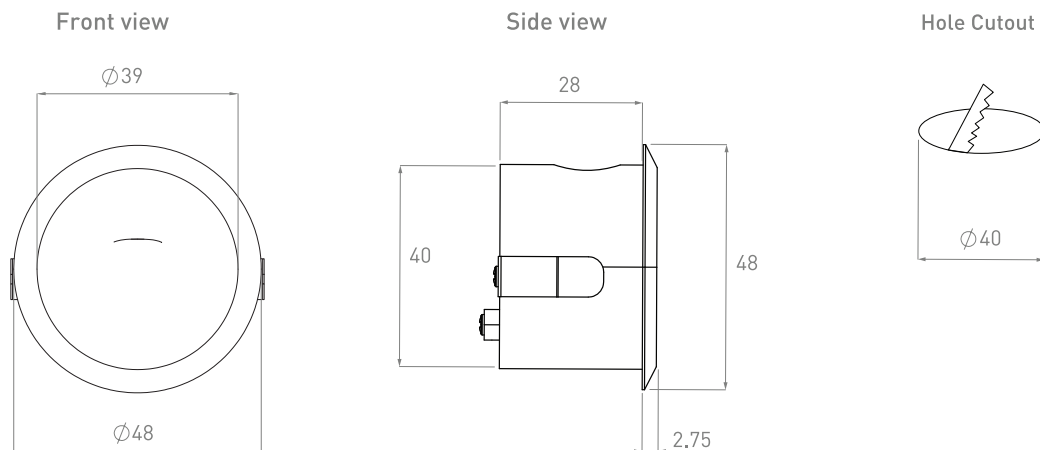


TRU-COLOUR.

Product codes

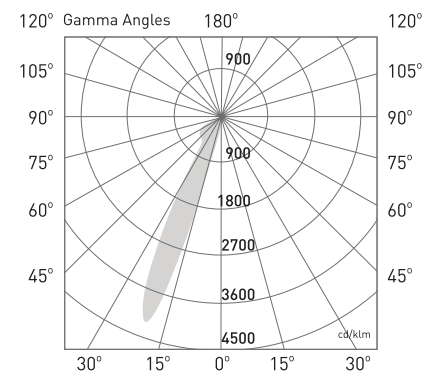
Unit: W100.IP.MINI	Series: CR	Colour temp.: 2.7K (2700K) (Special Order) 3K (3000K)	Beam angle (°): ASD (Asymmetrical Down)	Colour: W (White) B (Black)
Driver: PHASE (PHASE) DALI (DALI) ZIGBEE (ZIGBEE 3.0) 010V (0-10V) ND (Non-Dimmable)	Version: 1.0			

Dimensions (mm)



Photometrics

Source lumen output: 110lm
Delivered lumen: 80lm
Efficacy: 78lm/W, 80lm/W
Colour temp.: 2700K, 3000K
Beam angle: ASD
CRI: >98
Standard deviation of colour matching (SDCM): 2 Macadam steps



Electrical

Input voltage:
24V

Power usage:
1W

Driver power factor:
>0.9

IP rating:
IP65

Dimmable:
Yes

Operational

Ambient Temp.:
-20°C to 50°C

Lifetime:
70,000 hrs

SDCM:
2MacAdam Steps

IC Rating:
IC-4

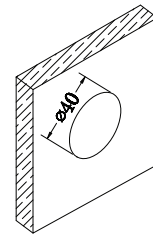
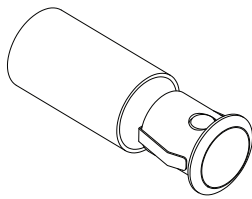
Physical

Warranty:
7 years

Mounting type:
Recessed

Installation

Method 1: Installation on False Layers (Wood, Plywood, Plasterboard, Metal, Rock, etc)

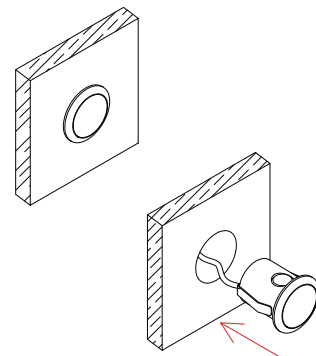
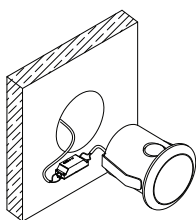


Step 1

Separate mounting sleeve from the luminaire. The mounting sleeve is not required for this installation.

Step 2

Cut a 40mm diameter hole on the false layer at the desired location.



Step 3

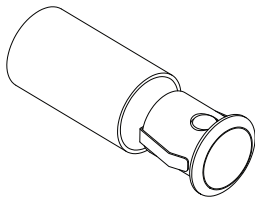
Plug the driver into a mounted general power (GPO) in the wall.

Step 4

Insert the luminaire into the hole, orient the luminaire as required.

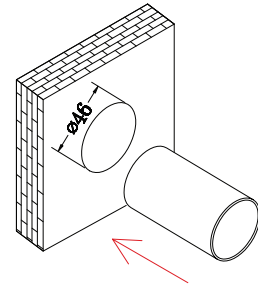
Installation

Method 2: Installation on Brick Walls



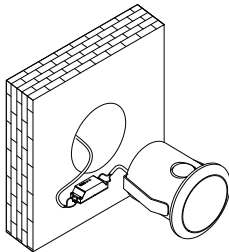
Step 1

Separate mounting sleeve from the luminaire.



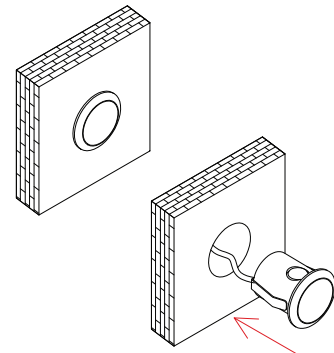
Step 2

Cut a 46mm hole diameter in the wall at the desired location then embed the mounting sleeve. Paint the wall afterwards.



Step 3

Plug the driver into a mounted general power (GPO) in the wall.



Step 4

Insert the luminaire into the mounting sleeve, orient the luminaire as required.