

## PRODUCT DATA SHEET

### Tolomeo parete diffusore 32 - Halo Parchment

**DESIGN BY :**

Michele De Lucchi , Giancarlo Fassina  
2006

**MATERIALS :**

Polished aluminium, parchment paper and plastic

**DESCRIPTION :**

Arm and wall support in polished aluminium; diffuser in parchment paper on a plastic frame.

The arm presents an articulation that enables the diffuser to rotate around 30° perpendicular to the wall.

**Light emission**

Direct Diffused Adjustable



### TECHNICAL DATA SHEET

**FEATURES**

<b>Product name:</b>	Tolomeo parete diffusore 32 - Halo Parchment
<b>Article Code:</b>	<b>1186010A + 0780010A</b>
<b>Colour:</b>	Parchment
<b>Material:</b>	Polished aluminium, parchment paper and plastic
<b>Series:</b>	Design
<b>Environment:</b>	Indoor
<b>Area contract:</b>	

**OPTICS**

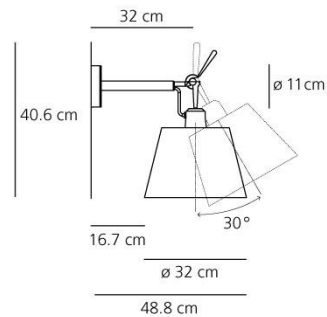
<b>Emission:</b>	Direct Diffused Adjustable
------------------	----------------------------

**DIMENSIONS**

<b>Length:</b>	(cm) 48.8
<b>Height:</b>	(cm) 40.6
<b>Cutout width:</b>	(cm) 32
<b>Base Diameter:</b>	(cm) 11
<b>Rotation:</b>	30
<b>Cutout shape:</b>	

**LAMPS NOT INCLUDED**

<b>Category:</b>	HALO
<b>Number:</b>	1
<b>Lbs:</b>	Qt32
<b>Watt:</b>	150
<b>Socket:</b>	E27
<b>Type:</b>	Hsgsb/c
<b>Colour Rendering:</b>	1a
<b>Colour temperature (K):</b>	2900
<b>Duration (h):</b>	2000

**DIMENSIONS****LAMP****ELECTRICAL**

<b>Voltage:</b>	220V-240V
-----------------	-----------