

## PRODUCT DATA SHEET

### Tolomeo mini tavolo - Fluo darklight Aluminum



#### DESIGN BY :

Michele De Lucchi , Giancarlo Fassina  
1987

#### MATERIALS :

Polished aluminium, matt anodised aluminium

#### DESCRIPTION :

Base and cantilevered arms in polished aluminium; diffuser in matt anodised aluminium; joints and supports in polished aluminium. System of spring balancing.

Interchangeable support: table base, clamp, desk fixed support and twin support that allows two independent lamp units to be fitted.

#### Light emission



Direct Adjustable

IP 20     

### TECHNICAL DATA SHEET

#### FEATURES

Product name:	Tolomeo mini tavolo - Fluo darklight Aluminum
Article Code:	<b>A008600 + A006000</b>
Colour:	Aluminium
Material:	Polished aluminium, matt anodised aluminium
Support:	Base
Support colour:	Aluminium
Series:	Design
Environment:	Indoor
Area contract:	Hospitality Hotel, Office, Private Residence

#### OPTICS

Emission:	Direct Adjustable
-----------	-------------------

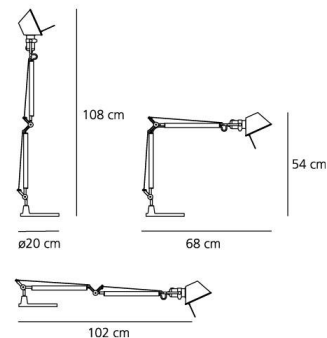
#### DIMENSIONS

Length:	(cm) 54
Height:	(cm) 54
Base Diameter:	(cm) 20
Max Extension Height:	(cm) 108
Max Extension Length:	(cm) 102
Cutout shape:	

#### LAMPS INCLUDED

Category:	FLUO
Number:	1
Lbs:	Tc-del
Watt:	18
Socket:	G24q-2
Type:	Fsh
Colour Rendering:	1b
Colour temperature (K):	3000
Duration (h):	12000

#### DIMENSIONS



#### LAMP

IP 20     

#### ELECTRICAL

Voltage:	220V-240V
----------	-----------

## ACCESSORIES

---



TOLOMEO SUPP.TAVOLO  
FISSO A004200



TOLOMEO MORSETTO  
A004100



TOLOMEO SUPPORTO  
TAVOLO TWIN A004300