

PRODUCT DATA SHEET

Tolomeo micro parete - Halo Aluminium

MYWHITELIGHT®



DESIGN BY :

Michele De Lucchi , Giancarlo Fassina
2006

MATERIALS :

Anodized aluminium, polished aluminium

DESCRIPTION :

Cantilevered arms in polished aluminium; diffuser in anodised aluminium; joints and wall support in polished aluminium. System of spring balancing.

Light emission



Direct Adjustable

IP 20     

TECHNICAL DATA SHEET

FEATURES

Product name:	Tolomeo micro parete - Halo Aluminium
Article Code:	A010900 + A025150
Colour:	Aluminium
Material:	Anodized aluminium, polished aluminium
Support:	Wall
Support colour:	Polished aluminium
Series:	Design, My White Light
Environment:	Indoor

OPTICS

Emission:	Direct Adjustable
-----------	-------------------

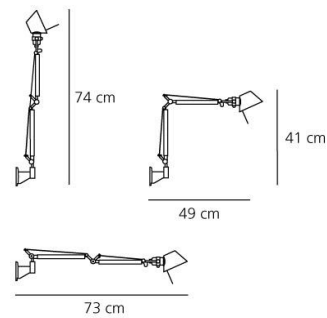
DIMENSIONS

Length:	(cm) 49
Height:	(cm) 41
Max Extension Height:	(cm) 74
Max Extension Length:	(cm) 73
Cutout shape:	

LAMPS NOT INCLUDED

Category:	HALO
Number:	1
Lbs:	Qt26
Watt:	60
Socket:	E14
Type:	N/s
Colour Rendering:	1a
Colour temperature (K):	N/s

DIMENSIONS



LAMP

IP 20     

ELECTRICAL

Voltage:	220V-240V
----------	-----------