

PRODUCT DATA SHEET

Tolomeo micro tavolo - Halo Aluminium



DESIGN BY :

Michele De Lucchi , Giancarlo Fassina
1987

MATERIALS :

Polished aluminium, matt anodised aluminium

DESCRIPTION :

Base and cantilevered arms in polished aluminium; diffuser in matt anodised aluminium; joints and supports in polished aluminium. System of spring balancing.

Interchangeable support: table base, clamp, desk fixed support and twin support that allows two independent lamp units to be fitted.

Light emission



Direct Adjustable

IP 20     

TECHNICAL DATA SHEET

FEATURES

Product name:	Tolomeo micro tavolo - Halo Aluminium
Article Code:	A011800
Colour:	Aluminium
Material:	Polished aluminium, matt anodised aluminium
Support:	Base
Support colour:	Aluminium
Series:	Design
Environment:	Indoor
Area contract:	Hospitality Hotel, Office, Private Residence

OPTICS

Emission:	Direct Adjustable
-----------	-------------------

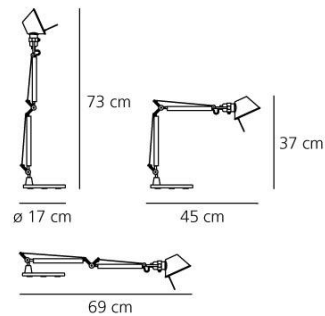
DIMENSIONS

Length:	(cm) 45
Height:	(cm) 37
Base Diameter:	(cm) 17
Max Extension Height:	(cm) 73
Max Extension Length:	(cm) 69
Cutout shape:	

LAMPS NOT INCLUDED

Category:	HALO
Number:	1
Lbs:	Qt26
Watt:	60
Socket:	E14
Type:	N/s
Colour Rendering:	1a
Colour temperature (K):	N/s

DIMENSIONS



LAMP

IP 20     

ELECTRICAL

Voltage:	220V-240V
----------	-----------

ACCESSORIES



TOLOMEO SUPP.TAVOLO
FISSO A004200



TOLOMEO MORSETTO
A004100



TOLOMEO SUPPORTO
TAVOLO TWIN A004300



TOLOMEO MICRO INC CPO
LAMP. A010900