

## PRODUCT DATA SHEET

### Tolomeo basculante parete - Parchment 180

**DESIGN BY :**

Michele De Lucchi , Giancarlo Fassina  
2004

**MATERIALS :**

Polished aluminium, parchment paper and plastic

**DESCRIPTION :**

Cantilevered arms in polished aluminium; diffuser in parchment paper on a plastic frame; wall support in polished aluminium. System of spring balancing.

The diffuser normally used, remains vertical regardless of the angle of the arm.

**Light emission**

Diffused and adjustable

IP 20    

### TECHNICAL DATA SHEET

**FEATURES**

<b>Product name:</b>	Tolomeo basculante parete - Parchment 180
<b>Article Code:</b>	<b>0947010A + A025150</b>
<b>Colour:</b>	Natural
<b>Material:</b>	Polished aluminium, parchment paper and plastic
<b>Support:</b>	Wall
<b>Support colour:</b>	Mirror
<b>Series:</b>	Design
<b>Environment:</b>	Indoor
<b>Area contract:</b>	Private Residence

**OPTICS**

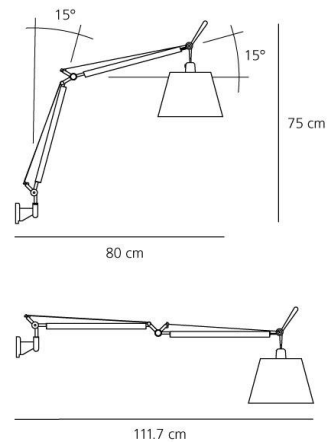
<b>Emission:</b>	Diffused and adjustable
------------------	-------------------------

**DIMENSIONS**

<b>Length:</b>	(cm) 80
<b>Height:</b>	(cm) 75
<b>Max Extension Length:</b>	(cm) 112
<b>Cutout shape:</b>	

**LAMPS NOT INCLUDED**

<b>Category:</b>	HALO
<b>Number:</b>	1
<b>Lbs:</b>	Qa60
<b>Watt:</b>	70
<b>Socket:</b>	E27
<b>Type:</b>	Hsgsa/c/ub
<b>Colour Rendering:</b>	1a
<b>Colour temperature (K):</b>	2900
<b>Duration (h):</b>	2000

**DIMENSIONS****LAMP**

IP 20    