

## PRODUCT DATA SHEET

### Tolomeo basculante tavolo - Parchment 180

**DESIGN BY :**

Michele De Lucchi , Giancarlo Fassina  
2004

**MATERIALS :**

Aluminium, parchment paper and plastic

**DESCRIPTION :**

Base and cantilevered arms in polished aluminium; diffuser in parchment paper or in silk satin fabric on a plastic frame; joints in polished aluminium. System of spring balancing.

Interchangeable support: table base, clamp, desk fixed support and twin support that allows two independent lamp units to be fitted. The diffuser normally used, remains vertical regardless of the angle of the arm.

**Light emission**

IP 20    

### TECHNICAL DATA SHEET

**FEATURES**

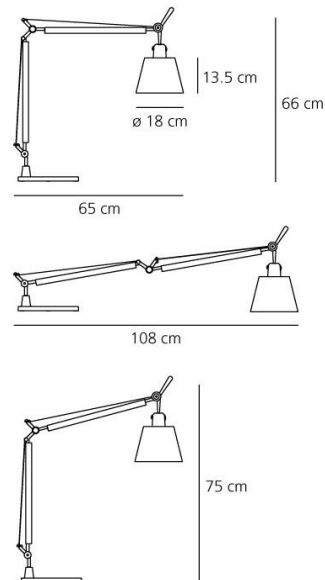
<b>Product name:</b>	Tolomeo basculante tavolo - Parchment 180
<b>Article Code:</b>	<b>0947010A + A004030</b>
<b>Colour:</b>	Natural
<b>Material:</b>	Aluminium, parchment paper and plastic
<b>Support:</b>	Base
<b>Support colour:</b>	Aluminium
<b>Series:</b>	Design
<b>Environment:</b>	Indoor
<b>Area contract:</b>	Private Residence

**DIMENSIONS**

<b>Height:</b>	(cm) 66
<b>Cutout width:</b>	(cm) 18
<b>Base Diameter:</b>	(cm) 23
<b>Max Extension Height:</b>	(cm) 75
<b>Max Extension Length:</b>	(cm) 108
<b>Cutout shape:</b>	

**LAMPS NOT INCLUDED**

<b>Category:</b>	HALO
<b>Number:</b>	1
<b>Lbs:</b>	Qa60
<b>Watt:</b>	70
<b>Socket:</b>	E27
<b>Type:</b>	Hsgsa/c/ub
<b>Colour Rendering:</b>	1a
<b>Colour temperature (K):</b>	2900
<b>Duration (h):</b>	2000

**DIMENSIONS****LAMP**

IP 20    

## ACCESSORIES

---



TOLOMEO SUPP.TAVOLO  
FISSO A004200



TOLOMEO MORSETTO  
A004100



TOLOMEO SUPPORTO  
TAVOLO TWIN A004300