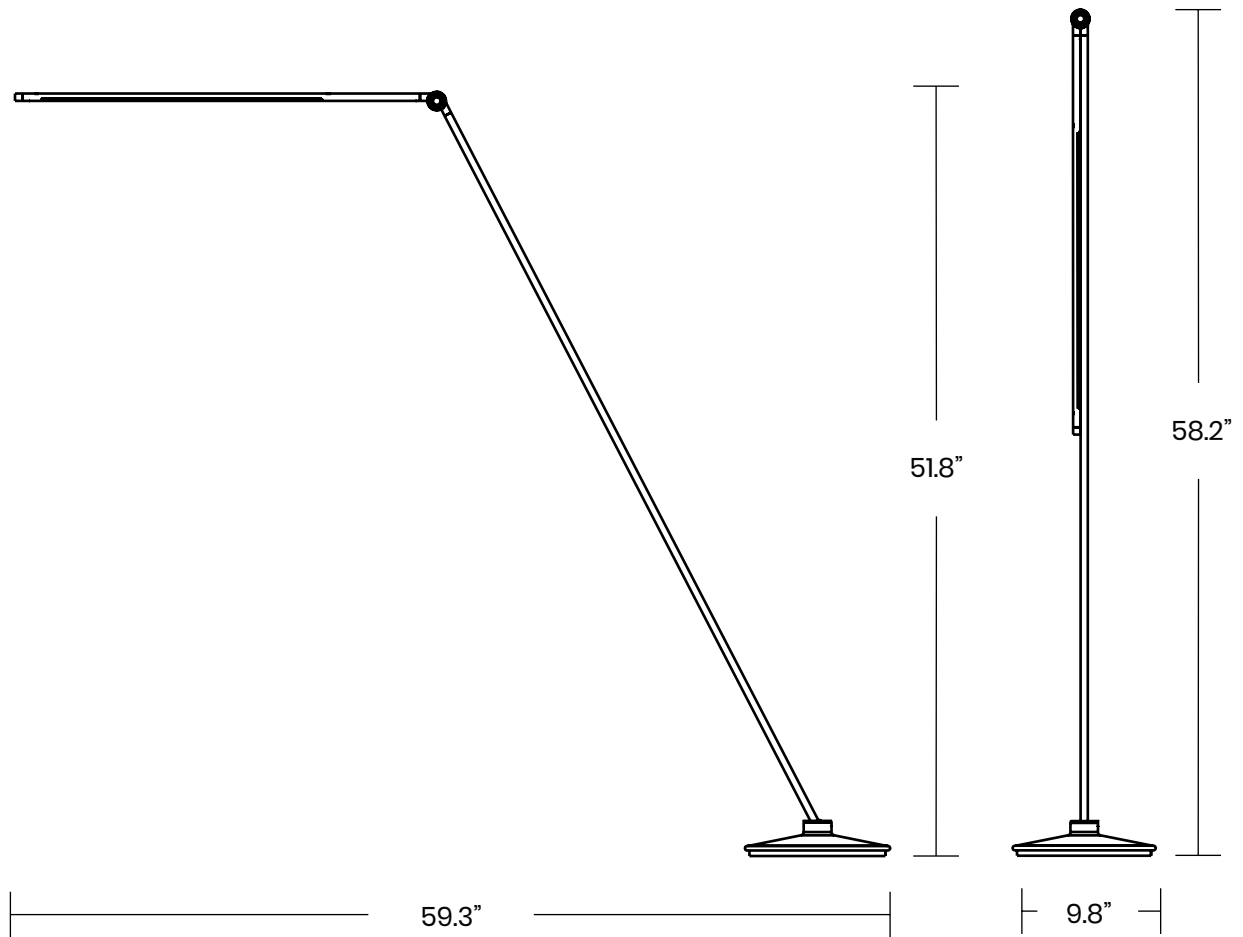


# JUNIPER



## THIN Floor Lamp

### HARDWARE/FINISH OPTIONS

Satin Brass, Black Oxide, Satin Nickel

### DIMENSIONS

9.8" x 9.8" x 58.2" (closed)  
59.3" x 9.8" x 51.8" (extended)  
14 lbs

### MOUNTING

Standard Base

### LED ILLUMINATION

3000k  
85CRI  
50,000 hours  
7 watts  
0-500 lumens (diffused)

### SWITCHING/DIMMING

Integrated Dimming Knob

### MATERIALS

Solid brass  
Cast iron

### CORD LENGTH

5 ft

### CERTIFICATION

cUL

### DESIGNER

Peter Bristol