

# T700.H.MINI Curve LED Track Light

## Datasheet

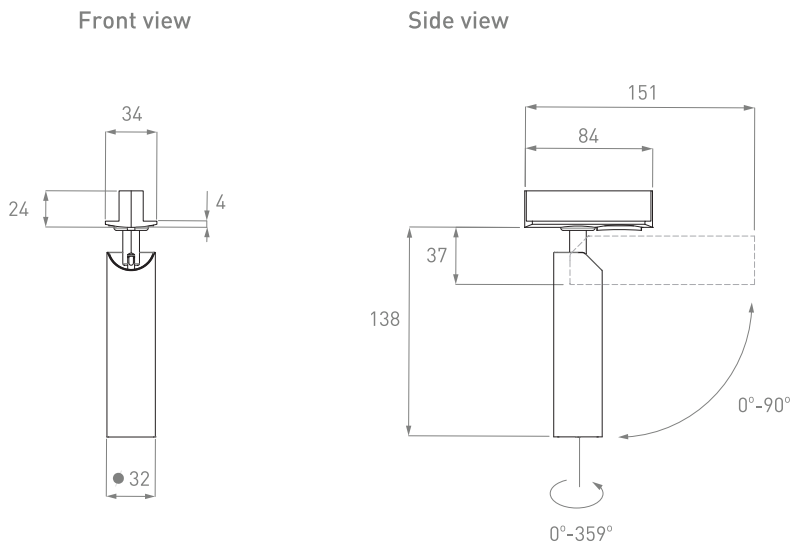


**TRU-COLOUR®**

### Product Codes

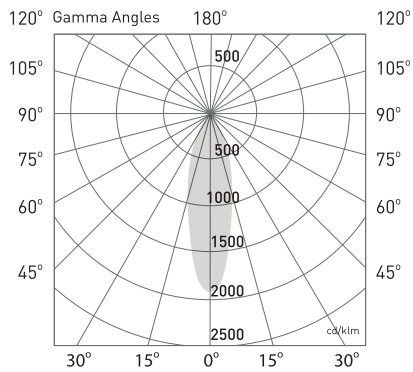
Unit:	Track Type:	Family:	Colour temp. (K):	Beam Angle:	Color:	Driver:	Version:
T700.H.MINI	H1	CR	1.8K.3.1K (1800K-3100K) (Nightshift Dim to Warm) [Special Order] 2.7K (2700K) [Special Order] 3K (3000K) 4K (4000K) [Special Order] 5K (5000K) [Special Order]	36° 50° [Special Order]	B (BLACK) W (WHITE)	PHASE (PHASE)	1.0

### Dimensions (mm)

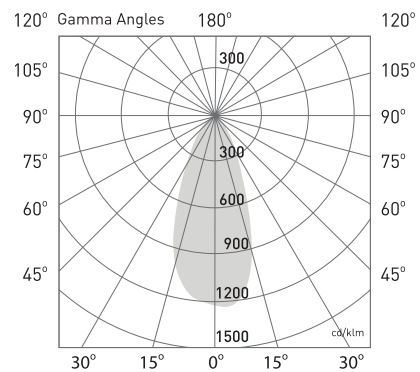


## Photometrics

### Photometric Diagram



Beam Angle: 36°



Beam Angle: 50°

### CCT Outputs

**CCT:** 1800K-3100K  
**Efficacy:** 71lm/W  
**Delivered lumen output:** 640lm  
**CRI:** 98  
**Standard deviation of colour**  
**Matching (SDCM):** 3 MacAdam steps

**CCT:** 2700K  
**Efficacy:** 70lm/W  
**Delivered lumen output:** 630lm  
**CRI:** 98  
**Standard deviation of colour**  
**Matching (SDCM):** 3 MacAdam steps

**CCT:** 3000K  
**Efficacy:** 71lm/W  
**Delivered lumen output:** 640lm  
**CRI:** 98  
**Standard deviation of colour**  
**Matching (SDCM):** 3 MacAdam steps

**CCT:** 4000K  
**Efficacy:** 73lm/W  
**Delivered lumen output:** 655lm  
**CRI:** 98  
**Standard deviation of colour**  
**Matching (SDCM):** 3 MacAdam steps

**CCT:** 5000K  
**Efficacy:** 79lm/W  
**Delivered lumen output:** 710lm  
**CRI:** 98  
**Standard deviation of colour**  
**Matching (SDCM):** 3 MacAdam steps

## Electrical

**Input Voltage:**  
220V-265V

**Power Usage:**  
9W

**Driver Power Factor:**  
>0.9

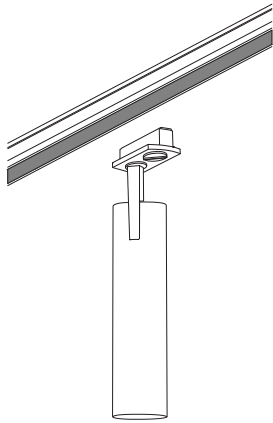
**IP Rating:**  
IP44

## Operational

**Ambient Temp.:**  
-20°C to 50°C

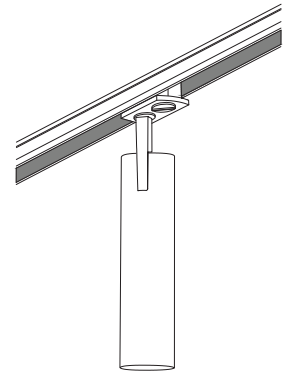
**Warranty:**  
7 Years

**Lifetime:**  
70,000hrs



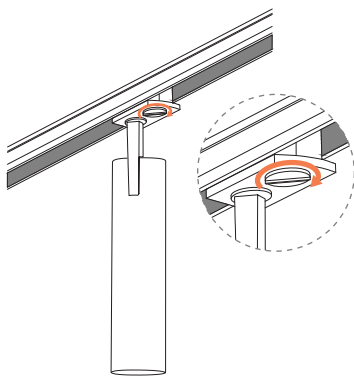
### Step 1

Align the track connector with the track



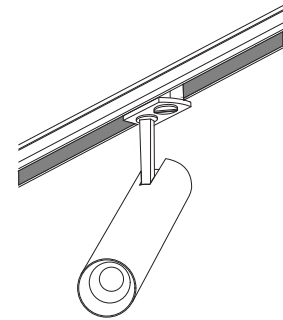
### Step 2

Insert the T700.H.MINI-CR into the track channel, ensuring the track base tabs are in the open position and that the direction of the T700.H.MINI-CR is correct. This is dependant on where the contact points are in the track.



### Step 3

Rotate the locking mechanism into the track base to secure the fitting.



### Step 4

Once the light is locked into the track, orient the luminaire to focus the light as required.