

T550.SNAP Curve LED Snap Light

Datasheet

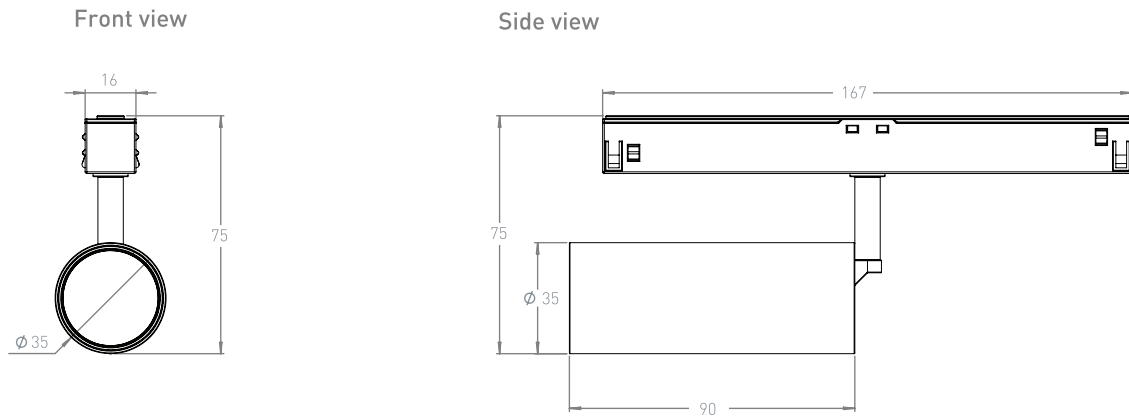


TRU-COLOUR®

Product Codes

Unit: T550	Track Type: SNAP (Snap Track)	Family: CR	Colour temp. (K): 3K (3000K) 4K (4000K) 3K.5K (3000K-5000K) Dayshift Tunable)	Beam Angle: 36 (36°)	Color: B (Black) W (White)	Driver: 010V (0-10V) DALI (DALI) ZIGBEE (ZIGBEE)	Version: 1.0
----------------------	--	----------------------	--	--------------------------------	---	--	------------------------

Dimensions (mm)



Photometrics

CCT: 3000K
Efficacy: 70lm/W
Lumen output: 490lm
CRI: CRI98

CCT: 4000K
Efficacy: 71lm/W
Lumen output: 500lm
CRI: CRI98

CCT: 3000K - 5000K
Efficacy: 70lm/W
Lumen output: 490lm
CRI: CRI98

Electrical

Input Voltage:
DC48V

Power Usage:
7W

Driver Power Factor:
>0.6

IP rating:
IP20

Surge Protection:
3100V

Dimmable:
Yes

Driver:
010V (0-10V)
DALI (DALI)
ZIGBEE (ZIGBEE)

Operational

Ambient Temp.:
-20°C to +45°C

Storage Temp.:
10°C to +30°C

Lifetime L70, B10:
40,000hrs

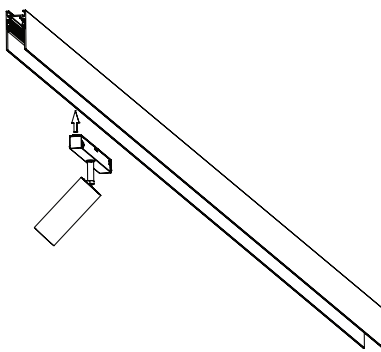
Physical

Warranty:
5 Years

Track Type:
SNAP Track

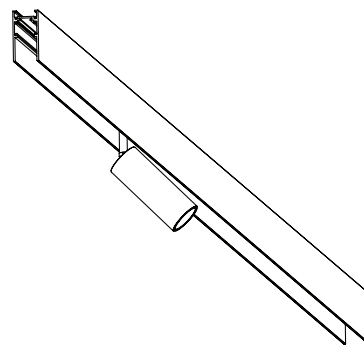
Version:
1.0

Installation



Step 1

Insert the light into the track, you should feel and hear the light snap securely in place.



Step 2

Once the light is locked into the track, orient the luminaire to focus the light as required.