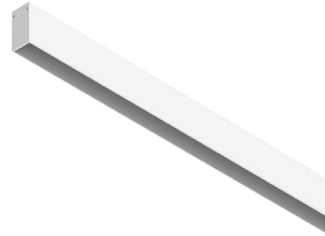


Snap Track - Surface

Datasheet



Product Codes

Unit: SS (Snap Surface)	Length (m): 1 2	Color: B (Black) W (White)
-----------------------------------	------------------------------	---

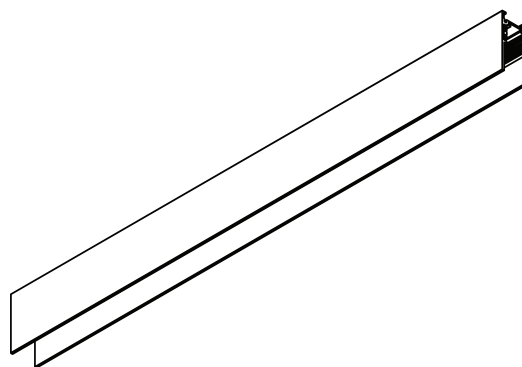
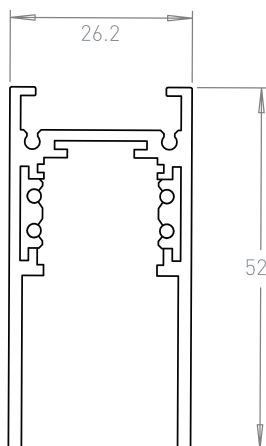
Accessories Codes

Unit: LC.SIDE (L Corner Side) LC.IN (L Corner Inside) LC.OUT (L Corner Outside) SMB (Surface-mount Bracket)	Snap Type: SS/SP (Snap Surface / Snap Pendant)	Color: B (Black) W (White)
--	--	---

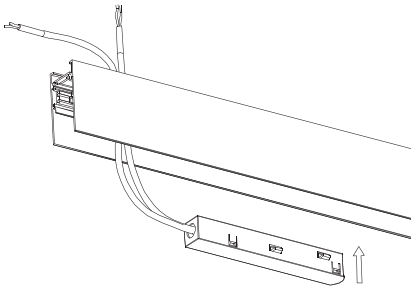
Unit: CB (Connection Bracket)	Snap Type: SS/SP/SRT (Snap Surface / Snap Pendant / Snap Recessed Trimless)	Color: B (Black) W (White)
---	---	---

Unit: LEC (Live End Connector) LFC (Live Flexible Connector) LSC (Live Straight Connector) EC.AL (Aluminum End Cap)	Snap Type: SS/SP/SR/SRT (Snap Surface / Snap Pendant / Snap Recessed / Snap Recessed Trimless)	Color: B (Black) W (White)
--	---	---

Track Dimensions (mm)

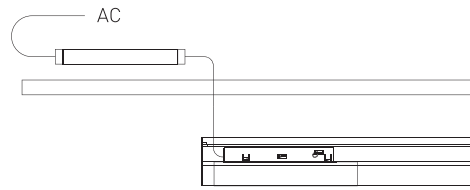


Installation



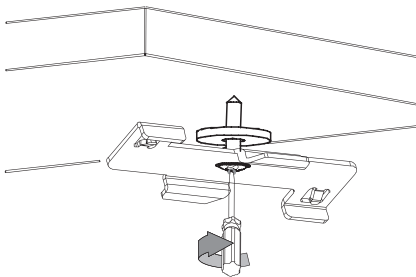
Step 1

Snap Live end connector into track light and thread through rear of the track.



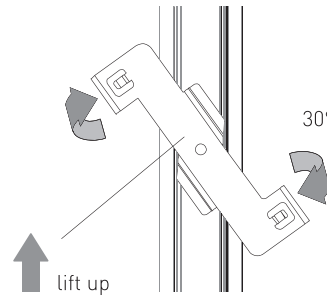
Step 2

Wire cable from end connector into driver.



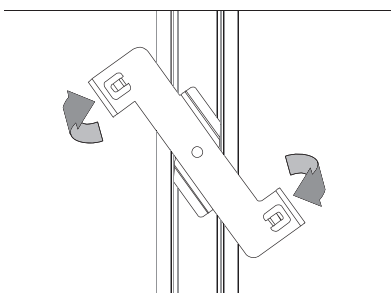
Step 3

Attach surface mount bracket to ceiling using screw and washer provided.



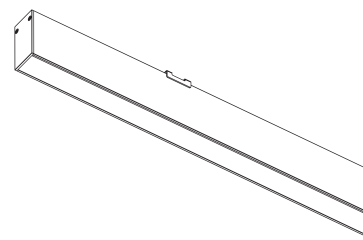
Step 4

Rotate surface mount 30°, and lift up track length so that the bracket fits into the middle of the rear of the track.



Step 5

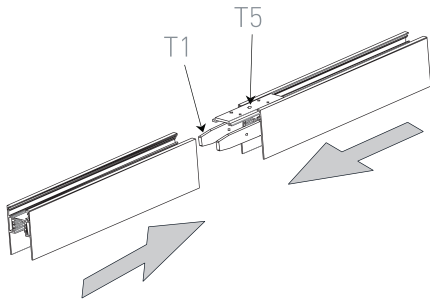
Rotate surface mount bracket to align with snap track, should click when properly fastened



Step 6

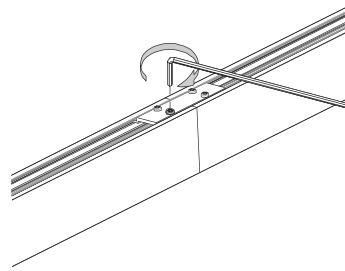
Installation complete.

Attaching Lengths



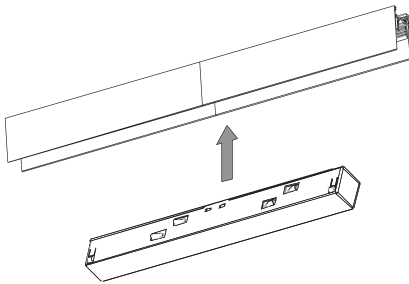
Step 1

Insert the 3 brackets provided into the box.



Step 2

Fix with screws provided.



Step 3

Insert straight connector.