

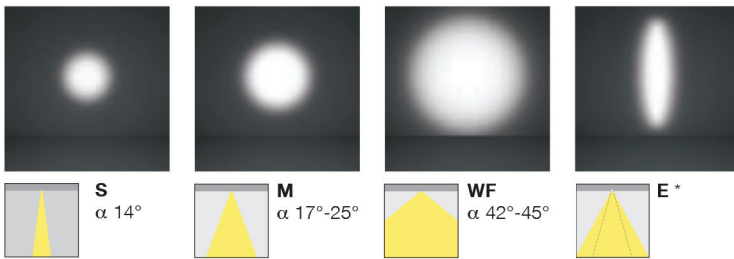
- Miniaturized adjustable floodlight complete with adapter for installation on 48V low voltage track.
- Made of die-cast aluminium with a passive dissipation system.
- The thermoplastic adapter includes the DC/DC driver circuit with a dimmable DALI power line function.

- The built-in "power line" technology allows independent dimming and switching on for each floodlight mounted on the track.
- The floodlight ball joints allow 360° rotation and 160° tilt with the possibility of installing the floodlight on a 48V track in the "up" (with Superrail) and down" positions alike.

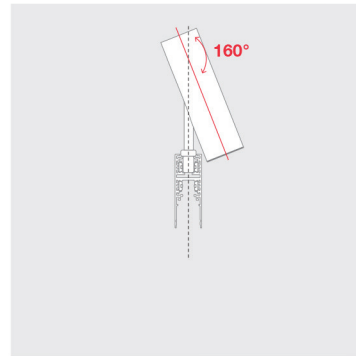
- The optical unit in the rear position ensures high visual comfort.
- High definition lens in thermoplastic material with the possibility of using additional accessories to assure other lighting effects.
- The ø 62 versions also use Opti Beam Reflectors.

- Fast electrical and mechanical connection system for the adapter on the track without the need for tools.

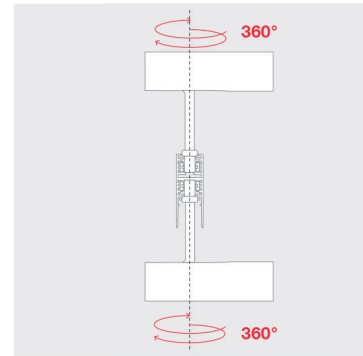
**Optics**



\*Elliptical optics are obtained by installing the specific accessory.



160° up light tilt



360° rotation - up/down light



White

Black

**Decorative cylindrical screen**



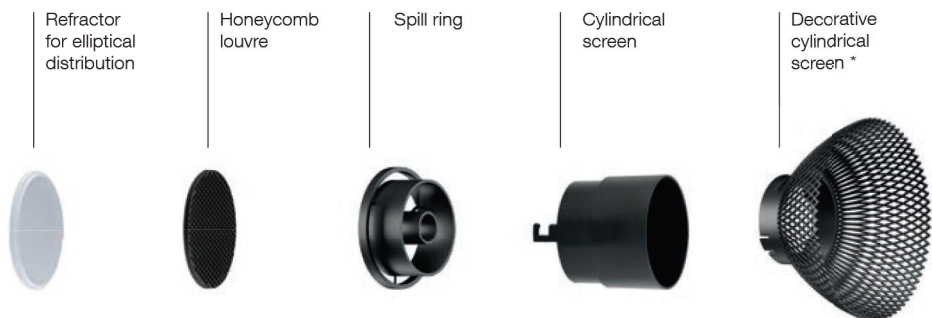
Black

White

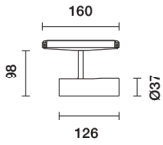
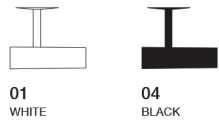
Bronze

**Accessories**

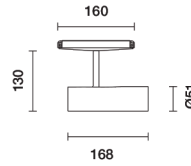
Optical and photometric accessories to expand, modulate and screen light emissions. A decorative accessory (customisable on request) adds a distinctive detail to characterise the solution in the setting by highlighting its uniqueness.



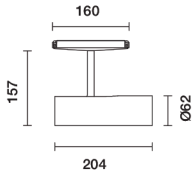
\* Customisable accessory.  
 For more information consult iguzzini



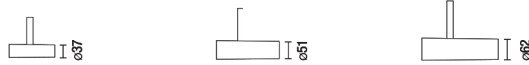
source		system		optic	code	colour
W	lm	W	lm			
<b>LED</b>						
4000K - CRI 90 - DALI						
10,1W	940	13,3W	610	17°	<b>QV44</b>	01-04
10,1W	940	13,3W	600	25°	<b>QV47</b>	01-04
10,1W	940	13,3W	570	45°	<b>QV50</b>	01-04
3000K - CRI 90 - DALI						
10,1W	866	13,3W	563	17°	<b>QV43</b>	01-04
10,1W	866	13,3W	550	25°	<b>QV46</b>	01-04
10,1W	866	13,3W	525	45°	<b>QV49</b>	01-04
2700K - CRI 90 - DALI						
10,1W	820	13,3W	530	17°	<b>QV42</b>	01-04
10,1W	820	13,3W	520	25°	<b>QV45</b>	01-04
10,1W	820	13,3W	500	45°	<b>QV48</b>	01-04



source		system		optic	code	colour
W	lm	W	lm			
<b>LED</b>						
4000K - CRI 90 - DALI						
15,7W	1506	15,7W	1010	14°	<b>QV53</b>	01-04
14,4W	1506	15,7W	1000	27°	<b>QV56</b>	01-04
14,4W	1506	15,7W	980	43°	<b>QV59</b>	01-04
3000K - CRI 90 - DALI						
14,4W	1420	15,7W	950	14°	<b>QV52</b>	01-04
14,4W	1420	15,7W	940	27°	<b>QV55</b>	01-04
14,4W	1420	15,7W	920	43°	<b>QV58</b>	01-04
2700K - CRI 90 - DALI						
14,4W	1319	15,7W	880	14°	<b>QV51</b>	01-04
14,4W	1319	15,7W	870	27°	<b>QV54</b>	01-04
14,4W	1319	15,7W	850	43°	<b>QV57</b>	01-04



source		system		optic	code	colour
W	lm	W	lm			
<b>LED</b>						
4000K - CRI 90 - DALI						
18W	1774	20W	1187	14°	<b>QV62</b>	01-04
22,7W	2569	24,7W	2003	26°	<b>QV65</b>	01-04
22,7W	2569	24,7W	2003	42°	<b>QV68</b>	01-04
3000K - CRI 90 - DALI						
18W	1672	20W	1121	14°	<b>QV61</b>	01-04
22,7W	2529	24,7W	1972	26°	<b>QV64</b>	01-04
22,7W	2529	24,7W	1972	42°	<b>QV67</b>	01-04
2700K - CRI 90 - DALI						
18W	1553	20W	1040	14°	<b>QV60</b>	01-04
22,7W	2429	24,7W	1895	26°	<b>QV63</b>	01-04
22,7W	2426	24,7W	1895	42°	<b>QV66</b>	01-04



Optical accessories	code	colour	code	colour	code	colour
Honeycomb louvre	<b>MZ43</b>	04	<b>MZ45</b>	04	<b>MZ81</b>	04
Spill ring	<b>MZ49</b>	04	<b>MZ52</b>	04	---	---
Refractor for elliptical distribution	<b>MZ47</b>	24	<b>MZ50</b>	24	---	---
medium	---	---	---	---	<b>MY24</b>	24
Cylindrical screen	<b>MZ48</b>	04-47	<b>MZ51</b>	04-47	<b>MZ55</b>	04-47
Decorative cylindrical screen	<b>PA99</b>	01-04-69	<b>PB01</b>	01-04-69	<b>PB02</b>	01-04-69

