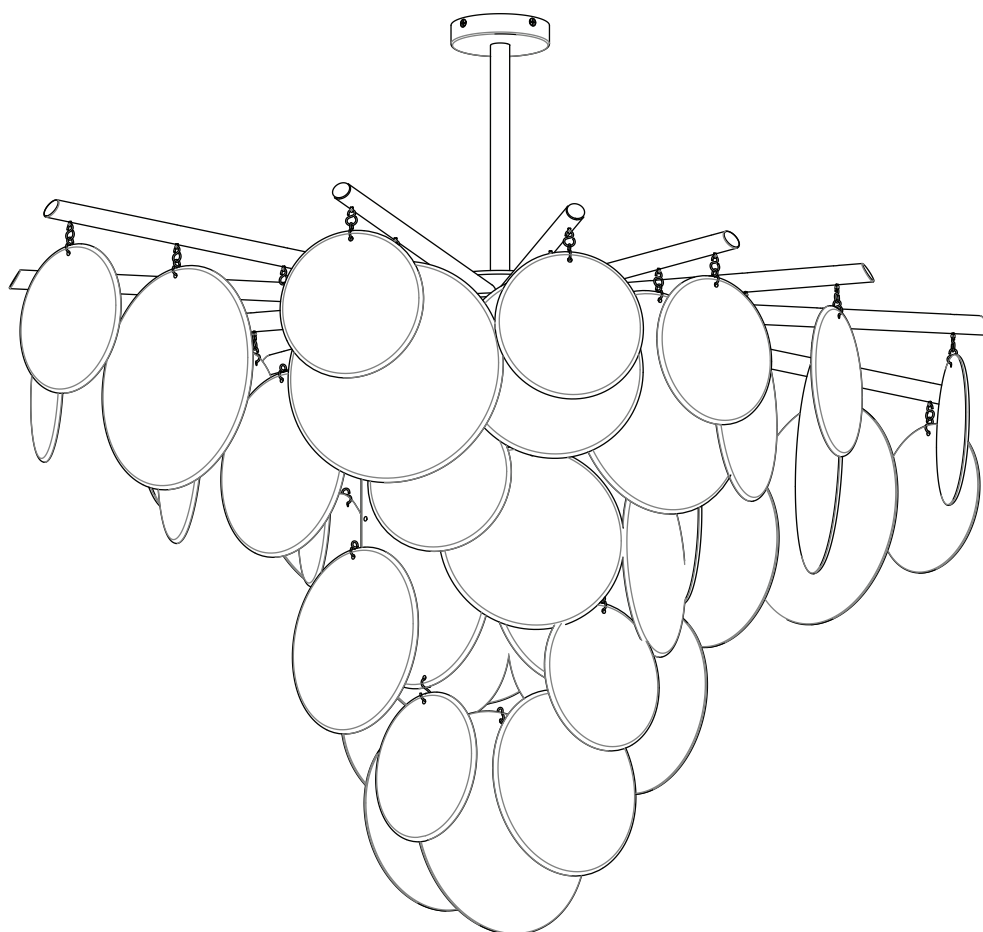


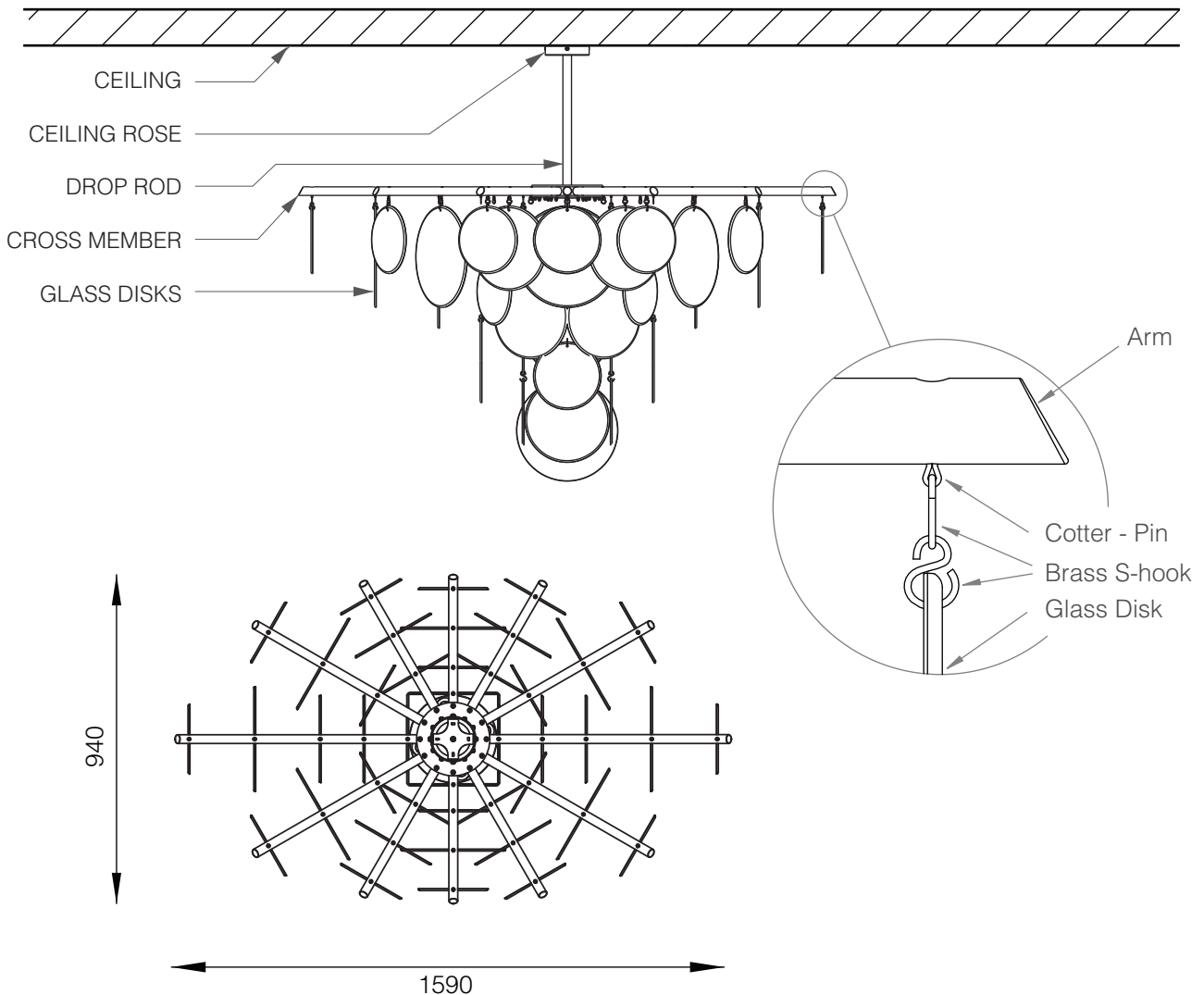
Nimbus Pendant



! Please handle with care and wear gloves at all times during assembly and installation to avoid damaging or marking components.

OPERATING & MAINTENANCE

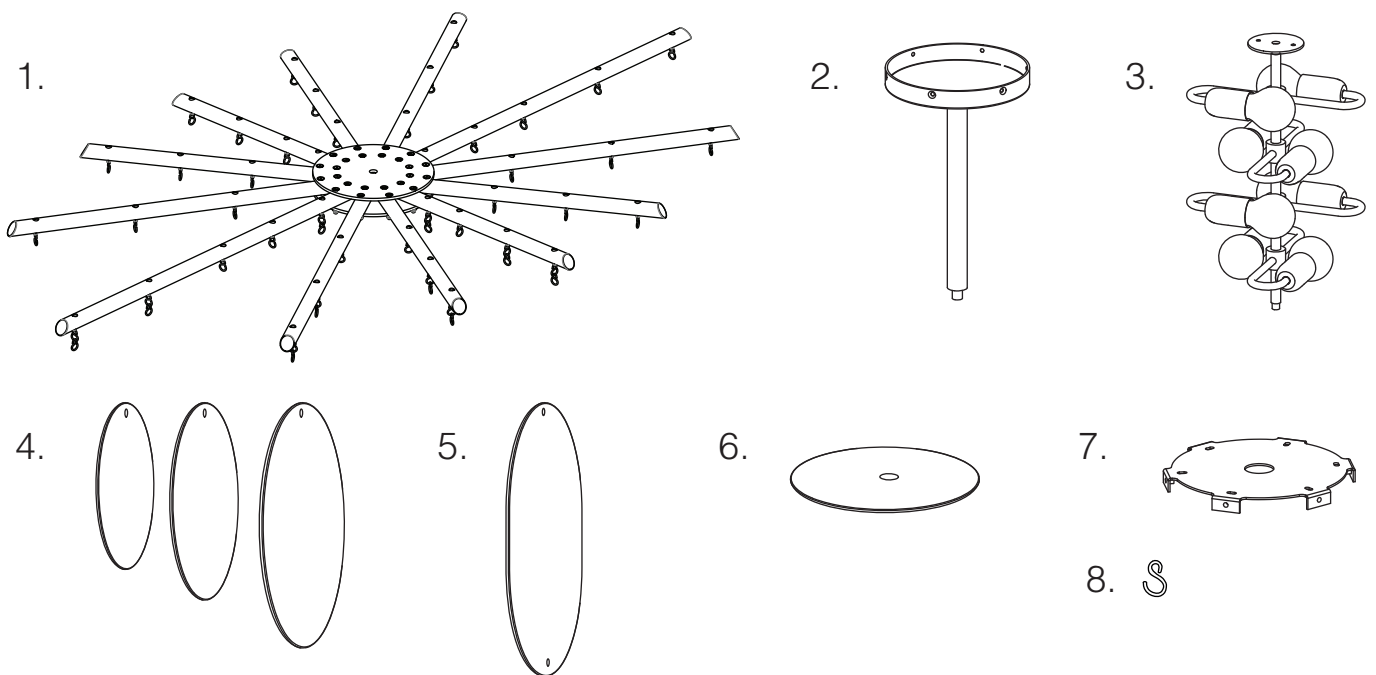
bulb holder	8 x E27
wattage	8 x 60 watts
power supply requirements	240V AC 50Hz
weight	55kg (121 lbs)
cleaning	dust using a dry lint-free cloth weekly or as required
structural	check every 6 months to ensure the integrity has been maintained
replacement/repairs	please contact CTO Lighting
warranty	CTO Lighting warranty, 1 year from date of delivery
certification	<ul style="list-style-type: none">• our fittings are manufactured in accordance with EN 60598• our fittings are not UL listed – please contact CTO Lighting /dealer should you require a fitting to be UL Listed



BEFORE INSTALLATION

- Installation **must** be carried out by a qualified electrician.
- A minimum of **three people** are required to install this pendant.
- Check that the ceiling and fixing components are suitable and strong enough to support the weight of the pendant.
- If height adjustment on site is required please see height adjustment instructions on page 6 before you start assembling the pendant.

PARTS & COMPONENTS



1. **1 x Cross Member**

2. **1 x Drop Rod & Ceiling Cover Box**

3. **1 x S - Arm Assembly**

4. **Round glass disks (ref. section 7)**

- | | |
|--|-------------------|
| 2 x A1 (200mm OD) | 4 x B1 (200mm OD) |
| 2 x A2 (300mm OD) | 4 x B2 (300mm OD) |
| 2 x A3 (250mm OD) | 4 x B3 (200mm OD) |
| 2 x A4 (250mm OD) | |
| 2 x A5 (Oval glass + 200mm OD) | |
| 1 x Central glass drop (Chain +300mm OD) | |

5. **4 x Long Glass Disks**

6. **1 x Bottom Glass Disk**

7. **Ceiling Back Plate**

8. **Spare hooks**

- | | |
|-------------------|--------------------------------|
| 4 x C1 (200mm OD) | 2 x D1 (200mm OD) |
| 4 x C2 (250mm OD) | 2 x D2 (300mm OD) |
| 4 x C3 (250mm OD) | 2 x D3 (200mm OD) |
| | 2 x D4 (Oval glass + 250mm OD) |

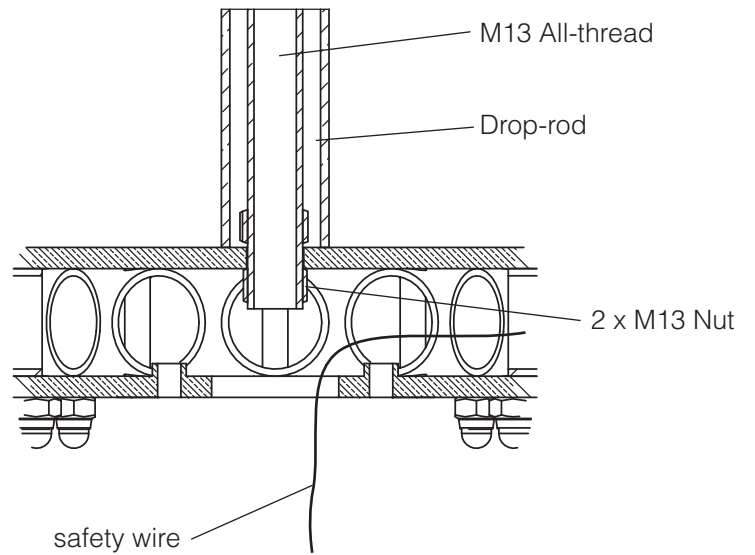
- All nuts and bolts required for the installation will be included in the delivery.

- All glass disks will be supplied labeled and ready to be mounted on to the cross member (Hooks and/or chain attached).

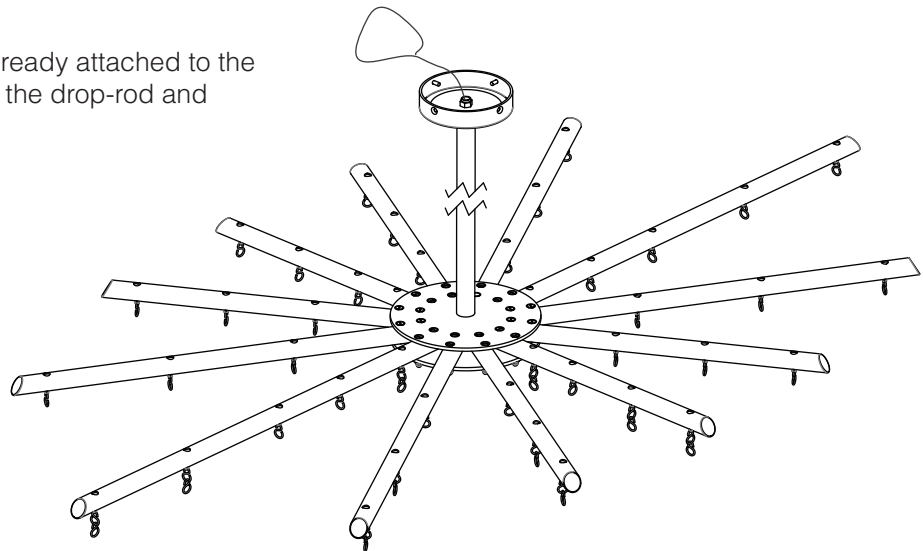
- Few spare hooks are supplied, use them only in the occasion of some missing from the glass-disks.

INSTALLATION

1. Use 2 x M13 Nuts (provided) to assemble the drop rod (M13 all-thread) with the top plate of the cross member (socket set required).



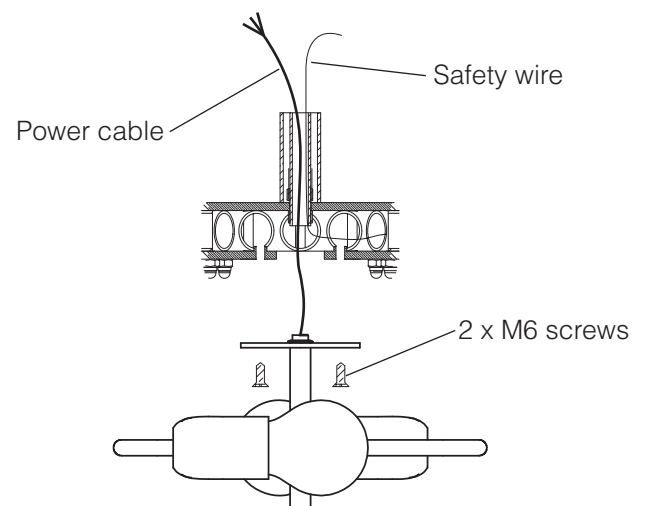
2. Insert the safety wire (already attached to the cross-member) through the drop-rod and ceiling cover plate.



3. Mount the S - Arm Assembly onto the cross member bottom plate.

Insert the power cable through the cross member and drop rod, and pull through and out of the ceiling cover box.

Use the 2 x M6 screws (provided) to mount the S - Arm Assembly on to the cross member bottom plate.

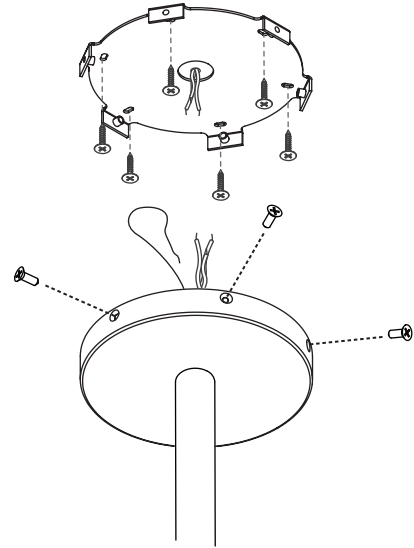


- 4.** Screw the ceiling back plate to the ceiling. Ensure that suitable screws are being used for the surface you are mounting to.

Attach the safety wire onto a strong and stable point on the ceiling to secure the pendant (strong enough to support 100kg).

Connect the mains feed to the power cable of the fitting inside the ceiling box (see wiring instructions).

Lift the pendant and attach the ceiling rose to the back plate using the 6 x screws provided.



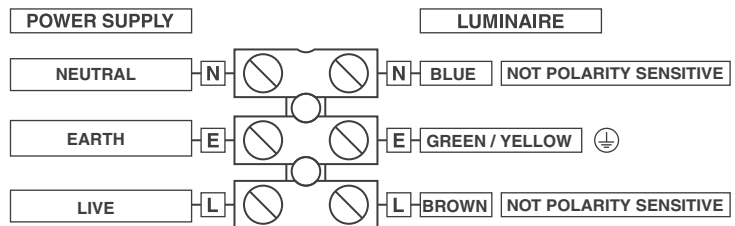
WIRING INSTRUCTIONS

This pendant has three wires;

Blue - Neutral
Green/Yellow - Earth
Brown - Live

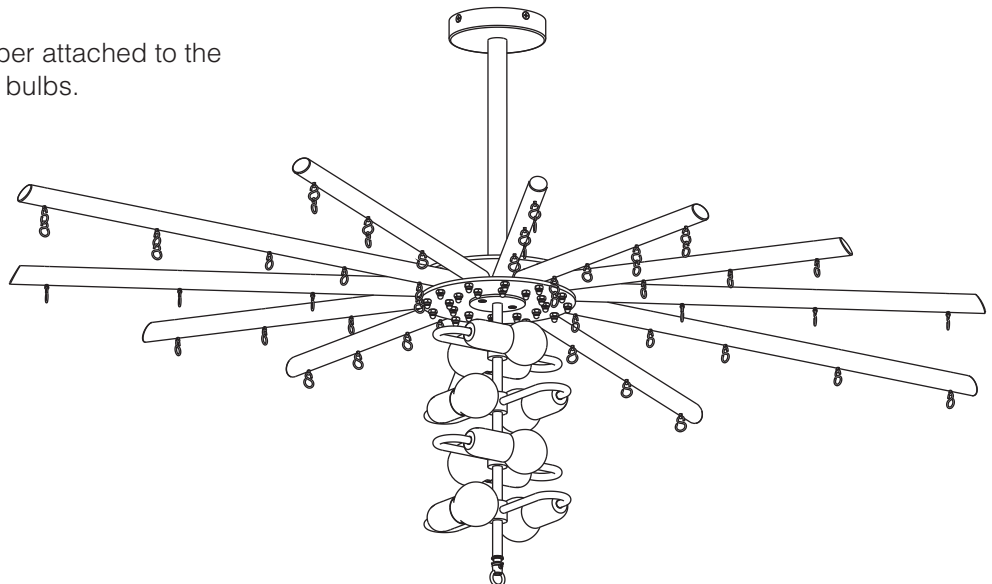
WARNING !

- Electricity can be dangerous.
- Do not attempt to fit installation unless you are a qualified electrician.
- Before commencing installation ensure the power supply is disconnected at the fuse box.



Ensure the power supply is connected in accordance with the wiring diagram shown above. When making connections ensure that the terminals are securely tightened and that no strands of wire protrude. This product must be connected to earth termination.

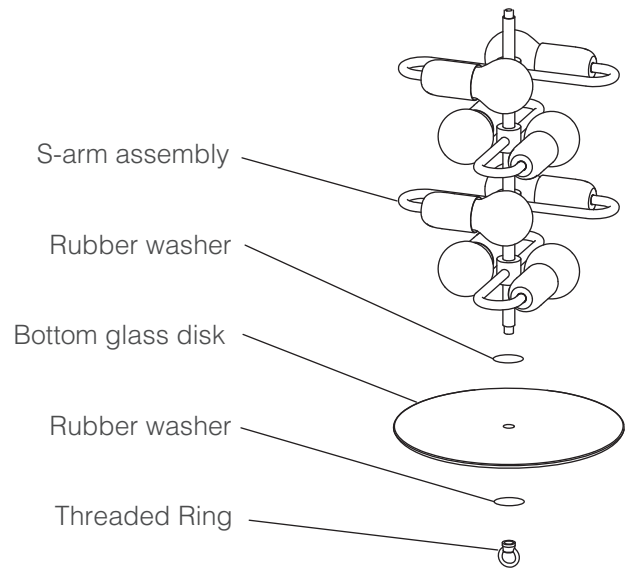
- 5.** With the cross member attached to the ceiling, fit the 8 light bulbs.



- 6.** Fit the bottom glass disk to the S-arm assembly using the threaded ring and rubber washers each side of the glass (as shown in diagram).

Do not over tighten the threaded ring as it may cause the glass disk to crack.

Tighten M3 screw located on the side of the threaded ring to secure the glass disk.

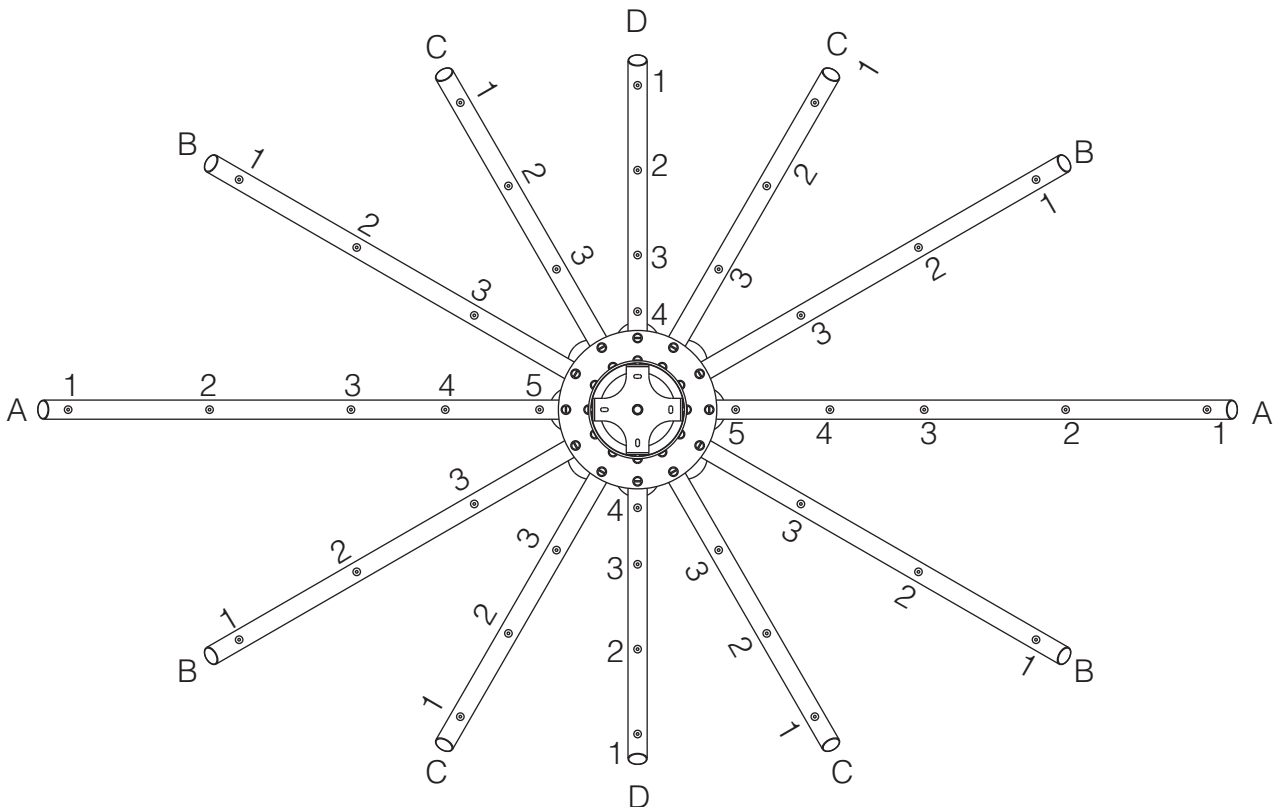


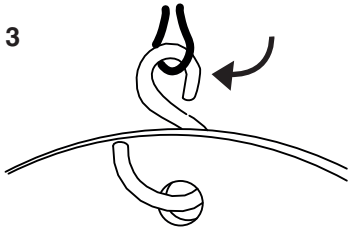
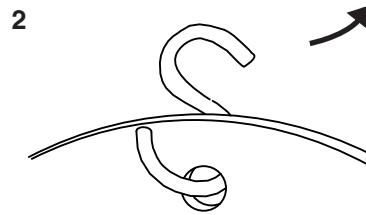
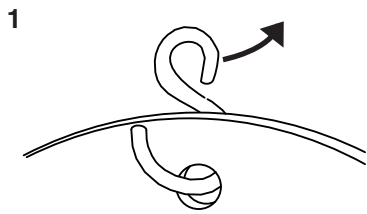
- 7.** Using the below diagram and the labeled glass, hang the vertical glass disks on to the cross-member's arms.

Start from the centre of the pendant (4 x long glass disks: A5 & D4) and evenly work your way outwards with the weight evenly distributed.

Note:

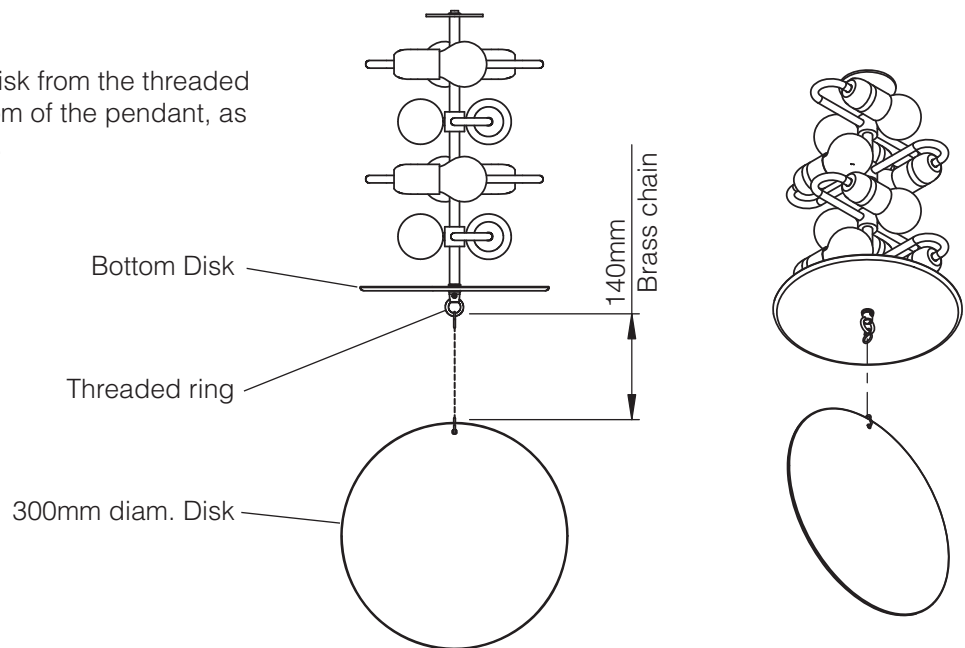
- Please see details 1-4 (next page) for opening and closing the hooks to secure the glass disks.
- Ensure that the coarse face of the glass is facing outwards and that they are all spaced evenly.





Using a pair of pliers, carefully open the glass mounting hooks (**1**) wide enough to fit the pin, attached on the frame (**2**). Fit the hooks to the pin and carefully close the hooks with the pliers (**3**) taking care not to damage the glass or the fitting.

- 8.** Hang the remaining disk from the threaded brass ring at the bottom of the pendant, as shown in the diagram.



Height Adjustment (for adjustable pendants only)

Stages to cutting down a drop rod:

1. Separate the 25mm Shroud from the 13mm All-thread.
2. Unscrew bolts and remove fittings from all-thread.
3. Remove any cable inside the all-thread.
4. Measure the distance that the drop rod needs to be.
5. Cut the **SHROUD** to this length using a hacksaw or similar tool.

IMPORTANT!

You must allow 25mm extra all-thread at each end of the shroud so that it can be bolted into place with the nuts provided.

6. Cut the All-thread to the correct length (50mm longer than the shroud) using a hacksaw or similar tool.
7. Once the shroud and all-thread are at the correct lengths, assemble them back together by using all components provided and mount the all-thread to the ceiling cover box using 2no. M13 Nuts. Ensure that the nuts are tightened and fully secure.
8. Slide the Shroud over the all-thread and attach the top plate of cross-member with 2no. M13 nut as shown.
9. Once satisfied with the fit secure bolts and all-thread with Loc-tite or similar adhesive.

