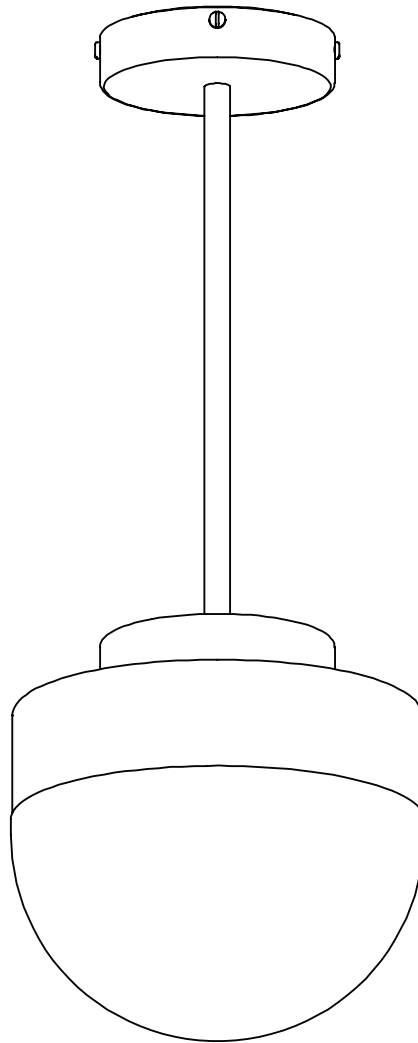


LUCID 200 PENDANT

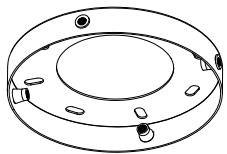


! Please handle with care and wear gloves at all times during assembly and installation to avoid damaging or marking components.

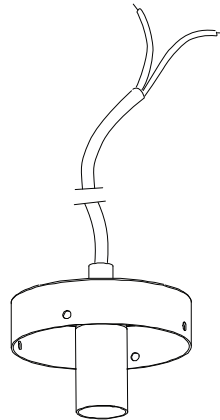
TECHNICAL

bulb holder	1 x E14 - 8w max : LED only
weight	5 Kg
cleaning	dust using a dry lint-free cloth as required
replacement/ repairs	please contact CTO Lighting
warranty	CTO Lighting warranty, 1 year from date of delivery
certification	CE compliant

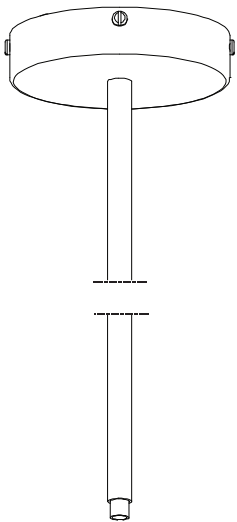
COMPONENTS



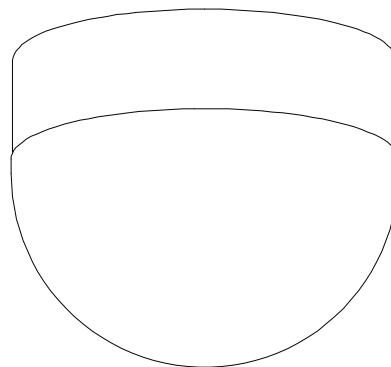
1 x Ceiling plate



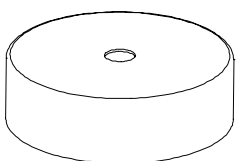
1 x Lamp-holder



1 x Ceiling box
with drop-rod and all-thread



1 x Alabaster shade



1 x Cover



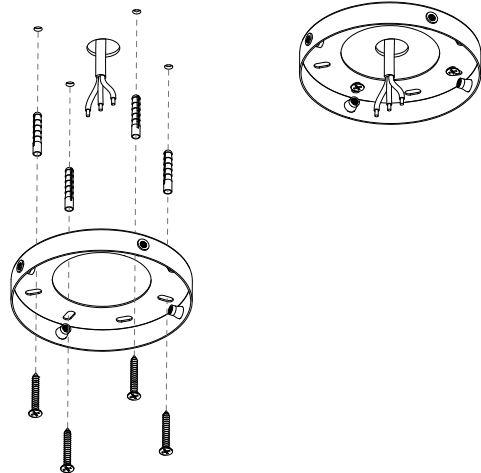
8 x M4x12 screws

BEFORE INSTALLATION

- Installation **must** be carried out by a qualified electrician.
- A minimum of **two people** is required to install this pendant.
- Check that the ceiling fixing and components are suitable and strong enough to support the weight of the pendant.

1.

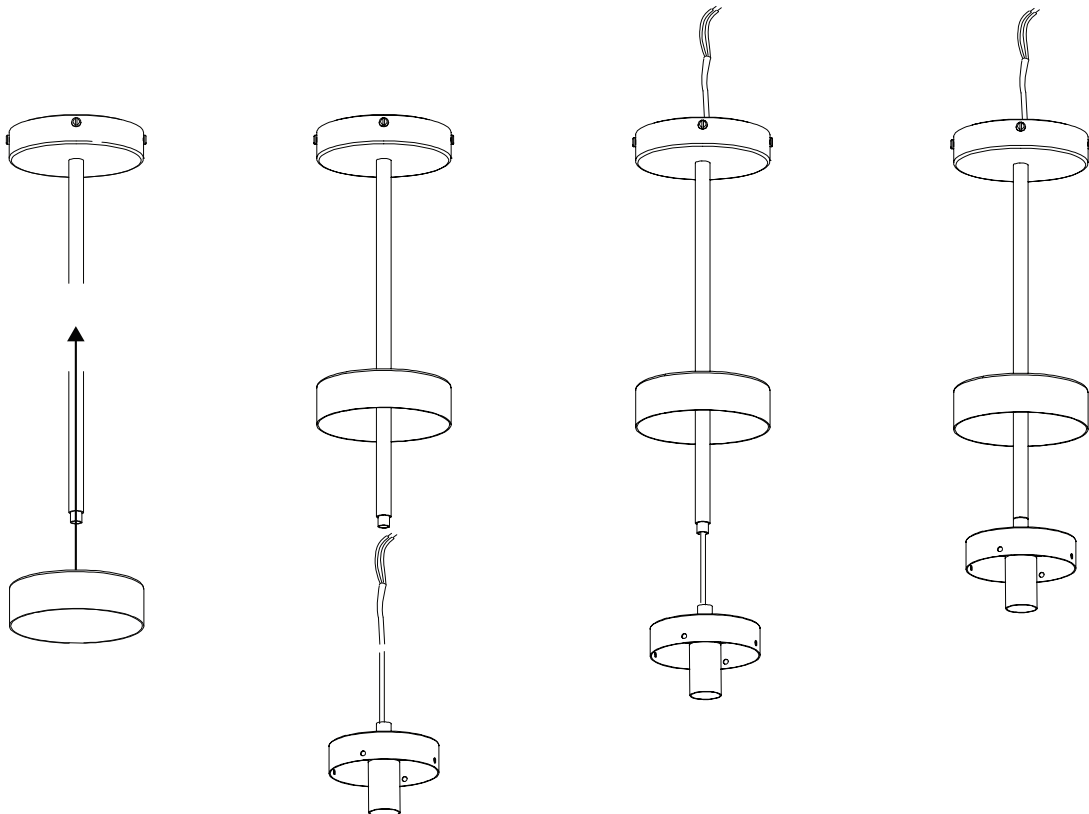
Fix the ceiling plate to the ceiling.
Ensure that suitable screws are being used
for the surface you are mounting to.



2.

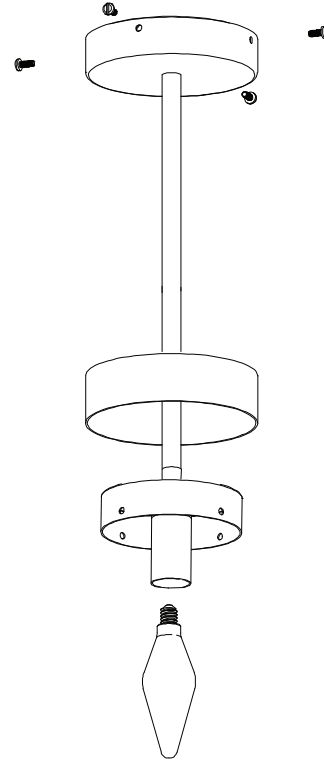
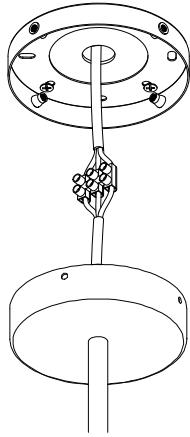
-Place the cover spinning to the drop-rod. Do not remove the protective material from the cover and drop-rod.

-Feed the power cable from lamp-holder through the drop-rod and into to the ceiling box.
Rotate the all-thread into the coupler until it is fully tightened and secured to the lamp-holder.



- 3.** Raise the pendant towards the ceiling and make the electrical connection. Further raise the pendant, closing the ceiling box to the ceiling plate and secure with the provided screws.

NOTE: Ensure that the weight of the pendant is fully supported during the electrical installation.

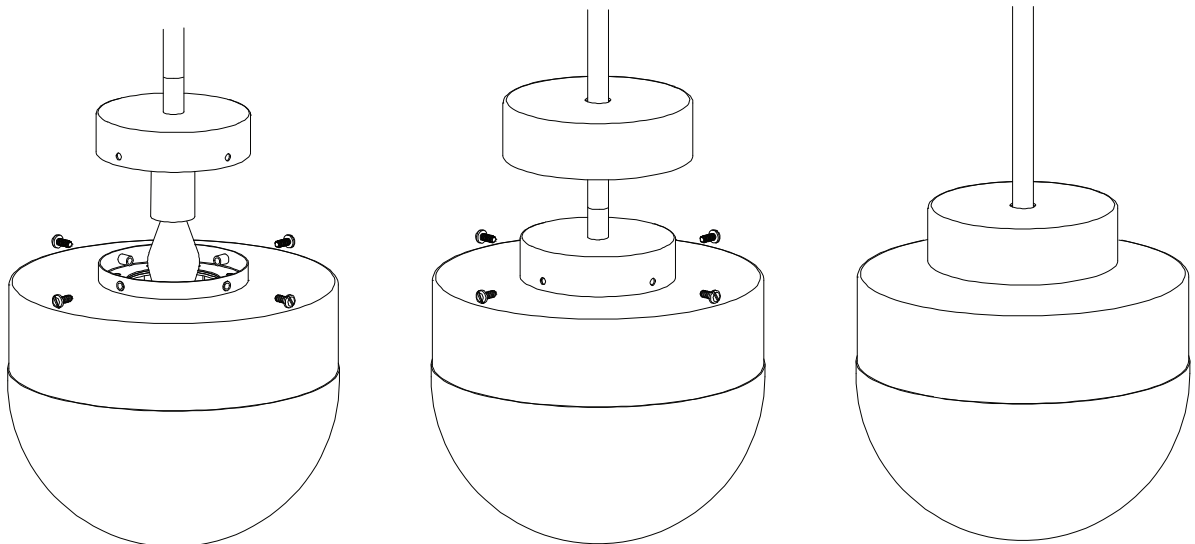


-
- 4.** Fit the bulb (not supplied) to the lampholder.

- 5.** Raise the shade to the lamp-holder and fit the bulb through the hole on the top of the shades. Further raise the shade and secure it to the internal plate with the provided screws.

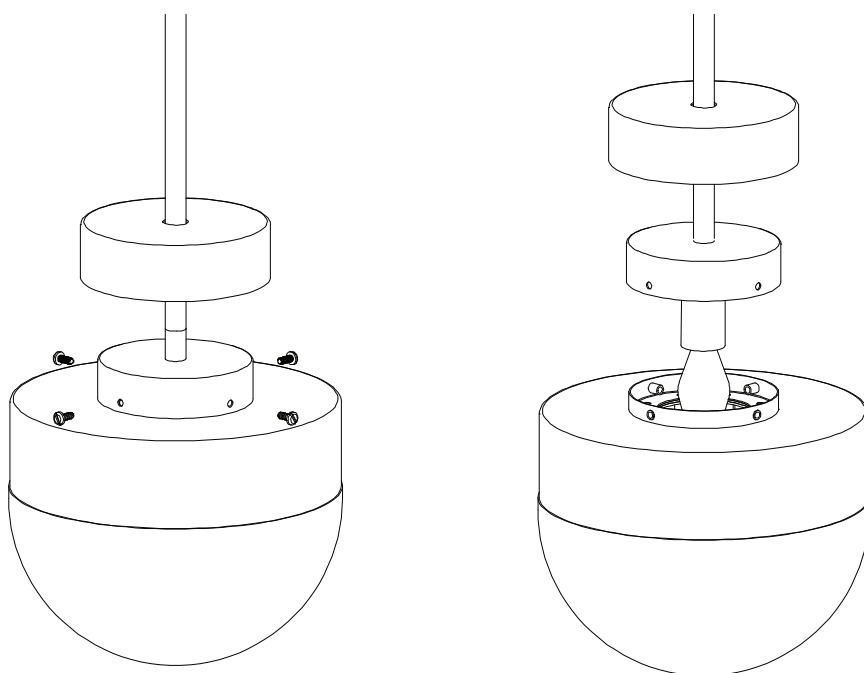
Lower the cover to sit on top of the shade.

Remove all protective material from the cover, shade and drop rod.



Replace bulb

1. Raise the cover.
2. Remove the 4 screws.
3. Gently lower the alabaster shade.



CTO Lighting
9 Cloudesley Road
London
N1 0FH

tel: +44 (0)20 7686 8700
fax: +44 (0)20 7686 8701

info@ctolighting.co.uk
www.ctolighting.co.uk