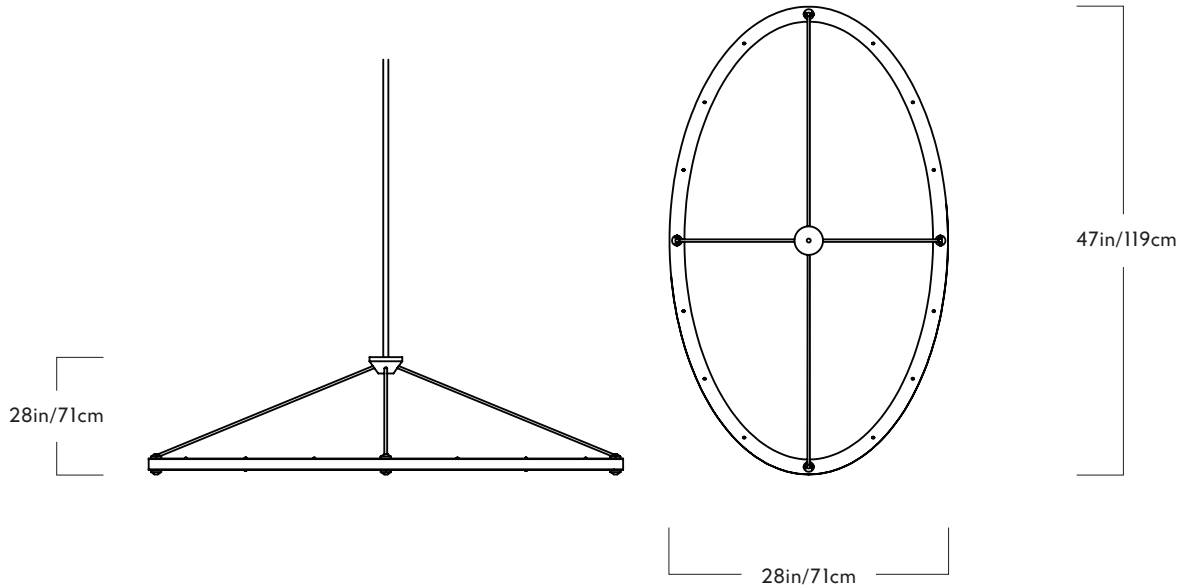


Roll & Hill



Halo

Pendant - Oval

SERIES

Halo

PRODUCT

Pendant - Oval

LEAD TIME

12 weeks

DIMENSIONS

L 47in/119cm x W 28in/71cm x
H 40in/102cm

WEIGHT

14lb/6.4kg

MATERIALS

Steel, acrylic

FINISHES / COLORS

Satin brass, blackened steel

SUSPENSION

½-inch aluminum stem. Ships with 35-inch
length. Additional segments available

CANOPY

9-inch custom canopy in matching metal
finish

DIMMER COMPATIBILITY

Triac

120V ILLUMINATION

LED

Wattage: 48.5 Watts

Lumens: 3450 Lumens

Color Temperature: 2800 Kelvin

Bulb Life: 50,000 Hours

240V ILLUMINATION

LED

Wattage: 48.5 Watts

Lumens: 3450 Lumens

Color Temperature: 2800 Kelvin

Bulb Life: 50,000 Hours

CERTIFICATIONS

n/a

Designed by Paul Loebach, 2011

32 33rd Street, 3rd Floor, Unit 10, Brooklyn NY 11232
Office +1 (718) 387 6132 Fax +1 (718) 387 6104
www.rollandhill.com