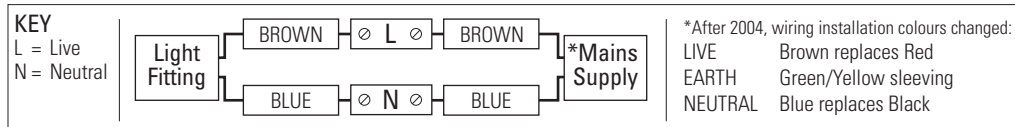


These instructions are provided for your safety in order to prevent the risk of Fire, Electric shock or Injury. It is vitally important that they are read in their entirety before installing your fitting. Please retain for future reference.

1. If you are in any doubt consult a qualified electrician as to the installation of the fitting. Install in accordance with current IEE wiring regulations. It is recommended that this fitting is installed by a qualified electrician.
2. Ensure that the electrical supply is OFF. Disconnect the electrical supply at the fuse-board.
3. If removing an existing fitting first, note all wiring connections: record which of the house wires is connected to the live, neutral and earth terminals.
4. Carefully identify where the supply cable is (and check there are no other cables in the area) to avoid damage to concealed wiring during installation.
5. Position the light where desired ensuring that there is suitable support adjacent to where you will connect to the house supply and mark position of fixing holes, before drilling appropriate holes as below.
6.
  - a. Brick or masonry: Drill holes into which the wall plugs tightly fit, then insert wall plugs.
  - b. Wood: No hole necessary (unless small pilot hole required), screws can be screwed directly into the timber.
  - c. Plaster/Cavity: Special cavity wall fittings are required, rather than provided fixings. These are widely available from good hardware or DIY store and should come with their own instructions that must be followed. It may be easier to relocate the fitting so that you screw directly into a timber joist or beam.
7. Once desired drop determined, adjust the flex length accordingly. Consult an electrician if in any doubt.
  - Use wire cutters to cut flex at desired length and then remove 15mm of the cotton braid and outer insulation (making sure no damage occurs to the interior cables). Apply electrical tape around the end of the cotton braid to prevent fraying.
  - Remove 5mm of insulation from the conductors, ready to be wired into a connector block.
8. Support the fitting so that no strain is applied to the wiring when making the electrical connections. If necessary get a colleague to help.
9. Electrical connection: this light fitting is double insulated, DO NOT connect to an Earth wire or terminal. Make connections using the connector block, following the diagram below. A small flat-head screwdriver is required.



10. Double check all the connections are secure and that no loose strands of wire are left out of the connector. Close the lid of the connector securely.
11. Check that no wires are trapped behind or within the fitting and complete the installation, see hanging instructions inside.
12. Fit the correct type and wattage of lamp (or less). Be careful not to overtighten the lamp.
13. Switch on at the fuse-board. Your light fitting is now ready for use.

## Other Important Information

Switch off at mains before changing lamp(s). Never fit a lamp of greater wattage than recommended. Ensure children do not play with the light fitting. Dispose of old lamps carefully. Never leave a fitting without a lamp in position (or someone can accidentally touch the contacts). Adjust fitting only when power to the fitting is off and has been left to cool. If the external flexible cable or cord of this luminaire is damaged, it shall exclusively be replaced by the manufacturer or his service agent, or a similar qualified person in order to avoid a hazard. For use in a dry, indoor environment only. Ensure the fitting does not come into contact with any liquids.

## Cleaning and Maintenance

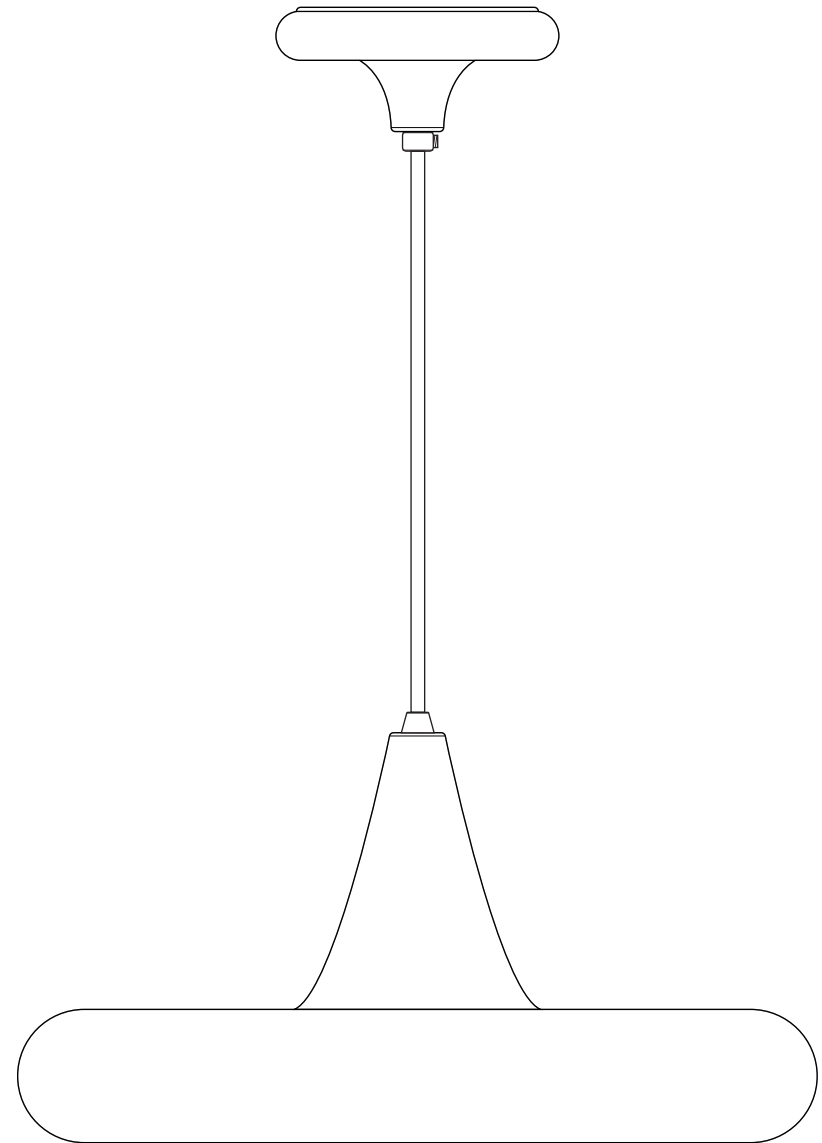
Bone china can be cleaned by hand, using a soft damp cloth with a diluted mild detergent (nonabrasive) if necessary. Switch off power to the fitting before cleaning. Spare parts are available for this product, please contact us using the details below.

Established in 1990, Original BTC manufactures relaxed, familiar lighting for traditional and contemporary homes. All products are hand-assembled in Oxford from high quality components, produced in the UK.

ORIGINALBTC.COM  
 +44 (0)1993 882 251  
 UNIT 21 / 22 AVENUE ONE, STATION LANE, WITNEY, OX28 4XZ, ENGLAND







**ORIGINAL BTC**  
 BRITISH LIGHTING MANUFACTURERS  
 LONDON - NEW YORK - PARIS



# Drop Pendant Light

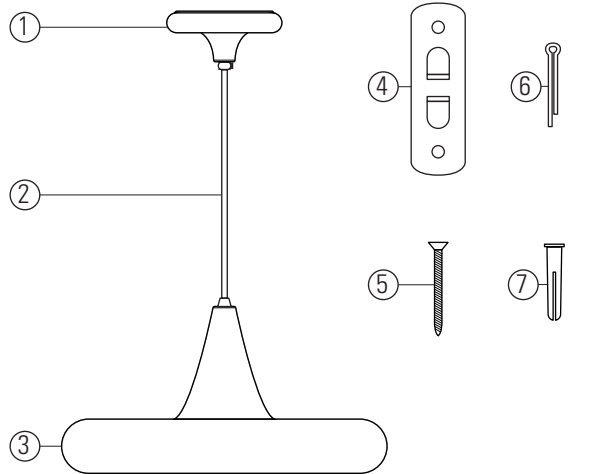
| 230V ac 50Hz | IP20

FP333NM Drop Three Pendant, Natural Matt

LAMP GUIDANCE Drop Three Pendant			
BASE	SHAPE	TYPE*	WATTAGE**
		INCANDESCENT ✓	60W MAX
		CFL ✓	11W
		ECO-HALOGEN ✗	n/a
		LED ✓	7W

\* Warm white (2700k) low energy lamps recommended.  
 \*\* Wattage value provided as a guide to suitable lamps. Lower wattage than stated may be used.

## Contents



### Contents

- 1 Ceiling Rose
- 2 Luminaire Flex
- 3 Shade
- 4 Hanging Bracket
- 5 Fixing Screws (x2)
- 6 Cotter Pin
- 7 Rawl Plugs (x2)

### Tools Required

- Cross head screwdriver\*
- Small flat-head screwdriver\*
- Drill (if holes are required)\*

\* Not Supplied

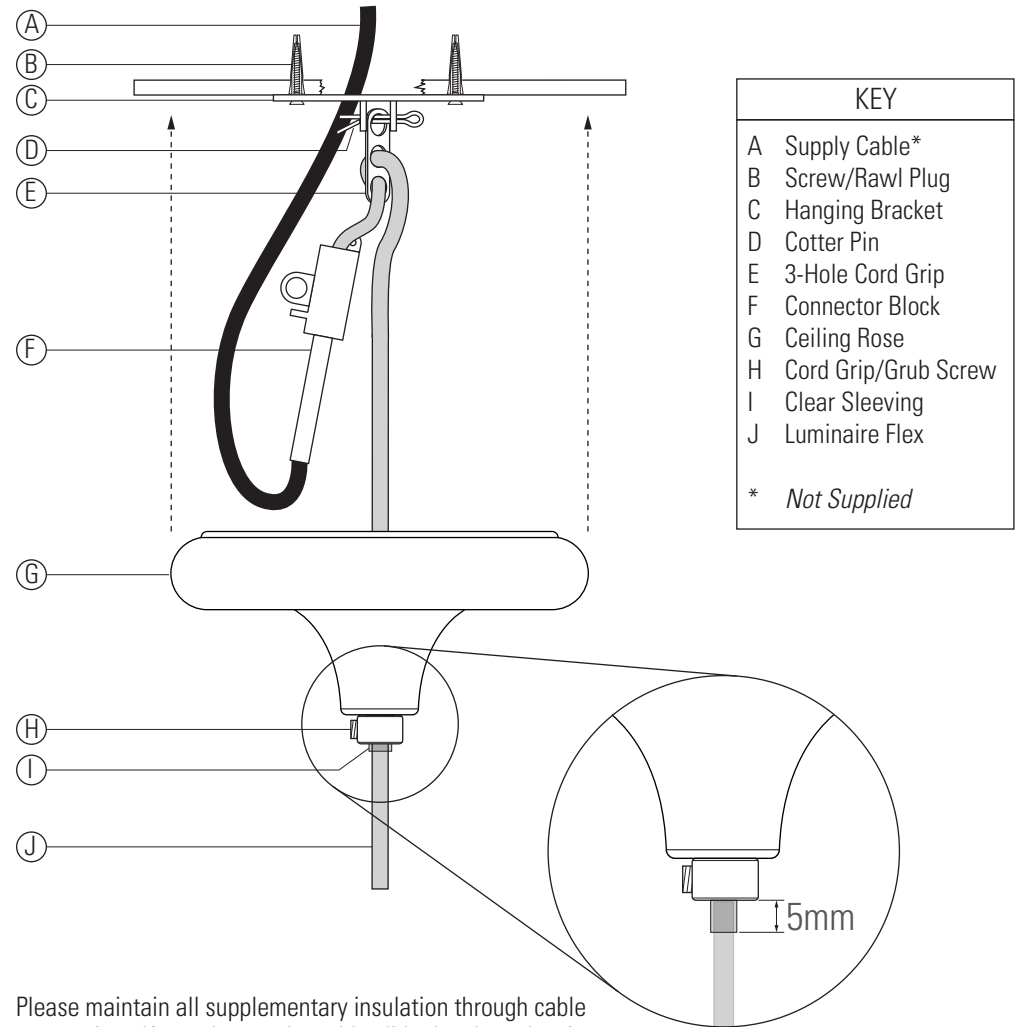
## Installation Instructions

This product is made from fine bone china; take care when handling the shade during installation and ensure hands are clean to avoid marking the surface. Refer to the diagram opposite & the instructions on the reverse.

- Follow points 5-6 on the reverse and secure the hanging bracket (C) to the ceiling using the fixings provided.
- Secure the 3-hole cord grip (E) to the hanging bracket using the cotter pin (D). Bend one arm of the cotter pin to hold it in position.
- Make the connection using the supplied connector box (F), following points 9-10 on the reverse.
- Slide the ceiling rose (G) up the cable until it sits flush against the ceiling. Secure it in position by tightening the grub screw on the cord grip (H). Take care to ensure the clear sleeving (I) is in place and do not overtighten the grub screw, as this can damage the cable.

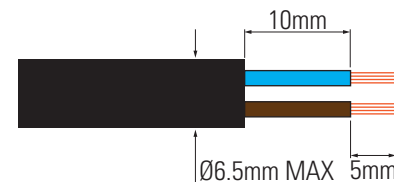
PLEASE READ THE INSTRUCTIONS ON THE REVERSE BEFORE YOU BEGIN INSTALLING YOUR LIGHT

## Installation Diagram



Please maintain all supplementary insulation through cable entry points. If you shorten the cable slide the clear sleeving along the flex and ensure it is in place between the brass cord grip and the cable when the grub screw is tightened.

## Cable Preparation



Please prepare the supply cable as shown. Note the maximum cable diameter for the supplied connector is 6.5mm. The maximum wire gauge is 1.5mm<sup>2</sup>.