

kreon down in-line

kreon down in-line directional is a fully recessed spotlight with a built-in snoot that serves two purposes. Firstly it absorbs stray flux, thus aiding beam control, and secondly it provides an integrated mounting ring for the fixation of additional optical lenses for increased optimisation. kreon down in-line directional has a rotational adjustment of 360° and an angular adjustment of 30° which, when combined with the choice of spot, flood and wide flood TIR reflector, provides a truly versatile accent lighting tool.

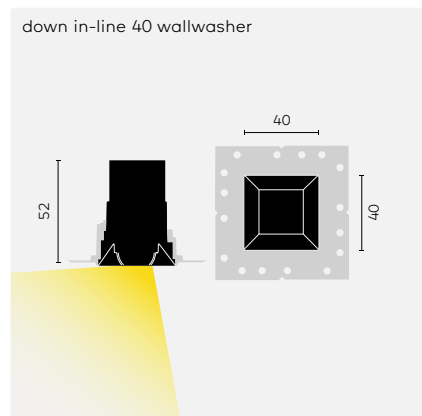
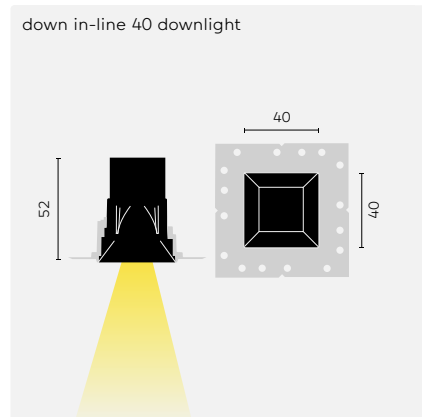
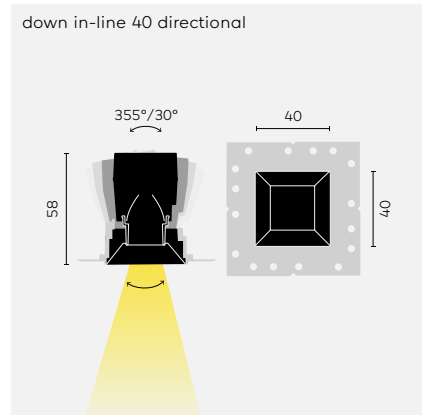


kreon down in-line fixed is the perfect solution for general lighting and features a flood beam mirror reflector set above the black or white internal louvre, optimised to create pools of light on horizontal surfaces or dramatic scalloping effects on verticals.

kreon down in-line wallwasher provides near perfect uniformity on vertical surfaces. This is made possible by the unique optical design that is capable of reflecting light to the very top of adjacent walls through a full 180° beam angle, whilst still maintaining an effective downlight component.



kreon down in-line 40



down in-line 40 directional
 Ⓞ LxW 63x63 H 80
 Glare snoot: incl.

down in-line 40 downlight
 Ⓞ LxW 63x63 H 80

down in-line 40 wallwasher
 Ⓞ LxW 63x63 H 80

Colour	KR-code	Light sources	8027 2700K, CR180+	8030 3000K, CR180+	9027 2700K, CR190+	9030 3000K, CR190+	SP Spot (10°)	FL Flood (24°)	WFL Wide flood (46°)	OV Oval (42° + 12°)	Required accessories	Optional accessories
	<u>KR907733</u>	①	●	●	●	●	●	●	●		■	■
	<u>KR907033</u>	②	●	●	●	●	●	●	●		■	■
	<u>KR907331</u>	③	●	●	●	●					■	■
	<u>KR907332</u>	③	●	●	●	●					■	■

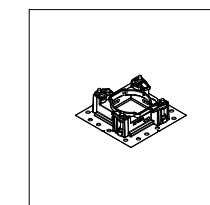
		CRI	CCT	Wattage	Drive current	Fixture lumen
①	LED	CRI80+	2700K/3000K	2W	700mA	153lm
				3,2W	1050mA	219lm
	CRI90+	2700K/3000K	2W	700mA	121lm	
			3,2W	1050mA	143lm	
②	LED	CRI80+	2700K/3000K	2W	700mA	172lm
				3,2W	1050mA	262lm
	CRI90+	2700K/3000K	2W	700mA	138lm	
			3,2W	1050mA	172lm	
③	LED	CRI80+	2700K/3000K	2W	700mA	77lm
				3,2W	1050mA	90lm
	CRI90+	2700K/3000K	2W	700mA	47lm	
			3,2W	1050mA	71lm	

REMARKS

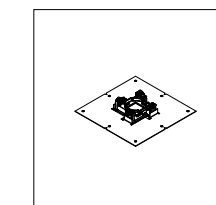
Find accessories on page 388-389.

Thickness boardmaterial:
 9-14mm
 Gear excluded.
 Ⓞ IP40

Plasterkit



Plasterkit concrete



■ Required accessories

Plasterkit	KR707114	Plasterkit, no shadowgap
Plasterkit concrete	KR707111	Plasterkit for concrete installation
Louvre	KR707116	Louvre, white
	KR707112	Louvre, black
	KR707115	Louvre, gun black
	KR707113	Louvre, red satin copper
Deep recessed installation (only for downlight) ❶	KR707714	Plasterkit, deep recessed, no shadowgap
	KR707711	Plasterkit for concrete installation, deep recessed, no shadowgap
	KR707716	Deep recessed louvre, white
	KR707712	Deep recessed louvre, black

■ Optional accessories

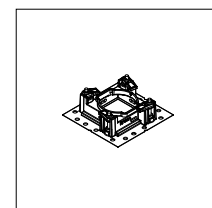
Driver	KR752730	LED driver, 700mA, ON/OFF, 3W
	KR752733	LED driver, 700mA, DALI, 10W ❸
	KR772142	LED driver, 1050mA, 1-10V, 39W ❸
	KR772443	LED driver, 1050mA, DALI, 15W ❸
Distance ring (for plasterkit concrete)	KR707317	Distance ring 2mm (set of 5 pcs.)
	KR707318	Distance ring 3mm (set of 5 pcs.)
	KR707319	Distance ring 5mm (set of 5 pcs.)

REMARKS

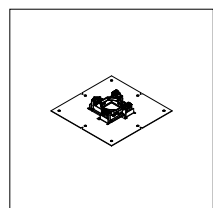
- ❶ It's recommended to use a spot or flood beam.
- ❷ Driver fits through the installation hole. Other types of dimmable drivers should be placed on remote. Should be placed on remote.

Thickness boardmaterial:
9-14mm
Gear excluded.
❖ IP40

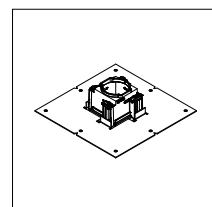
Plasterkit



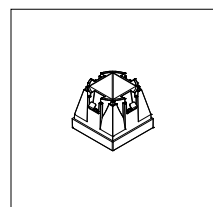
Plasterkit concrete



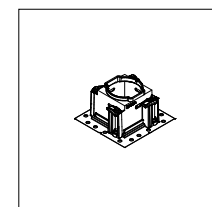
Plasterkit concrete deep recessed



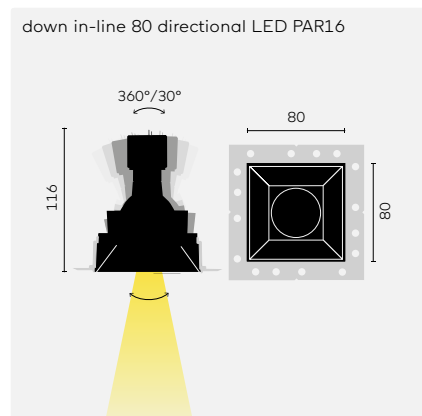
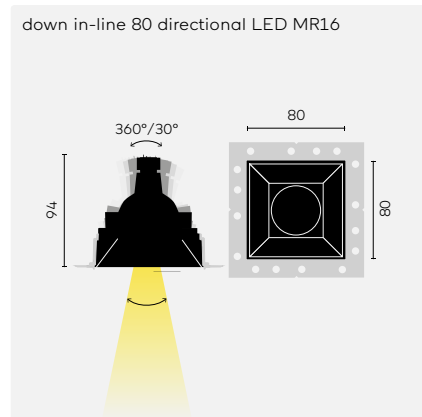
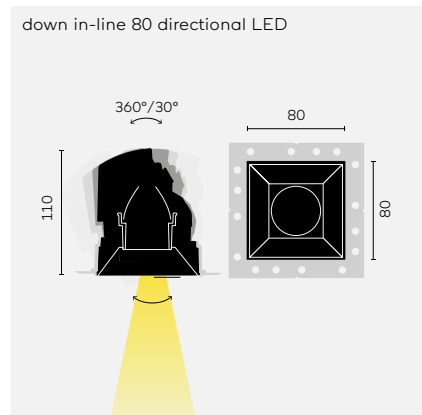
Deep recessed louvre



Plasterkit deep recessed



kreon down in-line 80



	KR-code	Light sources	SP	FL	WFL	Required accessories	Optional accessories
down in-line 80 directional LED Ⓢ LxW 102x102 H 120 Ⓢ Filter holder: incl., glare snoot: incl.	<u>KR917933</u>	8327 2700K, CRI83 8330 3000K, CRI83 8340 4000K, CRI83 9027 2700K, CRI90 9030 3000K, CRI90 9040 4000K, CRI90 9827 2700K, CRI98 9830 3000K, CRI98 9840 4000K, CRI98	●	●	●	■	■
down in-line 80 directional LED MR16 Ⓢ LxW 102x102 H 110 Ⓢ Filter holder: incl., lamp: excl., glare snoot: incl.	<u>KR917803</u>					■	■
down in-line 80 directional LED PAR16 Ⓢ LxW 102x202 H 125 Ⓢ Filter holder: incl., lamp: excl., glare snoot: incl.	<u>KR917843</u>					■	■

	CRI	CCT	Wattage	Voltage	Drive current	Fixture lumen
① LED	CRI83	2700K/3000K/4000K	15,6W	12V	700mA	690lm
	CRI90	2700K/3000K/4000K	15,6W	12V	700mA	690lm
	CRI98	2700K/3000K/4000K	15,2W	230V	700mA	494lm
② LED MR16			12V	15W		
③ LED PAR16			230V	15W		

REMARKS

Find accessories on page 394-395.

Thickness boardmaterial:
9-26mm
Gear excluded
IP40

■ Required accessories

Plasterkit	KR717114	Plasterkit, no shadowgap
	KR717118	Plasterkit, shadowgap
Plasterkit concrete	KR717111	Plasterkit for concrete installation, no shadowgap (430x430)
	KR717412	Plasterkit for concrete installation, no shadowgap, small (200x200)
	KR717119	Plasterkit for concrete installation, shadowgap (430x430)
	KR717417	Plasterkit for concrete installation, shadowgap, small (200x200)
Louvres	KR717116	Louvre, white
	KR717112	Louvre, black
	KR717115	Louvre, gun black
	KR717113	Louvre, red satin copper
Louvre IP44 (only for downlight) ⓘ	KR717316	Louvre IP 44, white
	KR717312	Louvre IP 44, black

■ Optional accessories

Lenses (only for directional)	KR704100	Sculpture lens
	KR704200	Diffusing lens
	KR704800	Softening lens
	KR772342	Anti-glare louvre
Driver	KR772024	LED driver, 500mA, ON/OFF, 20W
	KR772220	LED driver, 500mA, 1-10V, 20W
	KR772126	LED driver, 500mA, DALI, 18W
	KR772432	LED driver, 500mA, phase dim, 15W
	KR772034	LED driver, 700mA, ON/OFF, 20W
	KR772232	LED driver, 700mA, 1-10V, 20W
	KR772236	LED driver, 700mA, DALI, 18W
	KR772430	LED driver, 700mA, phase dim, 25W
	KR772431	LED driver, 700mA, phase dim, 14W
Distance ring (for plasterkit concrete)	KR717317	Distance ring 2mm (set of 5 pcs.)
	KR717318	Distance ring 3mm (set of 5 pcs.)
	KR717319	Distance ring 5mm (set of 5 pcs.)

REMARKS

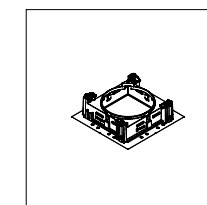
ⓘ IP 44 connection in plenum required.

Only one optional lens or louvre possible.

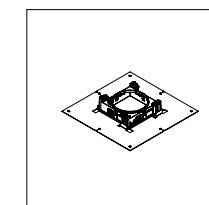
Use only in combination with spot optic.

Thickness boardmaterial:
9-26mm

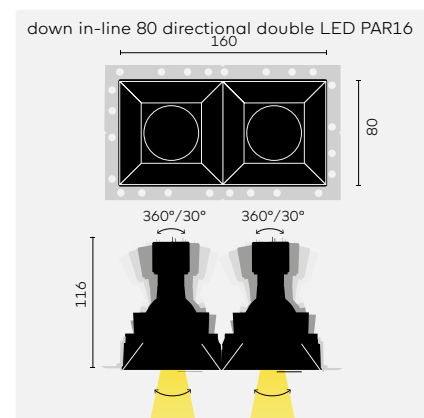
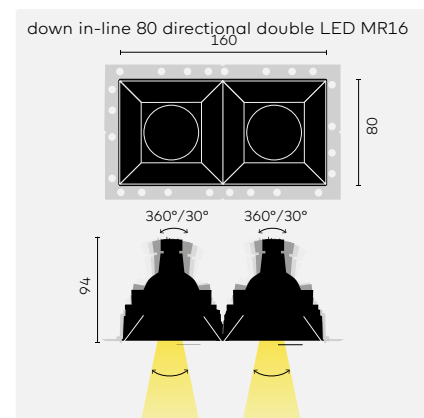
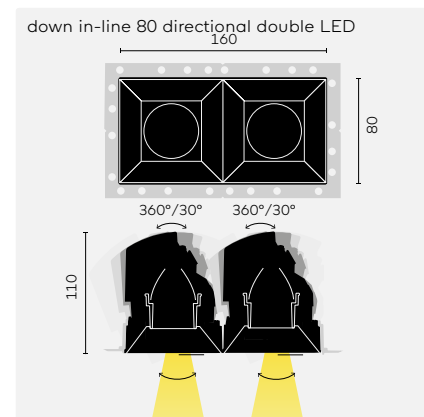
Plasterkit



Plasterkit concrete



kreon down in-line 80



	KR-code	Light sources	SP	FL	WFL	Required accessories	Optional accessories
down in-line 80 directional double LED ⊙ LxW 176x102 H 120 ⊕ Filter holder: incl., glare snoot: incl.	<u>KR917933</u> x 2 ①	8327 2700K, CRI83 8330 3000K, CRI83 8340 4000K, CRI83 9027 2700K, CRI90 9030 3000K, CRI90 9040 4000K, CRI90 9827 2700K, CRI98 9830 3000K, CRI98 9840 4000K, CRI98	●	●	●	■	■
down in-line 80 directional double LED MR16 ⊙ LxW 176x102 H 110 ⊕ Filter holder: incl., lamp: excl.	<u>KR917803</u> x 2 ②					■	■
down in-line 80 directional double LED PAR16 ⊙ LxW 176x102 H 125 ⊕ Filter holder: incl., lamp: excl.	<u>KR917843</u> x 2 ③					■	■
■ Required accessories							
Double plasterkit	<u>KR727114</u>	Double plasterkit, no shadowgap					
Louvre	<u>KR717116</u> x 2	Louvre, white					
	<u>KR717112</u> x 2	Louvre, black					
	<u>KR717115</u> x 2	Louvre, gun black					
	<u>KR717113</u> x 2	Louvre, red satin copper					
■ Optional accessories							
Lenses ①	<u>KR704100</u> x 2	Sculpture lens					
	<u>KR704200</u> x 2	Diffusing lens					
	<u>KR704800</u> x 2	Softening lens					
	<u>KR772342</u> x 2	Anti-glare louvre					
Driver	<u>KR772034</u> x 2	LED driver, 700mA, ON/OFF, 20W					
	<u>KR772232</u> x 2	LED driver, 700mA, 1-10V, 20W					
	<u>KR772236</u> x 2	LED driver, 700mA, DALI, 18W					
	<u>KR772430</u> x 2	LED driver, 700mA, phase dim, 25W					
	<u>KR772431</u> x 2	LED driver, 700mA, phase dim, 14W					

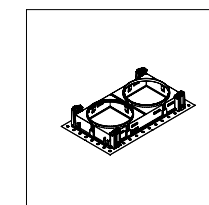
	CRI	CCT	Voltage	Wattage	Drive current	Fixture lumen
① LED	CRI83	2700K/3000K/4000K		2 x 15,6W	700mA	1380lm
	CRI90	2700K/3000K/4000K		2 x 15,6W	700mA	1380lm
	CRI98	2700K/3000K/4000K		2 x 15,2W	700mA	987lm
② LED MR16			12V	2 x 15W		
③ LED PAR16			230V	2 x 15W		

REMARKS

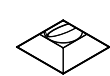
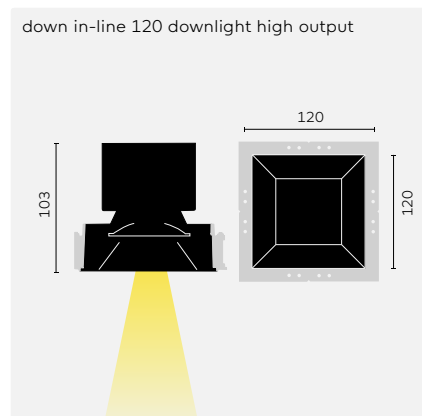
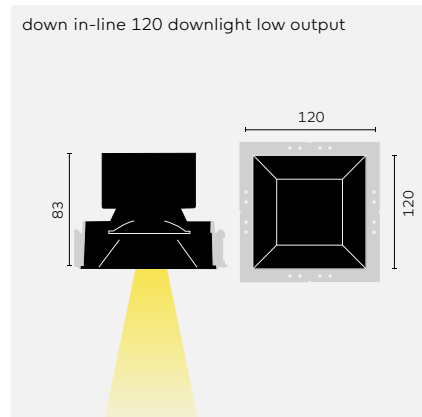
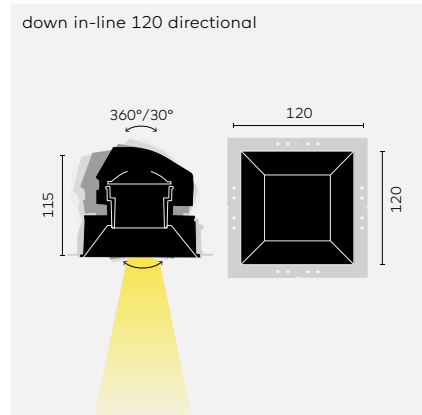
① Only one optional lens or louvre possible.
Use only in combination with spot optic.

Thickness boardmaterial:
9-26mm
Gear excluded
IP40

Double plasterkit



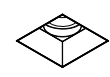
kreon down in-line 120



down in-line 120 directional
 Ⓞ LxW 144x144 H 140
 Filter holder: incl., glare snoot: incl.

KR907933

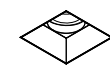
①



down in-line 120 downlight low output
 Ⓞ LxW 144x144 H 110
 Filter holder: incl.

KR907233

②



down in-line 120 downlight high output
 Ⓞ LxW 144x144 H 130
 Wallwash reflector: incl.

KR907243

③

KR-code	Light sources	SP	FL	WFL	Required accessories	Optional accessories
8327 2700K, CR183	●	●	●	●	■	■
8330 3000K, CR183	●	●	●	●	■	■
8340 4000K, CR183	●	●	●	●	■	■
9027 2700K, CR190	●	●	●	●	■	■
9030 3000K, CR190	●	●	●	●	■	■
9040 4000K, CR190	●	●	●	●	■	■
9827 2700K, CR198	●	●	●	●	■	■
9830 3000K, CR198	●	●	●	●	■	■
9840 4000K, CR198	●	●	●	●	■	■
SP Spot (12°)	●	●	●	●	■	■
FL Flood (28°)	●	●	●	●	■	■
WFL Wide flood (34°)	●	●	●	●	■	■

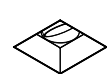
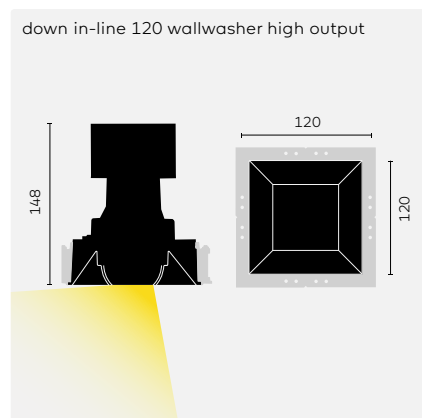
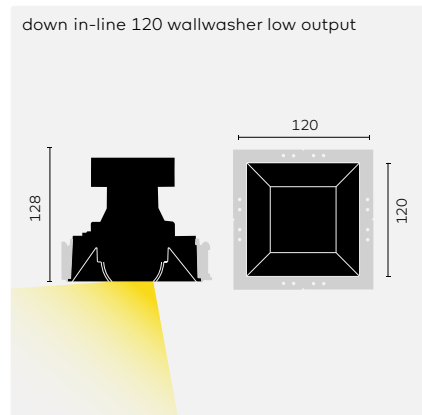
		CRI	CCT	Wattage	Drive current	Fixture lumen	
①	LED	SP	CR183	2700K/3000K/4000K	15,6W	700mA	1274lm
			CR190	2700K/3000K/4000K	15,6W	700mA	800lm
			CR198	2700K/3000K/4000K	15,2W	700mA	573lm
	FL & WFL	CR183	2700K/3000K/4000K	15,2W	700mA	1021lm	
		CR190	2700K/3000K/4000K	17,1W	700mA	987lm	
		CR198	2700K/3000K/4000K	12,9W	700mA	691lm	
②	LED	SP	CR183	2700K/3000K/4000K	15,6W	700mA	1114lm
			CR190	2700K/3000K/4000K	15,6W	700mA	1004lm
			CR198	2700K/3000K/4000K	15,2W	700mA	839lm
	FL & WFL	CR183	2700K/3000K/4000K	15,2W	700mA	1666lm	
		CR190	2700K/3000K/4000K	17,1W	700mA	1609lm	
		CR198	2700K/3000K/4000K	12,9W	700mA	1127lm	
③	LED	CR183	2700K/3000K/4000K	25,6W	1050mA	2610lm	
		CR190	2700K/3000K/4000K	25,7W	1050mA	2430lm	
		CR198	2700K/3000K/4000K	20W	1050mA	1605lm	

REMARKS

Find accessories on page 404-405.

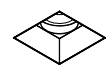
Thickness boardmaterial:
 9-26mm
 Gear excluded.
 Ⓞ IP40

kreon down in-line 120



down in-line 120 wallwasher low output

⊗ LxW 144x144 H 150
Wallwash reflector: incl.



down in-line 120 wallwasher high output

⊗ LxW 144x144 H 170
Wallwash reflector: incl.

Colour	KR-code	Light sources	8327 2700K, CRI83	8330 3000K, CRI83	8340 4000K, CRI83	9027 2700K, CRI90	9030 3000K, CRI90	9040 4000K, CRI90	9827 2700K, CRI98	9830 3000K, CRI98	9840 4000K, CRI98	Required accessories	Optional accessories
○	KR907531	①	●	●	●	●	●	●	●	●	●	■	■
●	KR907532	①	●	●	●	●	●	●	●	●	●	■	■
○	KR907541	②	●	●	●	●	●	●	●	●	●	■	■
●	KR907542	②	●	●	●	●	●	●	●	●	●	■	■

	CRI	CCT	Wattage	Drive current	Fixture lumen
① LED	CRI83	2700K/3000K/4000K	15,2W	700mA	937lm
	CRI90	2700K/3000K/4000K	17,1W	700mA	906lm
	CRI98	2700K/3000K/4000K	12,9W	700mA	633lm
② LED	CRI83	2700K/3000K/4000K	25,6W	1050mA	1385lm
	CRI90	2700K/3000K/4000K	25,7W	1050mA	1275lm
	CRI98	2700K/3000K/4000K	20W	1050mA	840lm

REMARKS

Find accessories on page 404-405.

Thickness boardmaterial:
9-26mm
Gear excluded.
⊗ IP40

■ Required accessories

Plasterkit	KR707214	Plasterkit, no shadowgap
	KR707218	Plasterkit, shadowgap
Plasterkit concrete	KR707219	Plasterkit for concrete installation, no shadowgap
	KR707211	Plasterkit for concrete installation, shadowgap
Louvre	KR707216	Louvre, white
	KR707212	Louvre, black
Louvre IP44 (only for downlight) ❶	KR707416	Louvre IP 44, white
	KR707412	Louvre IP 44, black

■ Optional accessories

Lenses (only for directional) ❷	KR750100	Sculpture lens
	KR750200	Diffusing lens
	KR750800	Softening lens
Driver	KR772034	LED driver, 700mA, ON/OFF, 20W
	KR772232	LED driver, 700mA, 1-10V, 20W
	KR772236	LED driver, 700mA, DALI, 18W
	KR772430	LED driver, 700mA, phase dim, 25W
	KR772140	LED driver, 1050mA, ON/OFF, 36W
	KR772142	LED driver, 1050mA, 1-10V, 39W
	KR772143	LED driver, 1050mA, DALI, 35W
Distance ring (for plasterkit concrete)	KR707417	Distance ring 2mm (set of 5 pcs.)
	KR707418	Distance ring 3mm (set of 5 pcs.)
	KR707419	Distance ring 5mm (set of 5 pcs.)

REMARKS

❶ IP 44 connection in plenum required.

❷ Only one optional lens or louvre possible.

Use only in combination with spot optic.

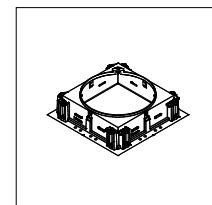
Thickness boardmaterial:

9-26mm

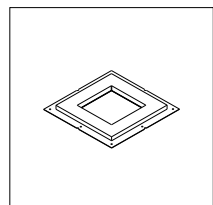
Gear excluded.

⊕ IP40

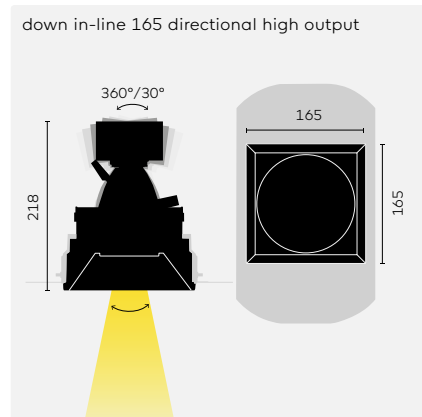
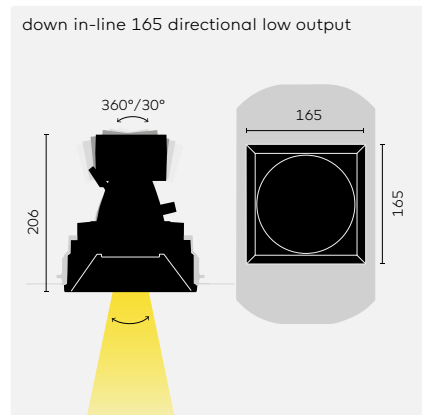
Plasterkit



Plasterkit concrete



kreon down in-line 165



down in-line 165 directional low output
 ⌀ LxW 186x186 H 230
 Filter holder: incl., glare snoot: incl.

down in-line 165 directional high output
 ⌀ LxW 186x186 H 250
 Filter holder: incl., glare snoot: incl.

■ **Required accessories**

Plasterkit

KR717214 Plasterkit, no shadowgap

KR717218 Plasterkit, shadowgap

Plasterkit concrete

KR717219 Plasterkit for concrete installation, no shadowgap

KR717211 Plasterkit for concrete installation, shadowgap

Louvre

KR717216 Louvre, white

KR717212 Louvre, black

Reflector

KR720032 Reflector LED, spot 13°

KR720034 Reflector LED, flood 23°

KR720036 Reflector LED, wide flood 40°

■ **Optional accessories**

Lenses ①

KR720100 Sculpture lens

KR720200 Diffusing lens

KR720800 Softening lens

Driver

KR772024 LED driver, 500mA, ON/OFF, 20W

KR772220 LED driver, 500mA, 1-10V, 20W

KR772126 LED driver, 500mA, DALI, 18W

KR772034 LED driver, 700mA, ON/OFF, 20W

KR772232 LED driver, 700mA, 1-10V, 20W

KR772236 LED driver, 700mA, DALI, 18W

KR772140 LED driver, 1050mA, ON/OFF, 36W

KR772142 LED driver, 1050mA, 1-10V, 39W

KR772143 LED driver, 1050mA, DALI, 35W

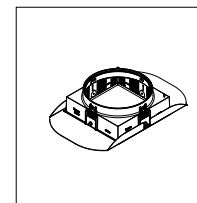
		CRI	CCT	Wattage	Drive current	Fixture lumen
①	LED	CRI83	2700K/3000K/4000K	15,2W	700mA	1250lm
		CRI90	2700K/3000K/4000K	16,5W	700mA	1250lm
		CRI98	2700K/3000K/4000K	13,9W	500mA	988lm
②	LED	CRI83	2700K/3000K/4000K	25,7W	1050mA	1874lm
		CRI90	2700K/3000K/4000K	25,7W	1050mA	1874lm
		CRI98	2700K/3000K/4000K	20W	1050mA	1249lm

REMARKS

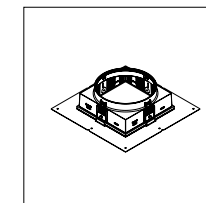
① Only one optional lens or louvre possible.
 Use only in combination with spot optic.

Thickness boardmaterial:
 9-26mm
 Gear excluded.
 ⌀ IP40

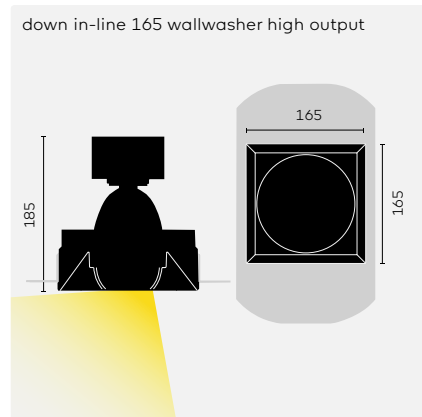
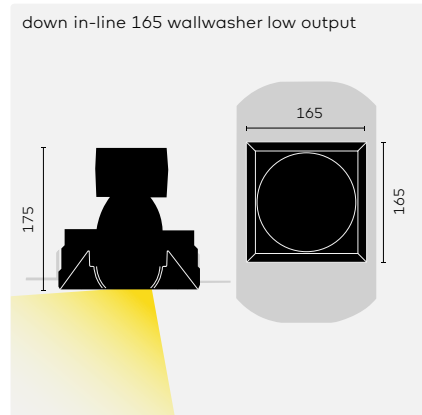
Plasterkit



Plasterkit concrete



kreon down in-line 165



down in-line 165 wallwasher low output
 Ⓞ LxW 186x186 H 200

down in-line 165 wallwasher high output
 Ⓞ LxW 186x186 H 210

■ **Required accessories**

Plasterkit

KR717214 Plasterkit, no shadowgap

KR717218 Plasterkit, shadowgap

Plasterkit concrete

KR717219 Plasterkit for concrete installation, no shadowgap

KR717211 Plasterkit for concrete installation, shadowgap

Louvre

KR717216 Louvre, white

KR717212 Louvre, black

■ **Optional accessories**

Driver

KR772024 LED driver, 500mA, ON/OFF, 20W

KR772220 LED driver, 500mA, 1-10V, 20W

KR772126 LED driver, 500mA, DALI, 18W

KR772034 LED driver, 700mA, ON/OFF, 20W

KR772232 LED driver, 700mA, 1-10V, 20W

KR772236 LED driver, 700mA, DALI, 18W

KR772140 LED driver, 1050mA, ON/OFF, 36W

KR772142 LED driver, 1050mA, 1-10V, 39W

KR772143 LED driver, 1050mA, DALI, 35W

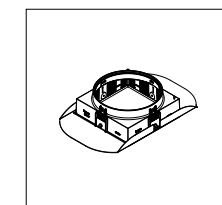
Colour	KR-code	Light sources	8327 2700K, CRI83	8330 3000K, CRI83	8340 4000K, CRI83	9027 2700K, CRI90	9030 3000K, CRI90	9040 4000K, CRI90	9827 2700K, CRI98	9830 3000K, CRI98	9840 4000K, CRI98	Required accessories	Optional accessories
○	KR917431	①	●	●	●	●	●	●	●	●	●	■	■
●	KR917432	①	●	●	●	●	●	●	●	●	●	■	■
○	KR917441	②	●	●	●	●	●	●	●	●	●	■	■
●	KR917442	②	●	●	●	●	●	●	●	●	●	■	■

	CRI	CCT	Wattage	Drive current	Fixture lumen
① LED	CRI83	2700K/3000K/4000K	15,2W	700mA	756lm
	CRI90	2700K/3000K/4000K	16,5W	700mA	756lm
	CRI98	2700K/3000K/4000K	13,9W	500mA	597lm
② LED	CRI83	2700K/3000K/4000K	25,7W	1050mA	1161lm
	CRI90	2700K/3000K/4000K	25,7W	1050mA	1161lm
	CRI98	2700K/3000K/4000K	20W	1050mA	774lm

REMARKS

Thickness boardmaterial:
 9-26mm
 Gear excluded.
 Ⓞ IP40

Plasterkit



Plasterkit concrete

