

# D900.PLUS SLICE Curve LED Downlight

## Datasheet

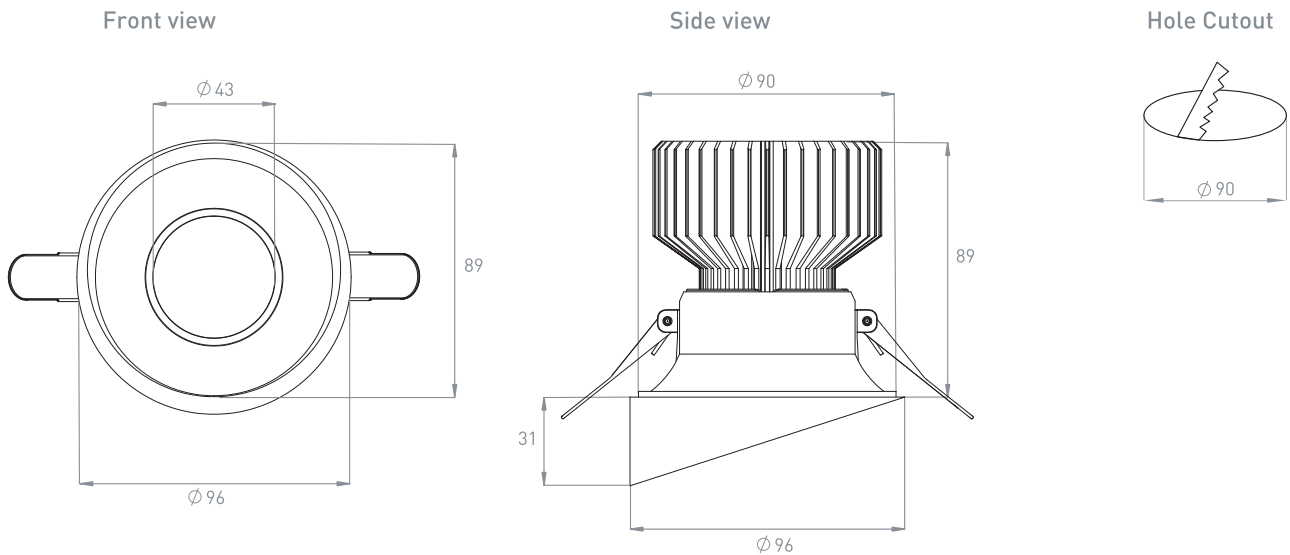


**TRU-COLOUR.**

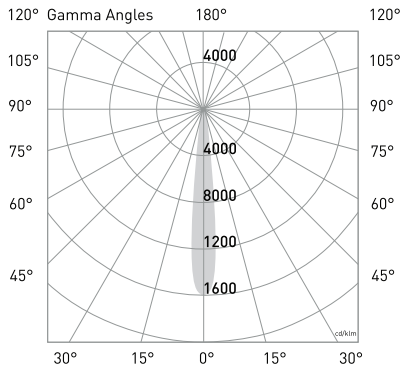
### Product Codes

<b>Unit:</b> D900.PLUS	<b>Series:</b> CR	<b>Colour temp. (K):</b> 2.8K (2800K) 3K (3000K) 4K (4000K) 6K (6000K) 1.8K.3K (1800K-3000K) (Nightshift) 2.8K.6K (2800K-6000K) (Dayshift)	<b>Beam Angle (°):</b> 11 (Very Narrow) 22 (Narrow) 36 (Medium-Narrow) 44 (Medium) 55 (Standard) 20.WWW (Wall wash wide) 25.BW (Batwing) E35.70 (Elyptical) ULG.55 (Ultra low glare)	<b>Inner Colour:</b> B (BLACK) W (WHITE) RALXXXX (Custom Colour)	<b>Control:</b> PH (Phase Dimming) DA (DALI) ZG (ZIGBEE 3.0) CS (CASAMBI) 010 (0-10V)
<b>Light Depth:</b> - (Standard: 21mm) D (Deep: 52mm)	<b>Style:</b> SLICE	<b>Style Colour:</b> B (BLACK) W (WHITE) RALXXXX (Custom Colour)	<b>Generation:</b> 4.0		

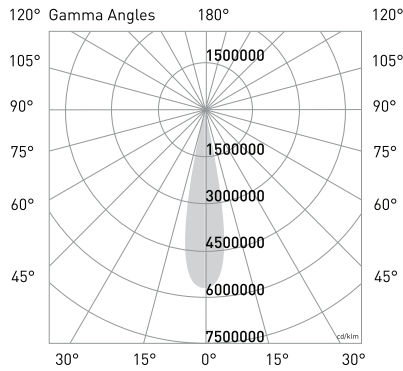
### Dimensions (mm)



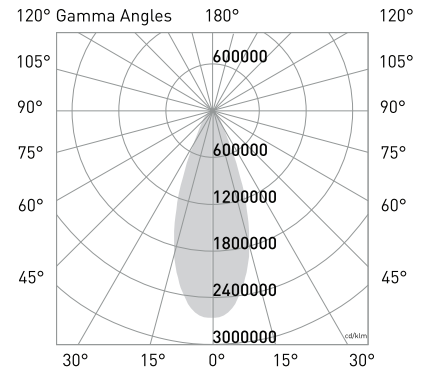
Photometric Diagrams



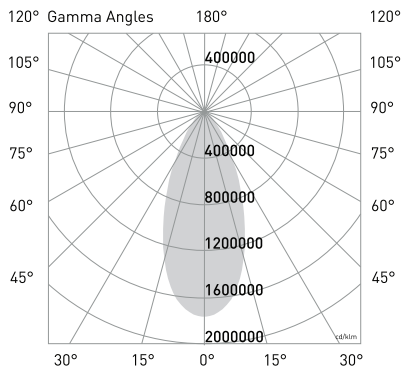
Beam Angle: 11° (Very Narrow)



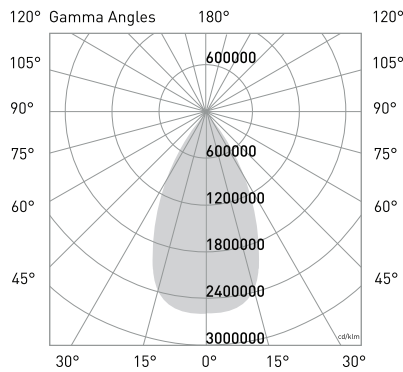
Beam Angle: 22° (Narrow)



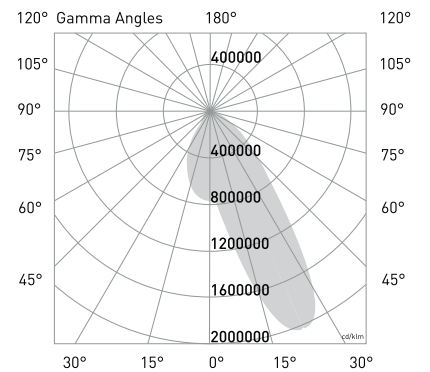
Beam Angle: 36° (Medium-Narrow)



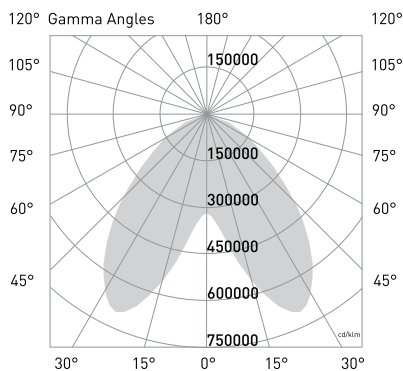
Beam Angle: 44° (Medium)



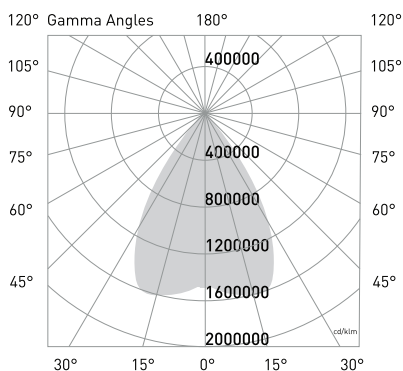
Beam Angle: 55° (Standard)



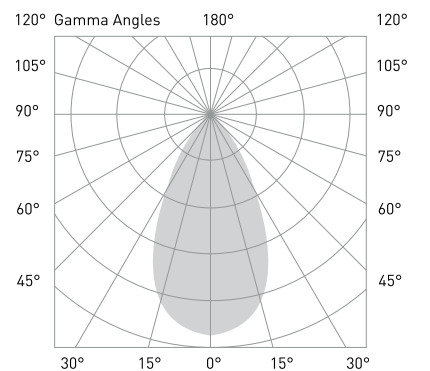
Beam Angle: 20.WWW (Wall wash wide)



Beam Angle: 25.BW (Batwing)



Beam Angle: E35.70 (Elliptical)



Beam Angle: ULG.55 (Ultra low glare)

## CCT Output

**CCT:** 2800K  
**Efficacy:** 58lm/W  
**Delivered lumen output:** 750lm  
**CRI:** 98  
**Standard deviation of colour Matching (SDCM):** 2 MacAdam steps

**CCT:** 3000K  
**Efficacy:** 82lm/W  
**Delivered lumen output:** 1070lm  
**CRI:** 98  
**Standard deviation of colour Matching (SDCM):** 2 MacAdam steps

**CCT:** 4000K  
**Efficacy:** 89lm/W  
**Delivered lumen output:** 1160lm  
**CRI:** 98  
**Standard deviation of colour Matching (SDCM):** 2 MacAdam steps

**CCT:** 6000K  
**Efficacy:** 73lm/W  
**Delivered lumen output:** 950lm  
**CRI:** 98  
**Standard deviation of colour Matching (SDCM):** 2 MacAdam steps

**CCT:** 1800K-3100K  
**Efficacy:** 69lm/W  
**Delivered lumen output:** 905lm  
**CRI:** 98  
**Standard deviation of colour Matching (SDCM):** 2 MacAdam steps

**CCT:** 2800K-6000K  
**Efficacy:** 82lm/W  
**Delivered lumen output:** 1070lm  
**CRI:** 98  
**Standard deviation of colour Matching (SDCM):** 2 MacAdam steps

## Electrical

<b>Input Voltage:</b> 220-265V	<b>Power Usage:</b> 13W	<b>Current:</b> 325mA	<b>Driver Power Factor:</b> >0.9	<b>Dimming:</b> Yes	<b>DC Cable Length:</b> 0.3m	<b>AC Cable Length:</b> 0.6m
-----------------------------------	----------------------------	--------------------------	-------------------------------------	------------------------	---------------------------------	---------------------------------

*Note: Dayshift (2.8K.6K) will only work with DALI DT8 or ZIGBEE driver*

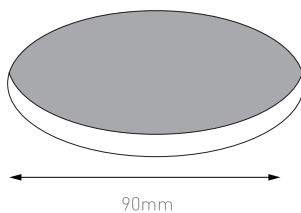
## Physical

<b>Gimbal Angle (°):</b> 19°/360°	<b>IP Rating:</b> IP44	<b>IK Rating:</b> IK04
--------------------------------------	---------------------------	---------------------------

## Operational

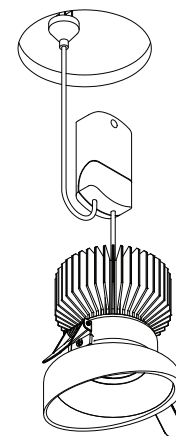
<b>Ambient temp.:</b> -28°C to 60°C	<b>IC Rating:</b> IC-4	<b>UGR:</b> <13 (55° Lens, X=4H, Y=8H)	<b>Lifetime:</b> >100,000 hrs	<b>Warranty:</b> 10 Years
--	---------------------------	---	----------------------------------	------------------------------

## Installation



### Step 1

Using a 90mm hole saw, cut a hole in the ceiling at the desired location.

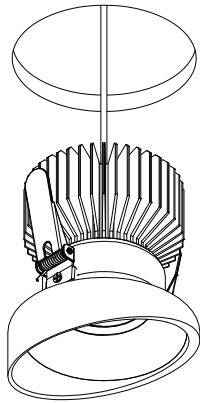


### Step 2

Plug the driver into a mounted general power outlet (GPO) in the ceiling.

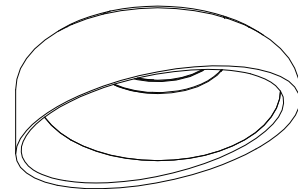
## Installation

---



### Step 3

Pull back the springs and insert the luminaire into the ceiling cavity.

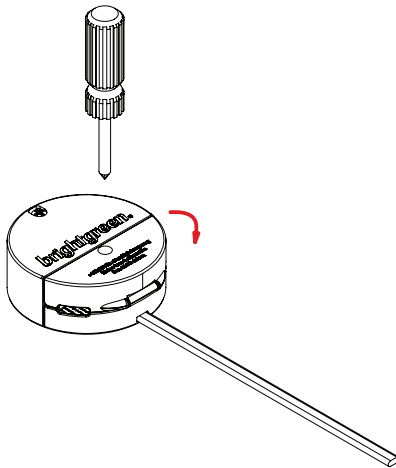


### Step 4

Once the light is installed, orient the luminaire using its gimbal to focus the light as required.

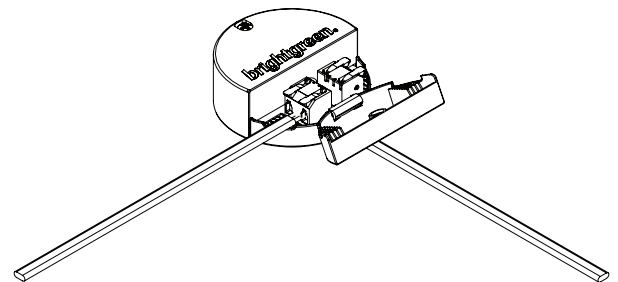
## Driver Hardwire - Installation

---



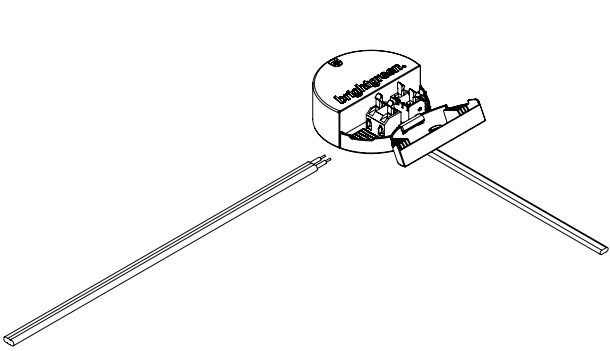
### Step 1

Using a phillips head screwdriver unscrew the screw and rotate the driver cap open.



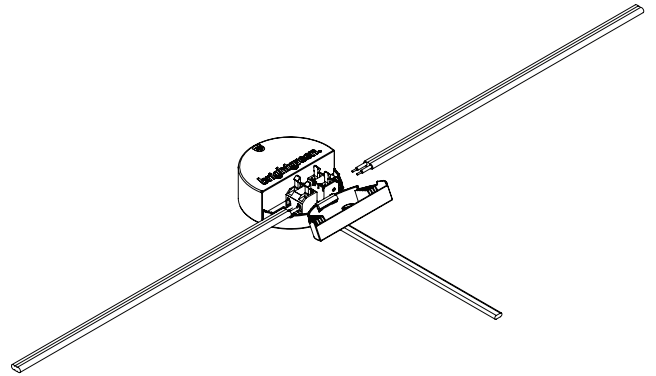
### Step 2

Lift up the 2 latches on the terminal block and remove the AU flex and plug.



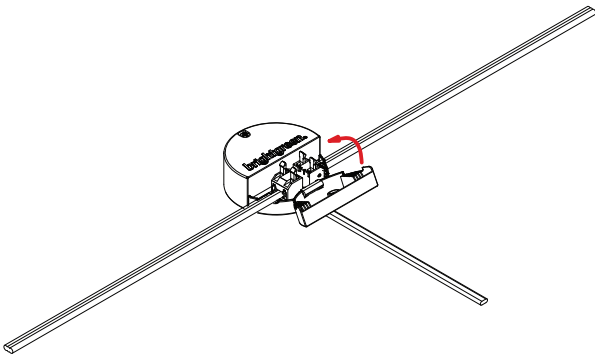
### Step 3

Insert the Active and neutral TPS cable into the terminal block and click the latches closed.



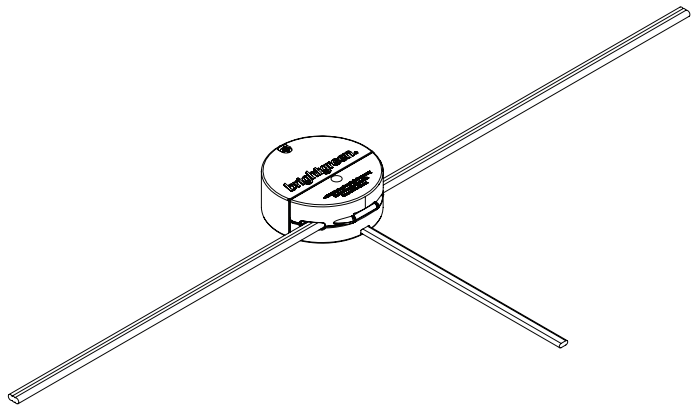
### Step 4

When continuing the circuit past this product, insert the active and neutral cable in the second terminal block. Ensure the same polarity as the previous cable.



### Step 5

Flip the lid closed and tighten the screw to ensure the cables are clamped and retained.



### Step 6

Installation complete.