

D700.SHX.CL Curve LED Downlight

Datasheet



TRU-COLOUR®

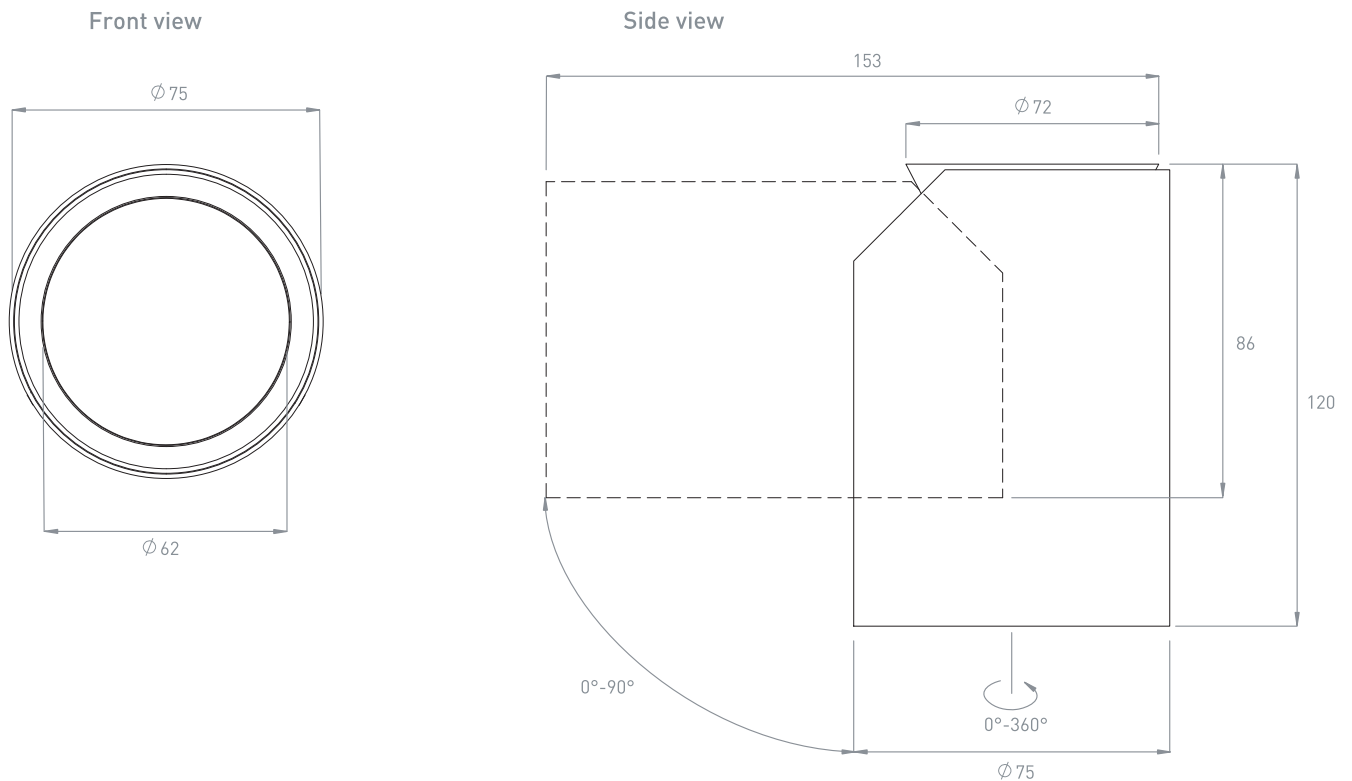
Product Codes

Unit: D700.SHX.CL	Series: CR	Colour temp. (K): 2.8K (2800K) 3K (3000K) 4K (4000K) 6K (6000K) 1.8K.3.1K (1800K-3100K) 2.8K.6K (2800K-6000K)	Beam Angle (°): 11 (Very Narrow) 22 (Narrow) 36 (Medium-Narrow) 44 (Medium) 55 (Standard) E35.70 (Elyptical) ULG.55 (Ultra low glare)	Colour: B (Black) W (White)
-----------------------------	----------------------	----------------------------------------------------------------------------------------------------------------------------------------	-------------------------------------------------------------------------------------------------------------------------------------------------------------------	------------------------------------------

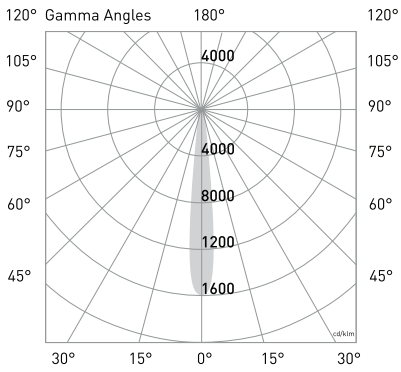
Control:
PH (Phase Dimming)
DA (DALI)
ZG (ZIGBEE 3.0)
CS (CASAMBI)
010 (0-10V)

Generation:
4.0

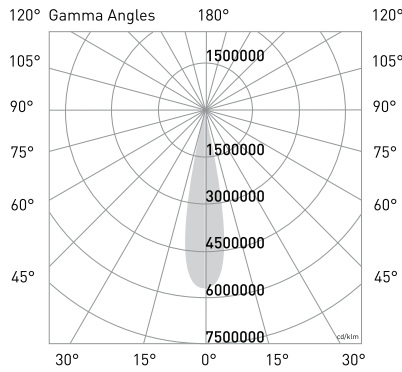
Dimensions (mm)



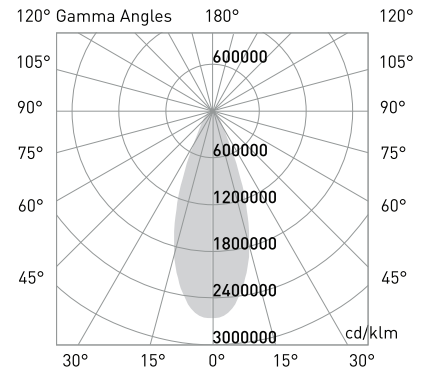
Photometric Diagrams



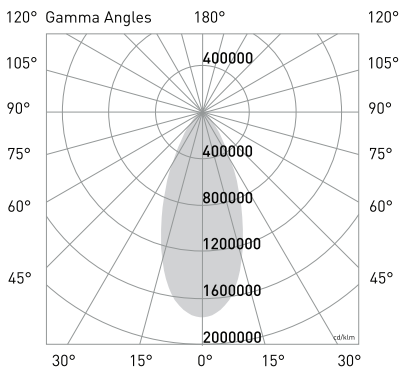
Beam Angle: 11° (Very Narrow)



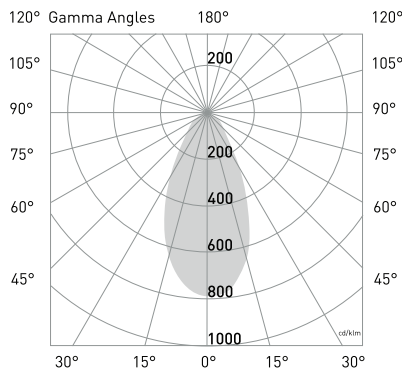
Beam Angle: 22° (Narrow)



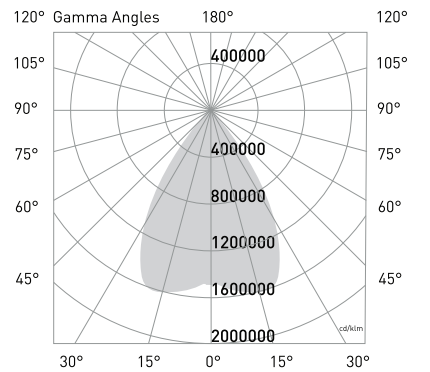
Beam Angle: 36° (Medium-Narrow)



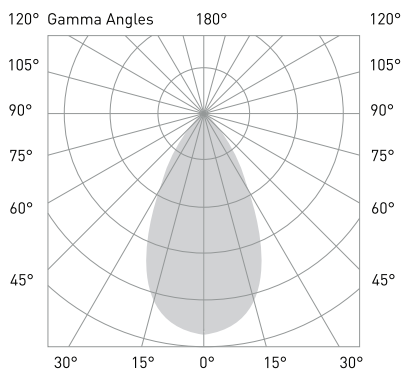
Beam Angle: 44° (Medium)



Beam Angle: 55 (Standard)



Beam Angle: E35.70 (Elliptical)



Beam Angle: ULG.55 (Ultra low glare)

CCT Output

CCT: 2800K
Efficacy: 75lm/W
Delivered lumen output: 745lm
CRI: 98
Standard deviation of colour Matching (SDCM): 2 MacAdam steps

CCT: 3000K
Efficacy: 76lm/W
Delivered lumen output: 760lm
CRI: 98
Standard deviation of colour Matching (SDCM): 2 MacAdam steps

CCT: 4000K
Efficacy: 78lm/W
Delivered lumen output: 775lm
CRI: 98
Standard deviation of colour Matching (SDCM): 2 MacAdam steps

CCT: 6000K
Efficacy: 84lm/W
Delivered lumen output: 845lm
CRI: 98
Standard deviation of colour Matching (SDCM): 2 MacAdam steps

CCT: 1800K-3100K
Efficacy: 76lm/W
Delivered lumen output: 760lm
CRI: 98
Standard deviation of colour Matching (SDCM): 2 MacAdam steps

CCT: 2800K-6000K
Efficacy: 76lm/W
Delivered lumen output: 760lm
CRI: 98
Standard deviation of colour Matching (SDCM): 2 MacAdam steps

Electrical

Input Voltage: 220-265V	Power Usage: 10W	Current: 230mA	Driver Power Factor: >0.9	Dimming: Yes	DC Cable Length: 0.3m	AC Cable Length: 0.6m
-----------------------------------	----------------------------	--------------------------	-------------------------------------	------------------------	---------------------------------	---------------------------------

Note: Dayshift (2.8K,6K) will only work with DALI DT8 or ZIGBEE driver

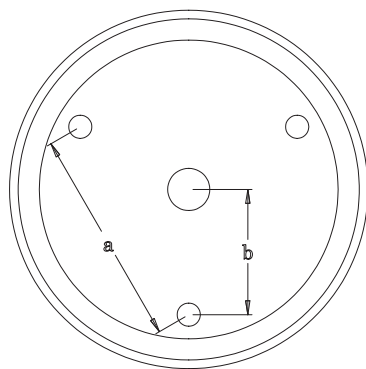
Physical

Gimbal Angle (°): 90°/ 360°	IP Rating: IP44	IK Rating: IK05
---------------------------------------	---------------------------	---------------------------

Operational

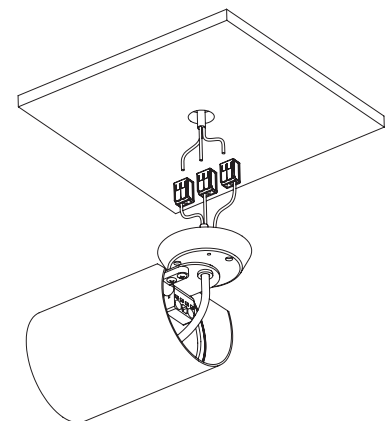
Ambient temp.: -28°C to 60°C	Lifetime: >100,000 hrs	Warranty: 7 Years
----------------------------------------	----------------------------------	-----------------------------

Installation



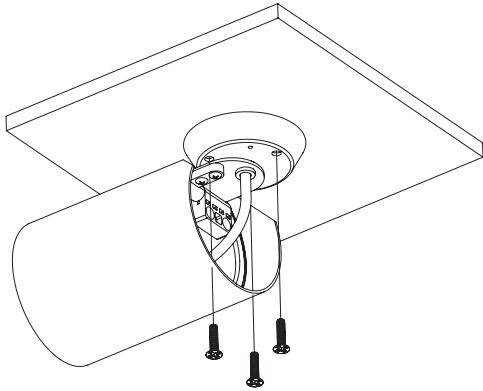
Step 1

Using the base plate as a guide, pilot hole the points where the 3 mounting screws will be drilled in.
a = 39.8mm b = 23mm



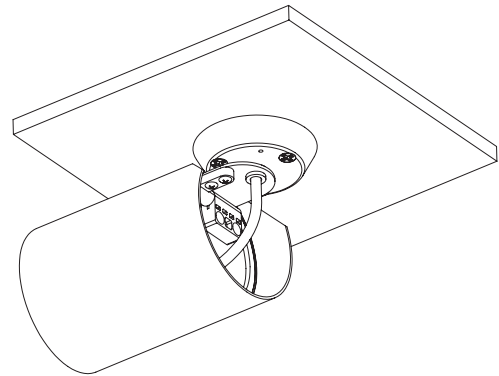
Step 2

Thread the power cable through the base plate. Connect the power cable.



Step 3

Align the base plate to the ceiling, and fasten the base plate to the ceiling using the 3 mounting screws.



Step 4

Installation complete.