

# D700.PLUS PUCK Curve LED Downlight

## Datasheet

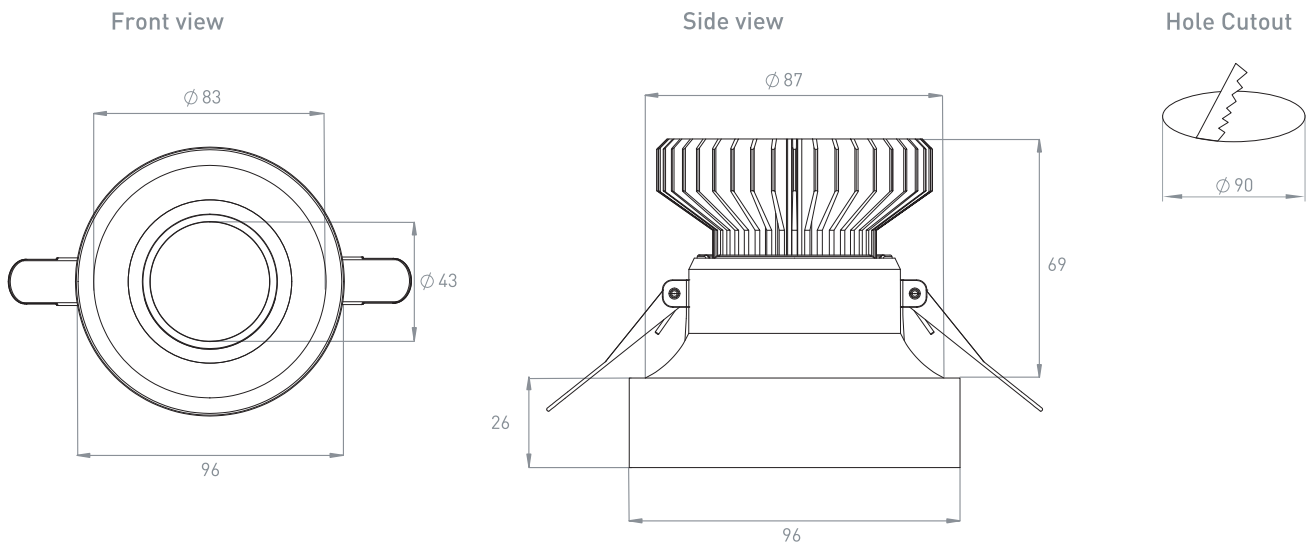


**TRU-COLOUR.**

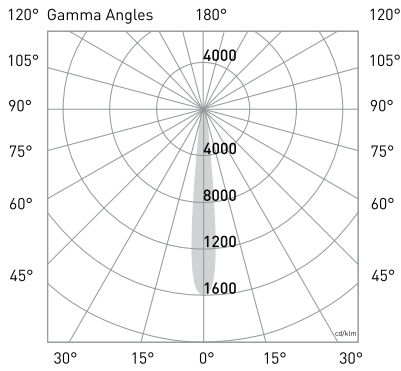
### Product Codes

|   |                       |  |   |  |  |
|---|-----------------------|--|---|--|--|
| <b>Unit:</b><br>D700.PLUS                                   | <b>Series:</b><br>CR  | <b>Colour temp. (K):</b><br>2.8K (2800K)<br>3K (3000K)<br>4K (4000K)<br>6K (6000K)<br>1.8K.3K (1800K-3000K)<br>(Nightshift)<br>2.8K.6K (2800K-6000K)<br>(Dayshift) | <b>Beam Angle (°):</b><br>11 (Very Narrow)<br>22 (Narrow)<br>36 (Medium-Narrow)<br>44 (Medium)<br>55 (Standard)<br>20.WWW (Wall wash wide)<br>25.BW (Batwing)<br>E35.70 (Elyptical)<br>ULG.55 (Ultra low glare) | <b>Inner Colour:</b><br>B (BLACK)<br>W (WHITE)<br>RALXXXX<br>(Custom Colour) | <b>Control:</b><br>PH (Phase Dimming)<br>DA (DALI)<br>ZG (ZIGBEE 3.0)<br>CS (CASAMBI)<br>010 (0-10V) |
| <b>Light Depth:</b><br>- (Standard: 21mm)<br>D (Deep: 52mm) | <b>Style:</b><br>PUCK | <b>Style Colour:</b><br>B (BLACK)<br>W (WHITE)<br>RALXXXX (Custom Colour)  | <b>Generation:</b><br>4.0   |  |  |

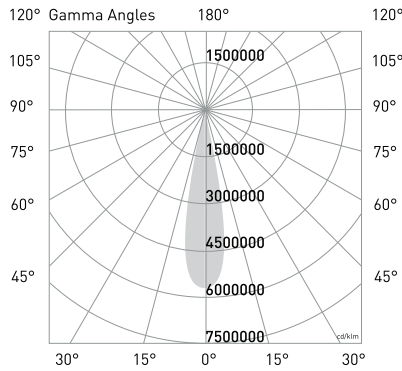
### Dimensions (mm)



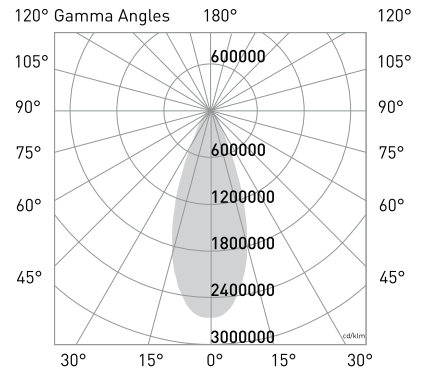
Photometric Diagrams



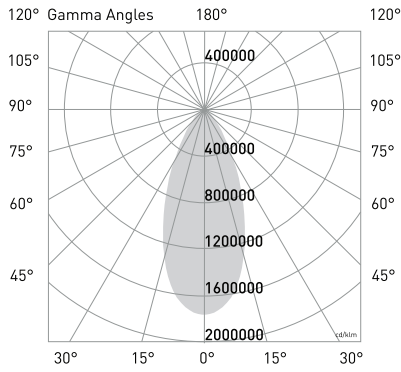
Beam Angle: 11° (Very Narrow)



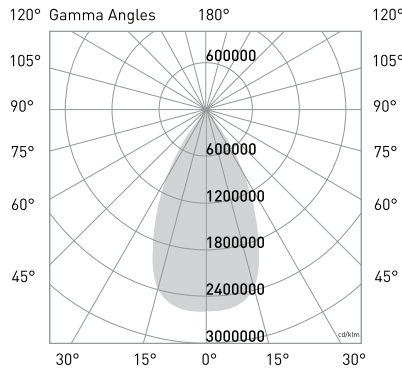
Beam Angle: 22° (Narrow)



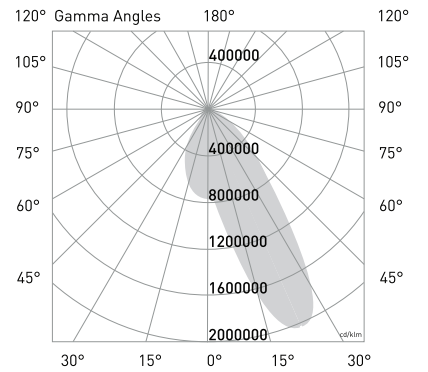
Beam Angle: 36° (Medium-Narrow)



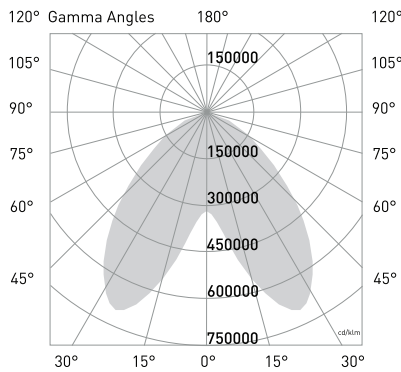
Beam Angle: 44° (Medium)



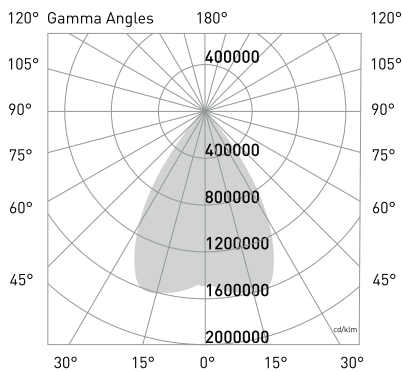
Beam Angle: 55° (Standard)



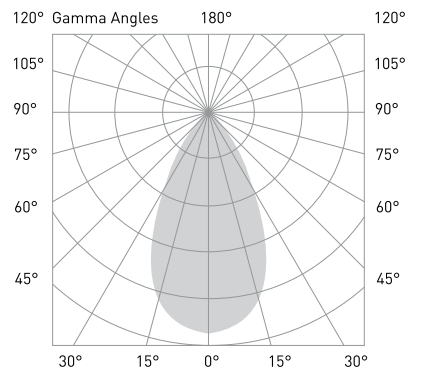
Beam Angle: 20.WWW (Wall wash wide)



Beam Angle: 25.BW (Batwing)



Beam Angle: E35.70 (Elyptical)



Beam Angle: ULG.55 (Ultra low glare)

## CCT Output

**CCT:** 2800K  
**Efficacy:** 59lm/W  
**Delivered lumen output:** 590lm  
**CRI:** 98  
**Standard deviation of colour Matching (SDCM):** 2 MacAdam steps

**CCT:** 3000K  
**Efficacy:** 76lm/W  
**Delivered lumen output:** 760lm  
**CRI:** 98  
**Standard deviation of colour Matching (SDCM):** 2 MacAdam steps

**CCT:** 4000K  
**Efficacy:** 85lm/W  
**Delivered lumen output:** 850lm  
**CRI:** 98  
**Standard deviation of colour Matching (SDCM):** 2 MacAdam steps

**CCT:** 6000K  
**Efficacy:** 77lm/W  
**Delivered lumen output:** 765lm  
**CRI:** 98  
**Standard deviation of colour Matching (SDCM):** 2 MacAdam steps

**CCT:** 1800K-3100K  
**Efficacy:** 71lm/W  
**Delivered lumen output:** 705lm  
**CRI:** 98  
**Standard deviation of colour Matching (SDCM):** 2 MacAdam steps

**CCT:** 2800K-6000K  
**Efficacy:** 76lm/W  
**Delivered lumen output:** 760lm  
**CRI:** 98  
**Standard deviation of colour Matching (SDCM):** 2 MacAdam steps

## Electrical

|                                   |                            |                          |                                     |                        |                                 |                                 |
|-----------------------------------|----------------------------|--------------------------|-------------------------------------|------------------------|---------------------------------|---------------------------------|
| <b>Input Voltage:</b><br>220-265V | <b>Power Usage:</b><br>10W | <b>Current:</b><br>245mA | <b>Driver Power Factor:</b><br>>0.9 | <b>Dimming:</b><br>Yes | <b>DC Cable Length:</b><br>0.3m | <b>AC Cable Length:</b><br>0.6m |
|-----------------------------------|----------------------------|--------------------------|-------------------------------------|------------------------|---------------------------------|---------------------------------|

*Note: Dayshift (2.8K,6K) will only work with DALI DT8 or ZIGBEE driver*

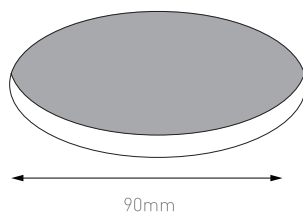
## Physical

|                                      |                           |                           |
|--------------------------------------|---------------------------|---------------------------|
| <b>Gimbal Angle (°):</b><br>19°/360° | <b>IP Rating:</b><br>IP44 | <b>IK Rating:</b><br>IK04 |
|--------------------------------------|---------------------------|---------------------------|

## Operational

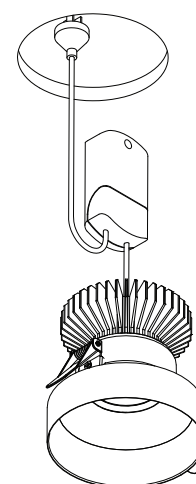
|  |                           |   |                                  |                              |
|--|---------------------------|---|----------------------------------|------------------------------|
| <b>Ambient temp.:</b><br>-28°C to 60°C | <b>IC Rating:</b><br>IC-4 | <b>UGR:</b><br><10 (55° Lens, X=4H, Y=8H) | <b>Lifetime:</b><br>>100,000 hrs | <b>Warranty:</b><br>10 Years |
|--|---------------------------|---|----------------------------------|------------------------------|

## Installation



### Step 1

Using a 90mm hole saw, cut a hole in the ceiling at the desired location.

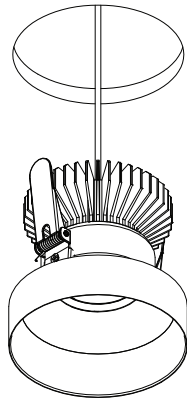


### Step 2

Plug the driver into a mounted general power outlet (GPO) in the ceiling. The luminaire can be covered and abutted with insulation.

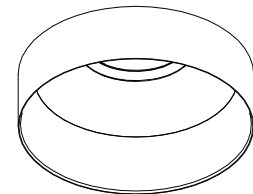
## Installation

---



### Step 3

Pull back the springs and insert the luminaire into the ceiling cavity.

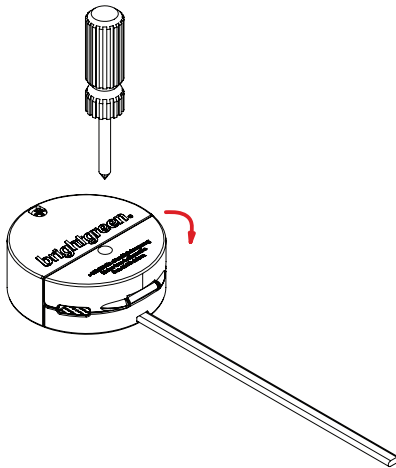


### Step 4

Once the light is installed, orient the luminaire using its gimbal to focus the light as required.

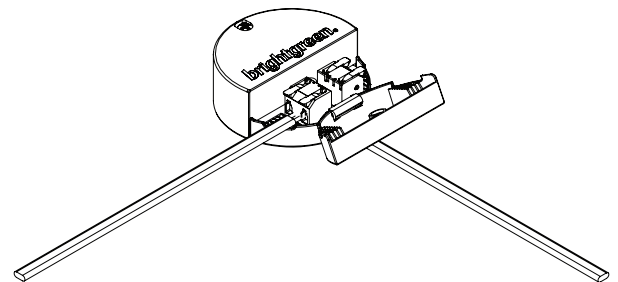
## Driver Hardwire - Installation

---



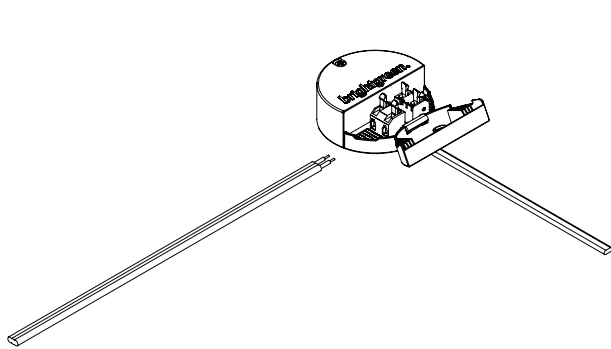
### Step 1

Using a phillips head screwdriver unscrew the screw and rotate the driver cap open.



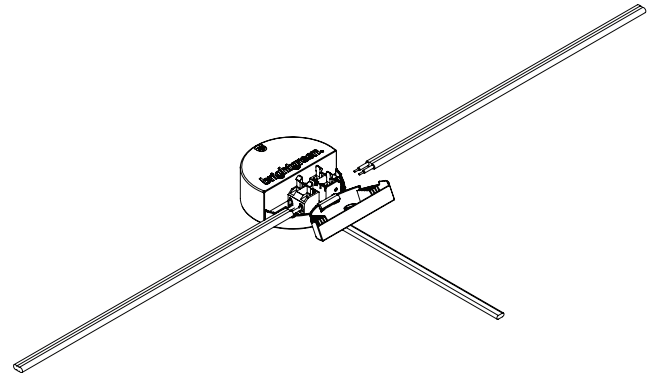
### Step 2

Lift up the 2 latches on the terminal block and remove the AU flex and plug.



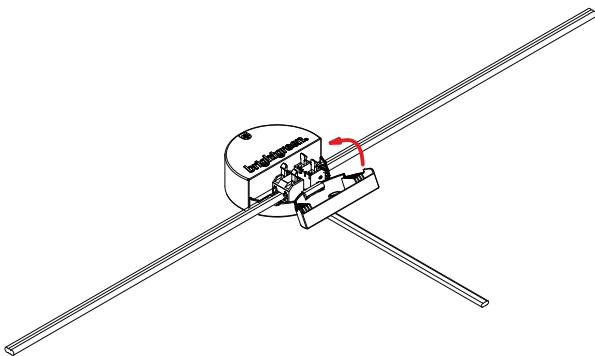
### Step 3

Insert the Active and neutral TPS cable into the terminal block and click the latches closed.



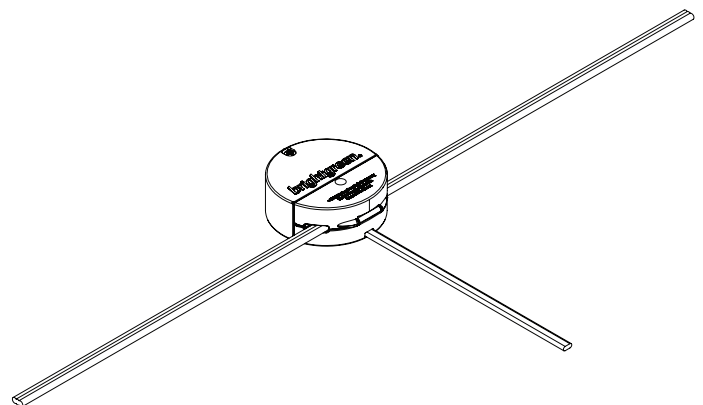
### Step 4

When continuing the circuit past this product, insert the active and neutral cable in the second terminal block. Ensure the same polarity as the previous cable.



### Step 5

Flip the lid closed and tighten the screw to ensure the cables are clamped and retained.



### Step 6

Installation complete.