

D700.MINI Curve LED Downlight

Datasheet



TRU-COLOUR

Product Codes

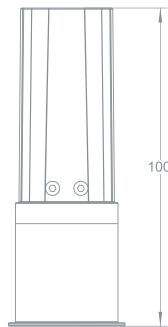
Unit:	Series:	Colour temp. (K):	Beam Angle:	Outer Color:	Inner Color:	Driver:	Version:
D700.MINI	CR	1800K - 3100K (1.8K.3.1K) [Nighshift Dim to Warm] [Special Order] 2.7K (2700K)[Special Order] 3K (3000K) 4K (4000K)[Special Order] 5K (5000K)[Special Order]	15° 24° 36°	BO (BLACK) WO (WHITE)	BI (BLACK) WI (WHITE)	PHASE (PHASE) ND (NON-DIMMABLE)	1.0

Dimensions (mm)

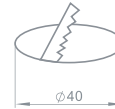
Front view



Side view

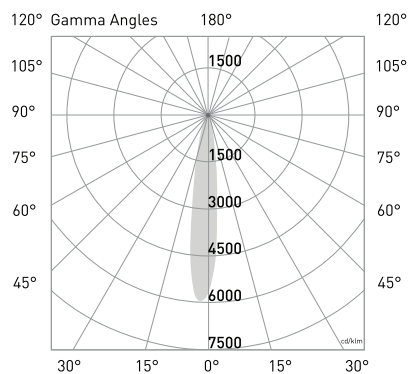


Hole Cutout

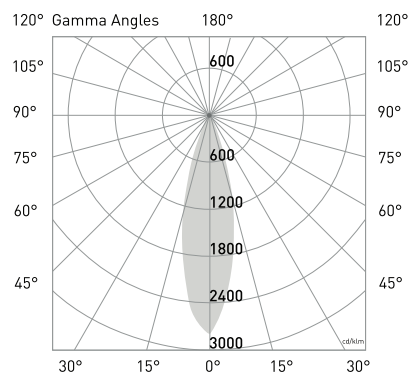


Photometrics

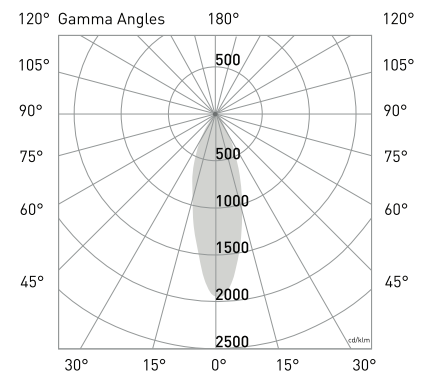
Photometric Diagrams



Beam Angle: 15°



Beam Angle: 24°



Beam Angle: 36°

CCT Output

CCT:
1800K - 3100K

Efficacy:
75lm/W

Delivered Lumen Output:
680lm

CRI:
98

CCT:
2700K

Efficacy:
74lm/W

Delivered Lumen Output:
665lm

CRI:
98

CCT:
3000K

Efficacy:
75lm/W

Delivered Lumen Output:
680lm

CRI:
98

CCT:
4000K

Efficacy:
77lm/W

Delivered Lumen Output:
690lm

CRI:
98

CCT:
5000K

Efficacy:
84lm/W

Delivered Lumen Output:
750lm

CRI:
98

Electrical

Input Voltage:
240V

Power Usage:
9W

IP Rating:
IP44

Driver Power Factor:
>0.9

Dimming:
Yes

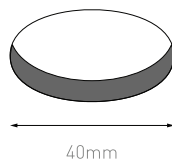
Operational

Ambient temp.:
-20°C to 60°

Lifetime:
70,000 hrs

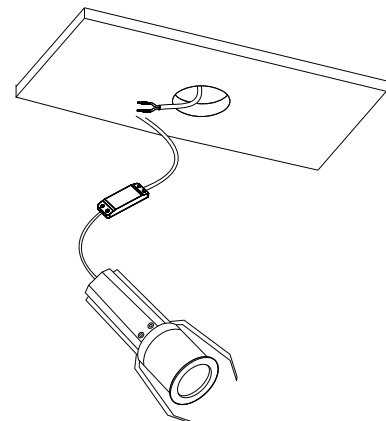
Warranty:
7 Years

Installation



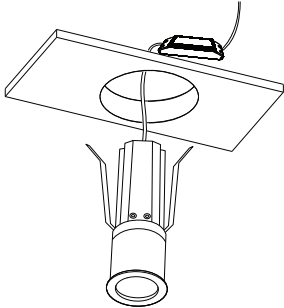
Step 1

Using a $\varnothing 40$ mm hole saw, cut a hole in the ceiling at the desired location.



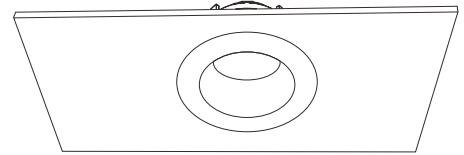
Step 2

Terminate the power cable from the ceiling to the driver using a junction box.



Step 3

Pull back the springs and insert the luminaire into the ceiling cavity.



Step 4

Installation complete.