

# D700.MINI.TRIMLESS Curve LED Downlight

## Datasheet

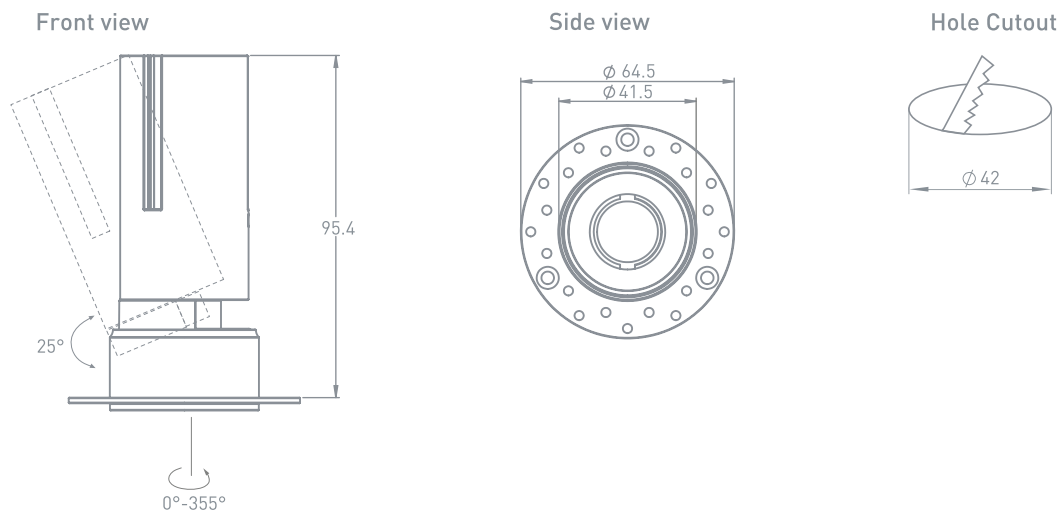


**TRU COLOUR®**

### Product Codes

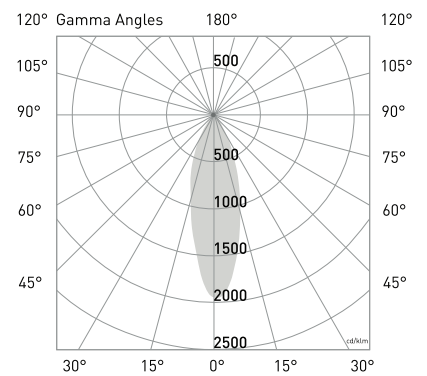
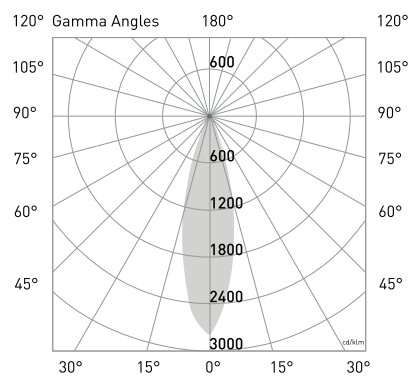
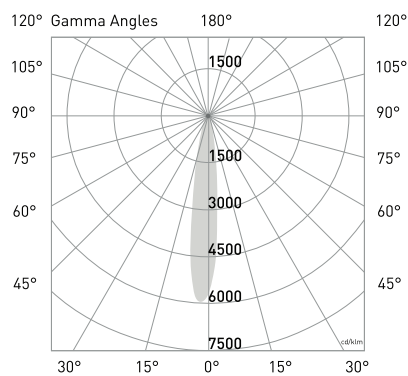
Unit:	Series:	Colour temp. (K):	Beam Angle:	Color:	Driver:	Version:
D700.MINI.TRIMLESS	CR	1800K - 3100K (1.8K.3.1K) [Nighshift Dim to Warm] [Special Order] 2.7K (2700K)[Special Order] 3K (3000K) 4K (4000K)[Special Order] 5K (5000K)[Special Order]	15° 24° 36°	W (WHITE)	PHASE (PHASE) ND (NON-DIMMABLE)	1.0

### Dimensions (mm)



### Photometrics

#### Photometric Diagrams



## CCT Outputs

**CCT:** 1800K - 3000K  
**Efficacy:** 75lm/W  
**Delivered lumen output:** 680lm  
**CRI:** 98  
**Standard deviation of colour Matching (SDCM):** 2 MacAdam steps

**CCT:** 2700K  
**Efficacy:** 74lm/W  
**Delivered lumen output:** 665lm  
**CRI:** 98  
**Standard deviation of colour Matching (SDCM):** 2 MacAdam steps

**CCT:** 3000K  
**Efficacy:** 75lm/W  
**Delivered lumen output:** 680lm  
**CRI:** 98  
**Standard deviation of colour Matching (SDCM):** 2 MacAdam steps

**CCT:** 4000K  
**Efficacy:** 77lm/W  
**Delivered lumen output:** 690lm  
**CRI:** 98  
**Standard deviation of colour Matching (SDCM):** 2 MacAdam steps

**CCT:** 5000K  
**Efficacy:** 84lm/W  
**Delivered lumen output:** 750lm  
**CRI:** 98  
**Standard deviation of colour Matching (SDCM):** 2 MacAdam steps

## Electrical

<b>Input Voltage:</b> 240V	<b>Power Usage:</b> 9W	<b>IP Rating:</b> IP44	<b>Driver Power Factor:</b> >0.9	<b>Dimming:</b> Yes
-------------------------------	---------------------------	---------------------------	-------------------------------------	------------------------

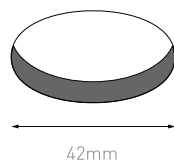
## Physical

<b>Gimbal Angle (°):</b> 25°/355°	<b>IP Rating:</b> IP44
--------------------------------------	---------------------------

## Operational

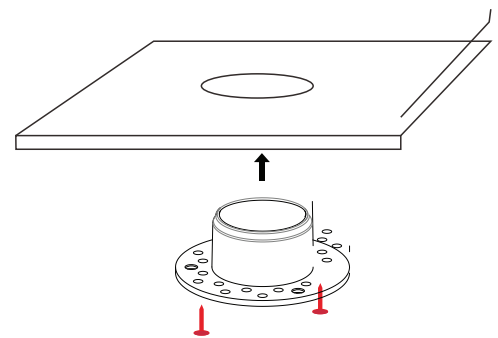
<b>Ambient temp.:</b> -20°C to 60°	<b>Lifetime:</b> 70,000 hrs	<b>Warranty:</b> 7 Years	<b>IC Rating:</b> IC-4
---------------------------------------	--------------------------------	-----------------------------	---------------------------

## Installation



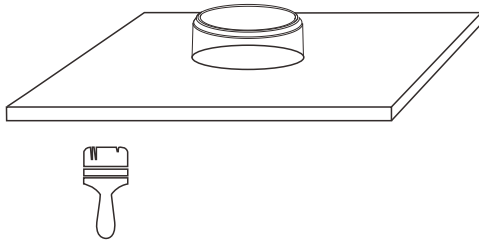
### Step 1

Using a  $\varnothing 42$ mm hole saw, cut a hole in the ceiling at the desired location.



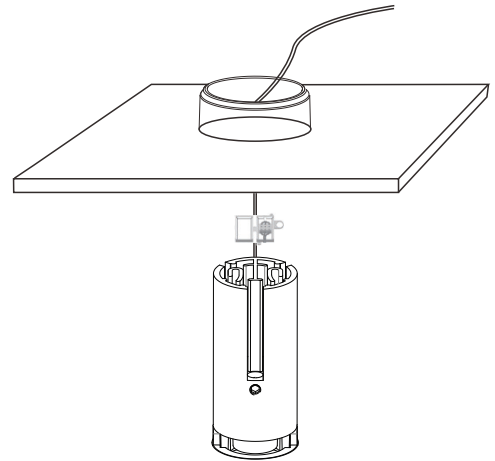
### Step 2

Install the mounting plate into the hole and fix with the screws.



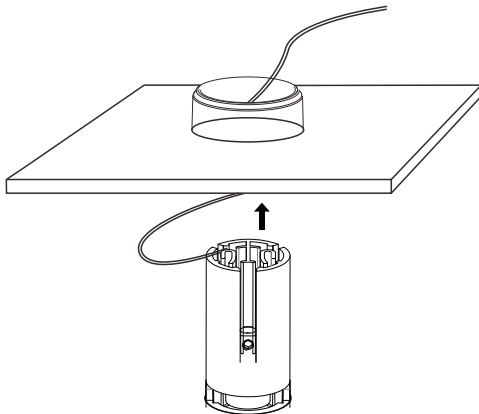
### Step 3

Apply plaster over the anti-crack mesh and then paint to match the ceiling color.



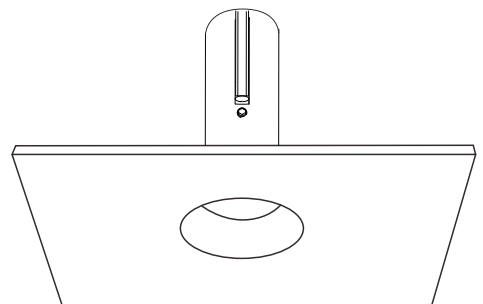
### Step 4

Terminate the power cable from the ceiling to the driver using a junction box.



### Step 5

Insert the luminaire into the mounting plate.



### Step 6

Installation complete.