

D600.RSXH Curve LED Light

Datasheet

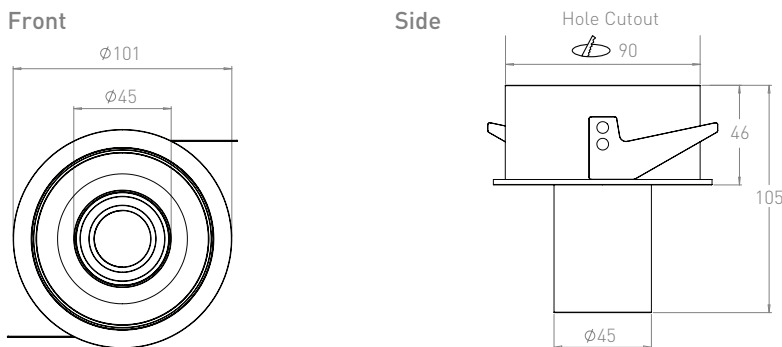


TRU-COLOUR®

Product Codes

Unit: D600.RSXH	Family: CR	Colour Temp. (K): 2700K (2.7K) 3000K (3K) 4000K (4K) 5000K (5K)	Beam Angle: 36° 15°-36° (15.36) (zoomable)	Finish: White (W) Black (B)	Version: 1.0	Driver: PHASE DALI 0-10V CASAMBI
---------------------------	----------------------	--	--	--	------------------------	---

Dimensions (mm)



Photometrics

Delivered lumen: 2.7K - 410lm 3K - 420lm 4K - 430lm 5K - 465lm	Efficacy 2.7K - 59lm/W 3K - 60lm/W 4K - 61lm/W 5K - 67lm/W	CRI: CRI97-CRI98
---	---	----------------------------

Electrical

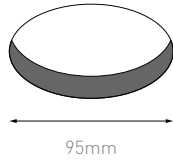
Input Voltage: AC200-220V	Power Usage: 7W	Driver Power Factor: >0.5	IP Rating: IP20	Dimmable: Yes
-------------------------------------	---------------------------	-------------------------------------	---------------------------	-------------------------

Operational

Ambient Temp.:
-20°C to 45°C

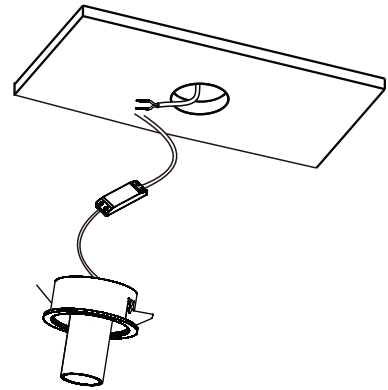
Physical

Gimbal Angle: 25°/360°	Warranty: 5 yrs	Version: 1.0
----------------------------------	---------------------------	------------------------



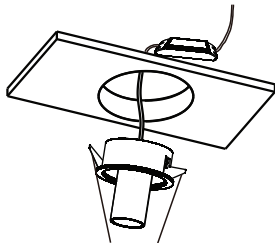
Step 1

Using a 95mm hole saw, cut a hole in the ceiling at the desired location.



Step 2

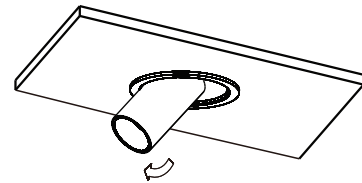
Plug the driver into a mounted general power outlet (GPO) in the ceiling.



Hold the springs

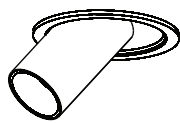
Step 3

Pull back the springs and insert the luminaire into the ceiling cavity.



Step 4

Once the light is installed, orient the luminaire using its universal gimbal to focus the light as required.



Step 5

Installation complete.