

D400.MINI.TRIMLESS Curve LED Downlight

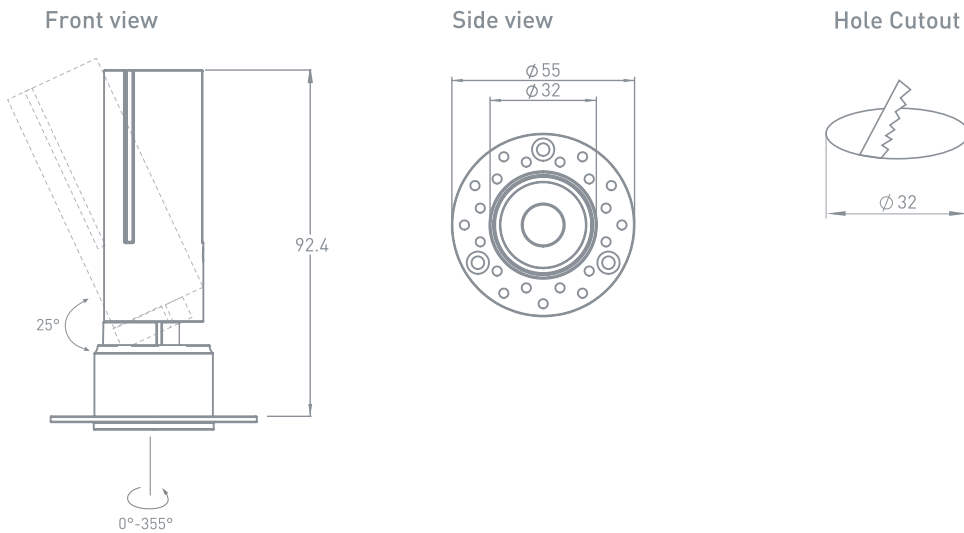
Datasheet



Product Codes

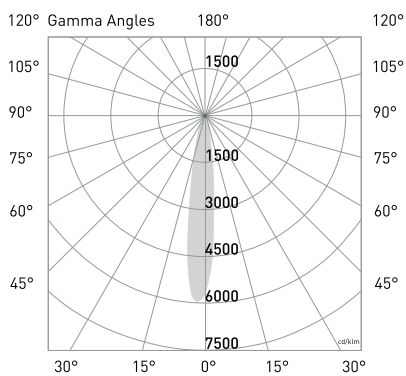
Unit:	Series:	Colour temp. (K):	Beam Angle:	Color:	Driver:	Version:
D400.MINI.TRIMLESS	CR	2.7K (2700K)(Special Order) 3K (3000K) 4K (4000K)(Special Order) 5K (5000K)(Special Order)	15° 24° 36°	W (WHITE)	PHASE (PHASE) ND (Non-Dimmable)	1.0

Dimensions (mm)

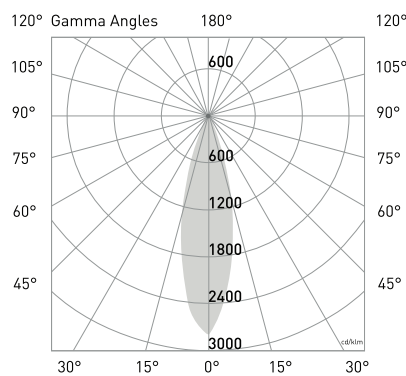


Photometrics

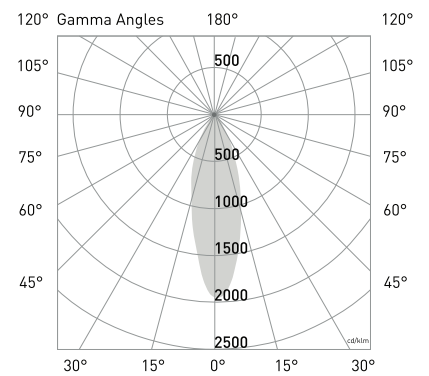
Photometric Diagrams



Beam Angle: 15°



Beam Angle: 24°



Beam Angle: 36°

CCT Outputs

CCT: 2700K
Efficacy: 78lm/W
Delivered lumen output: 390lm
CRI: 98
Standard deviation of colour Matching (SDCM): 2 MacAdam steps

CCT: 3000K
Efficacy: 80lm/W
Delivered lumen output: 400lm
CRI: 98
Standard deviation of colour Matching (SDCM): 2 MacAdam steps

CCT: 4000K
Efficacy: 82lm/W
Delivered lumen output: 410lm
CRI: 98
Standard deviation of colour Matching (SDCM): 2 MacAdam steps

CCT: 5000K
Efficacy: 89lm/W
Delivered lumen output: 445lm
CRI: 98
Standard deviation of colour Matching (SDCM): 2 MacAdam steps

Electrical

Input Voltage: 240V	Power Usage: 5W	Current: 1500mA	Driver Power Factor: >0.9	Dimming: Yes
-------------------------------	---------------------------	---------------------------	-------------------------------------	------------------------

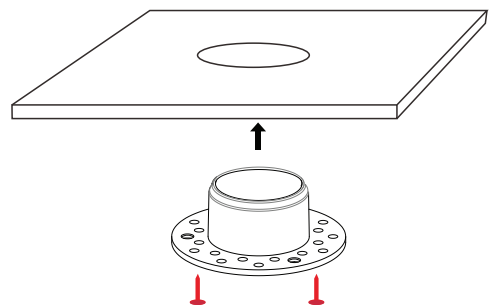
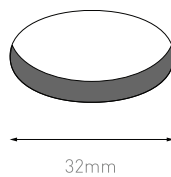
Physical

Gimbal Angle (°): 25°/355°	IP Rating: IP44
--------------------------------------	---------------------------

Operational

Ambient temp.: -20°C to 60°	Lifetime: 70,000 hrs	Warranty: 7 Years	IC Rating: IC-4
---------------------------------------	--------------------------------	-----------------------------	---------------------------

Installation



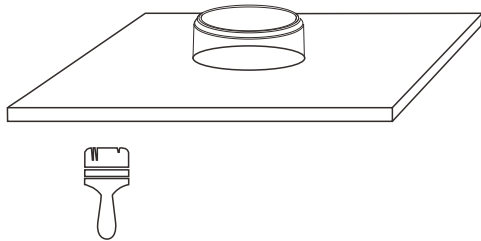
Step 1

Using a $\varnothing 32$ mm hole saw, cut a hole in the ceiling at the desired location.

Step 2

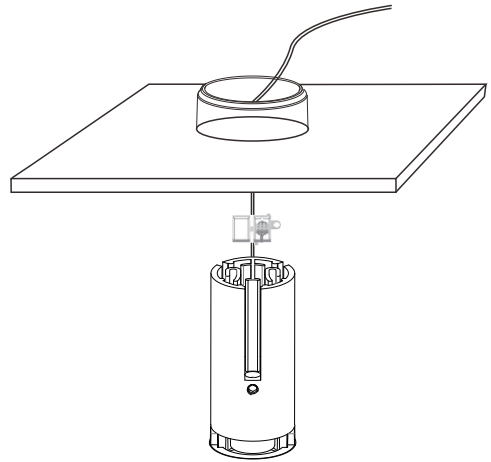
Install the mounting plate into the hole and fix with the screws.

Installation



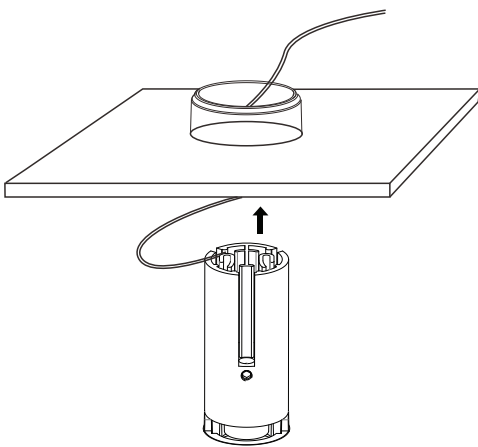
Step 3

Apply plaster over the anti-crack mesh and then paint to match the ceiling color.



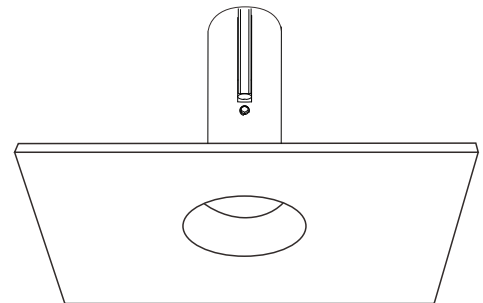
Step 4

Terminate the power cable from the ceiling to the driver using a junction box.



Step 5

Insert the luminaire into the mounting plate.



Step 6

Installation complete.