

# D2000+ Curve LED Downlight Datasheet



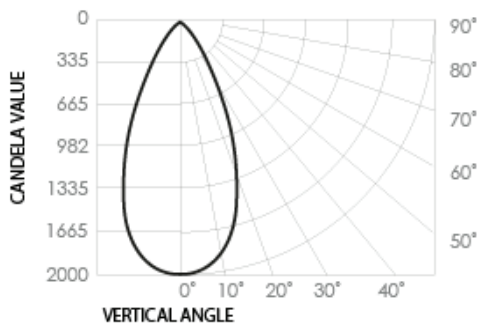
**TRU-COLOUR®**

## Product codes

Unit:	Series:	Colour temp.:	Beam angle (°):	Colour:	Driver Type:
D2000+	CR	1.8K.3.1K (Nightshift)	24	B (Black)	PHASE (PHASE)
		2.8K.5.8K (Dayshift) (ZIGBEE)	38	W (White)	DALI (DALI)
		2.7K	45		ZIGBEE (ZIGBEE 3.0)
		3K	55		CASAMBI (CASAMBI)
		4K			010V (0-10V)
		5K			

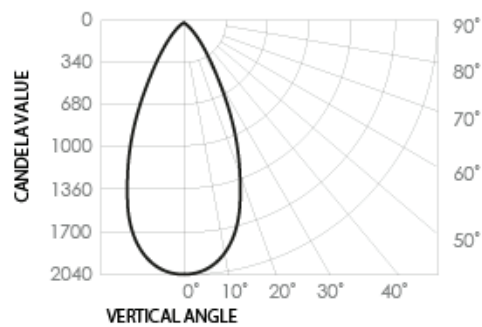
## Photometrics

### Standard Products



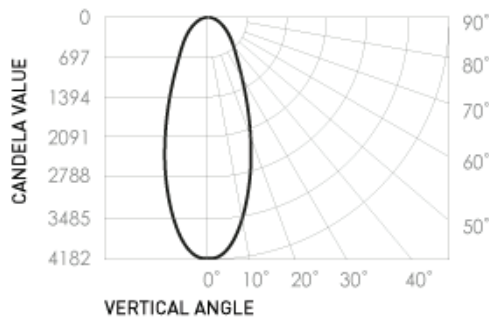
Source lumen output: 2100lm  
 Delivered lumen: 2000lm  
 Efficacy: 80lm/W  
 Colour temp.: 3000K  
 Beam angle: 55°  
 CRI: 97

Standard Deviation of colour matching (SDCM): 2MacAdams Steps



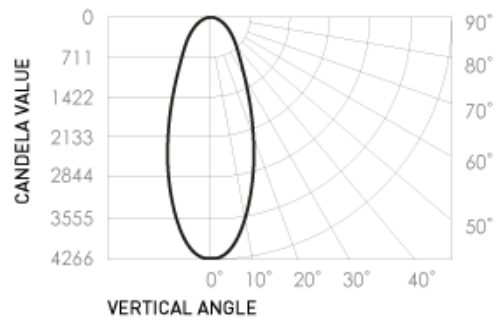
Source lumen output: 2140lm  
 Delivered lumen: 2040lm  
 Efficacy: 82lm/W  
 Colour temp.: 4000K  
 Beam angle: 55°  
 CRI: 97

Standard Deviation of colour matching (SDCM): 2MacAdams Steps



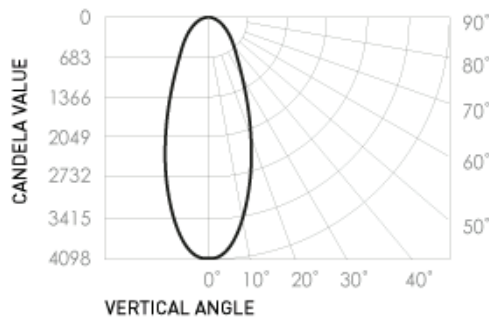
Source lumen output: 2100lm  
 Delivered lumen: 2000lm  
 Efficacy: 80lm/W  
 Colour temp.: 3000K  
 Beam angle: 45°  
 CRI: 97

Standard Deviation of colour matching (SDCM): 2MacAdams Steps



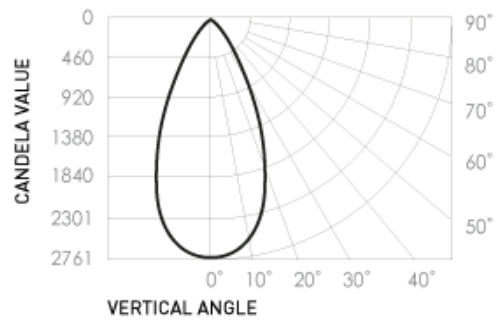
Source lumen output: 2140lm  
 Delivered lumen: 2040lm  
 Efficacy: 82lm/W  
 Colour temp.: 4000K  
 Beam angle: 45°  
 CRI: 97

Standard Deviation of colour matching (SDCM): 2MacAdams Steps



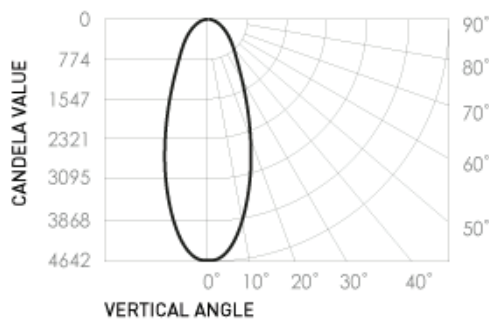
Source lumen output: 2055lm  
 Delivered lumen: 1960lm  
 Efficacy: 78lm/W  
 Colour temp.: 2700K (Special Order)  
 Beam angle: 45°  
 CRI: 97

Standard Deviation of colour matching (SDCM): 2MacAdams Steps



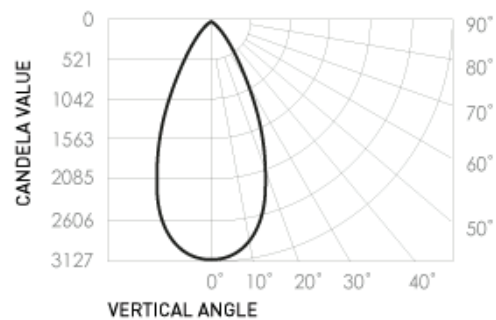
Source lumen output: 2055lm  
 Delivered lumen: 1960lm  
 Efficacy: 78lm/W  
 Colour temp.: 2700K (Special Order)  
 Beam angle: 55°  
 CRI: 97

Standard Deviation of colour matching (SDCM): 2MacAdams Steps



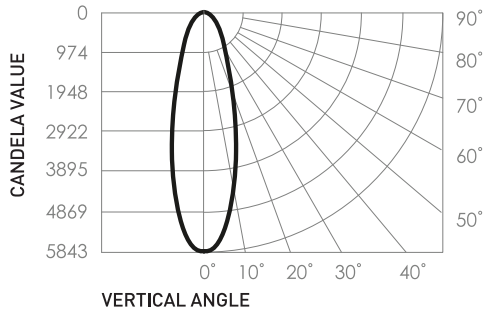
Source lumen output: 2330lm  
 Delivered lumen: 2220lm  
 Efficacy: 89lm/W  
 Colour temp.: 5000K (Special Order)  
 Beam angle: 45°  
 CRI: 97

Standard Deviation of colour matching (SDCM): 2MacAdams Steps

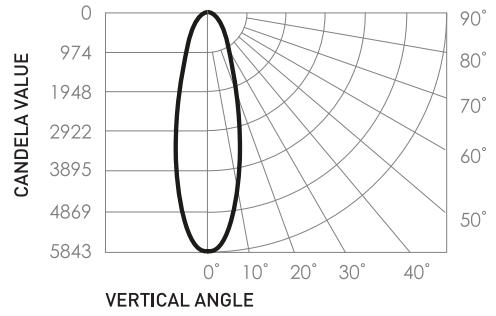


Source lumen output: 2330lm  
 Delivered lumen: 2220lm  
 Efficacy: 89lm/W  
 Colour temp.: 5000K (Special Order)  
 Beam angle: 55°  
 CRI: 97

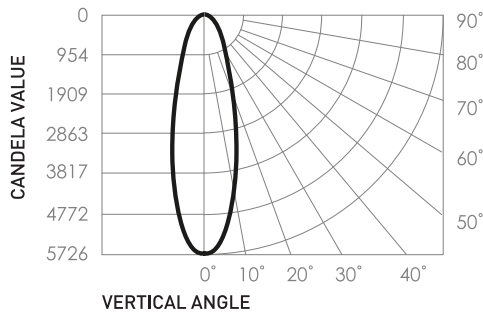
Standard Deviation of colour matching (SDCM): 2MacAdams Steps



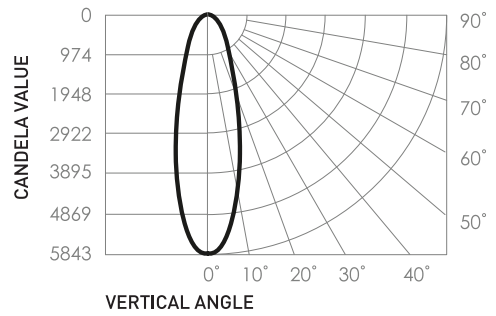
Source lumen output: 2100lm  
 Delivered lumen: 2000lm  
 Efficacy: 80lm/W  
 Colour temp.: 1.8K.3.1K  
 Beam angle: 38°  
 CRI: 97  
 Standard Deviation of colour matching (SDCM): 2MacAdams Steps



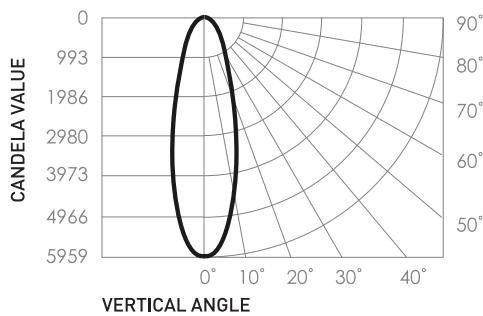
Source lumen output: 2100lm  
 Delivered lumen: 2000lm  
 Efficacy: 80lm/W  
 Colour temp.: 2.8K.5.8K  
 Beam angle: 38°  
 CRI: 97  
 Standard Deviation of colour matching (SDCM): 2MacAdams Steps



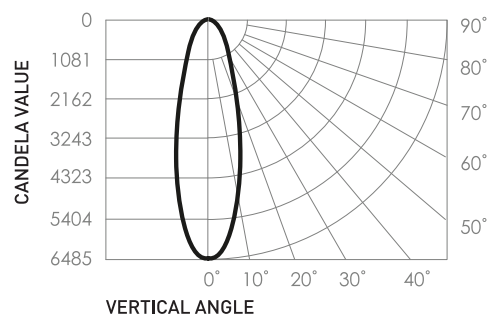
Source lumen output: 2055lm  
 Delivered lumen: 1960lm  
 Efficacy: 78lm/W  
 Colour temp.: 2700K  
 Beam angle: 38°  
 CRI: 97  
 Standard Deviation of colour matching (SDCM): 2MacAdams Steps



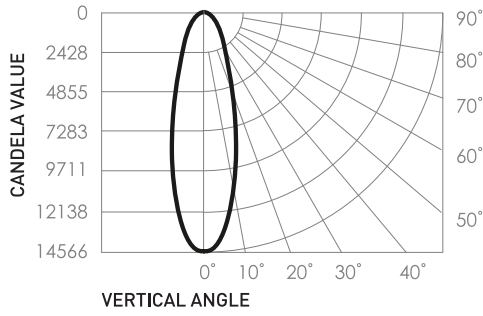
Source lumen output: 2100lm  
 Delivered lumen: 2000lm  
 Efficacy: 80lm/W  
 Colour temp.: 3000K  
 Beam angle: 38°  
 CRI: 97  
 Standard Deviation of colour matching (SDCM): 2MacAdams Steps



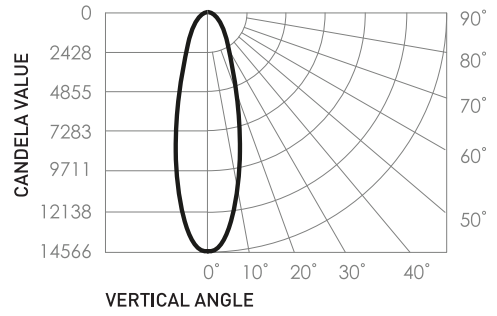
Source lumen output: 2140lm  
 Delivered lumen: 2040lm  
 Efficacy: 82lm/W  
 Colour temp.: 4000K  
 Beam angle: 38°  
 CRI: 97  
 Standard Deviation of colour matching (SDCM): 2MacAdams Steps



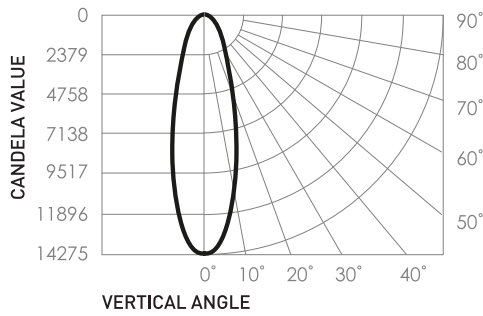
Source lumen output: 2330lm  
 Delivered lumen: 2220lm  
 Efficacy: 89lm/W  
 Colour temp.: 5000K  
 Beam angle: 38°  
 CRI: 97  
 Standard Deviation of colour matching (SDCM): 2MacAdams Steps



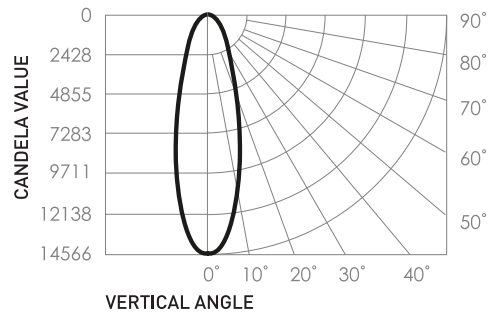
**Source lumen output:** 2100lm  
**Delivered lumen:** 2000lm  
**Efficacy:** 80lm/W  
**Colour temp.:** 1.8K.3.1K  
**Beam angle:** 24°  
**CRI:** 97  
**Standard Deviation of colour matching (SDCM):** 2MacAdams Steps



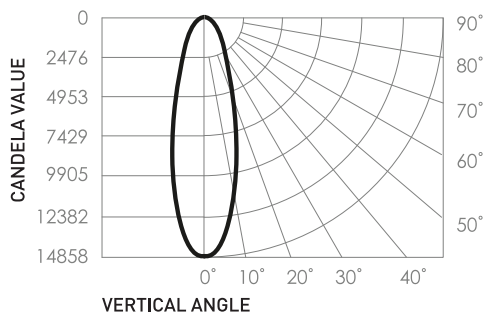
**Source lumen output:** 2100lm  
**Delivered lumen:** 2000lm  
**Efficacy:** 80lm/W  
**Colour temp.:** 2.8K.5.8K  
**Beam angle:** 24°  
**CRI:** 97  
**Standard Deviation of colour matching (SDCM):** 2MacAdams Steps



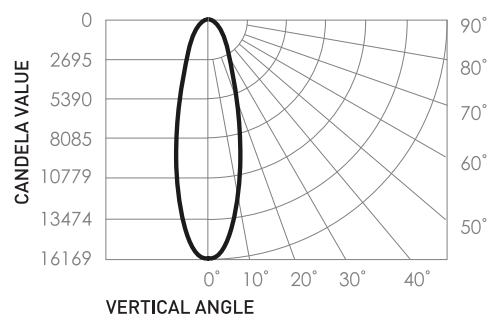
**Source lumen output:** 2055lm  
**Delivered lumen:** 1960lm  
**Efficacy:** 78lm/W  
**Colour temp.:** 2700K  
**Beam angle:** 24°  
**CRI:** 97  
**Standard Deviation of colour matching (SDCM):** 2MacAdams Steps



**Source lumen output:** 2100lm  
**Delivered lumen:** 2000lm  
**Efficacy:** 80lm/W  
**Colour temp.:** 3000K  
**Beam angle:** 24°  
**CRI:** 97  
**Standard Deviation of colour matching (SDCM):** 2MacAdams Steps



**Source lumen output:** 2140lm  
**Delivered lumen:** 2040lm  
**Efficacy:** 82lm/W  
**Colour temp.:** 4000K  
**Beam angle:** 24°  
**CRI:** 97  
**Standard Deviation of colour matching (SDCM):** 2MacAdams Steps

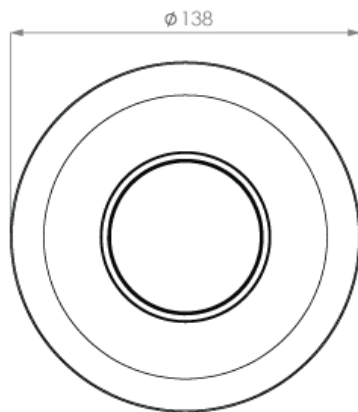


**Source lumen output:** 2330lm  
**Delivered lumen:** 2220lm  
**Efficacy:** 89lm/W  
**Colour temp.:** 5000K  
**Beam angle:** 24°  
**CRI:** 97  
**Standard Deviation of colour matching (SDCM):** 2MacAdams Steps

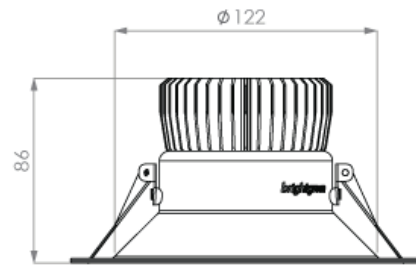
## Dimensions (mm)

---

Front view



Side view



## Electrical

<b>Input voltage:</b> 220-240V	<b>Power usage:</b> 25W	<b>Driver power factor:</b> 0.9	<b>IP rating:</b> IP44	<b>Surge protection:</b> Yes
<b>AC Cable length:</b> 1.2m	<b>Dimmable:</b> Yes	<b>Driver:</b> BG-025DALI-OS-550mA, BG-030DALI-250mA.1000mA-DS (set to 750mA), BG-024BSD-550mA, BG-030ZIGBEE-250/1000- mA (set to 550mA), BG-030ZIGBEE-250/1000- mA-DS (set to 750mA)	<b>DC Cable Length:</b> 0.3m	

## Operational

<b>Average temp.:</b> 65°C	<b>Ambient temp.:</b> -28 to 60°C	<b>Lifetime L70, B10:</b> 70,000 hrs (@TA25)	<b>Thermal rating:</b> IC-4	<b>Source Lumens:</b> 2100lm or 2140lm or 2055lm or 2330lm
<b>SDCM:</b> 2MacAdam Steps				

## Physical

**Warranty:**  
7 years

## Compatibility

### Recommended Dimmers:

Compatible with leading home automation systems and dimmers.

Recommended Dimmers:

Universal, Trailing Edge, Leading Edge.  
Dali option available on request.

Dayshift CCT (2.8K-5.8K) requires a ZIGBEE or DALI driver.

\*For more details please refer to:  
<https://brightgreen.com/digital-driver>  
All systems are unique, please  
call 1300 672 499 for advice on your installation.

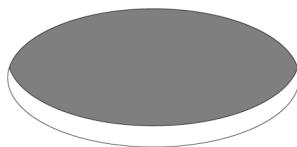
### Brightgreen Smart Lighting:

Dimmable LED driver utilises Zigbee 3.0 protocol  
Compatible with universal Zigbee Hub products such as Philips Hue  
Samsung Smart Things.

Follow pairing procedure found in smart driver datasheet.

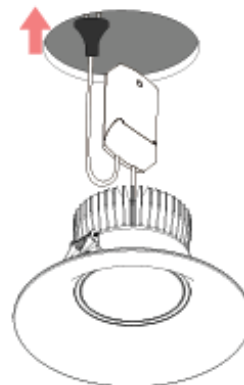
\*For more details please call 1300 672 499 for advice on your installation.

## Installation



### Step 1

Using a 127mm hole saw, cut a hole in the ceiling at the desired location.

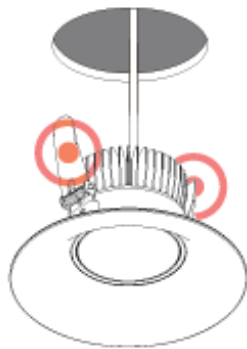


### Step 2

Plug the driver into a mounted general power outlet (GPO) in the ceiling.

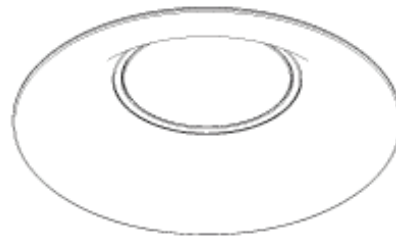
## Installation

---



### Step 3

Pull back the springs and insert the luminaire into the ceiling cavity. This luminaire can be covered and abutted with insulation.



### Step 4

Installation complete.