

A P P A R A T U S



AGED BRASS

CYLINDER : DOWNLIGHT EXTENDED

REFERENCE

PROPORTION VERSUS UTILITY
WALTER DE MARIA

COMPOSITION

FUNCTIONAL, DIRECTIONAL LIGHTING
MECHANICAL JOINT
PRIMARY OR SECONDARY LIGHT SOURCE

A P P A R A T U S

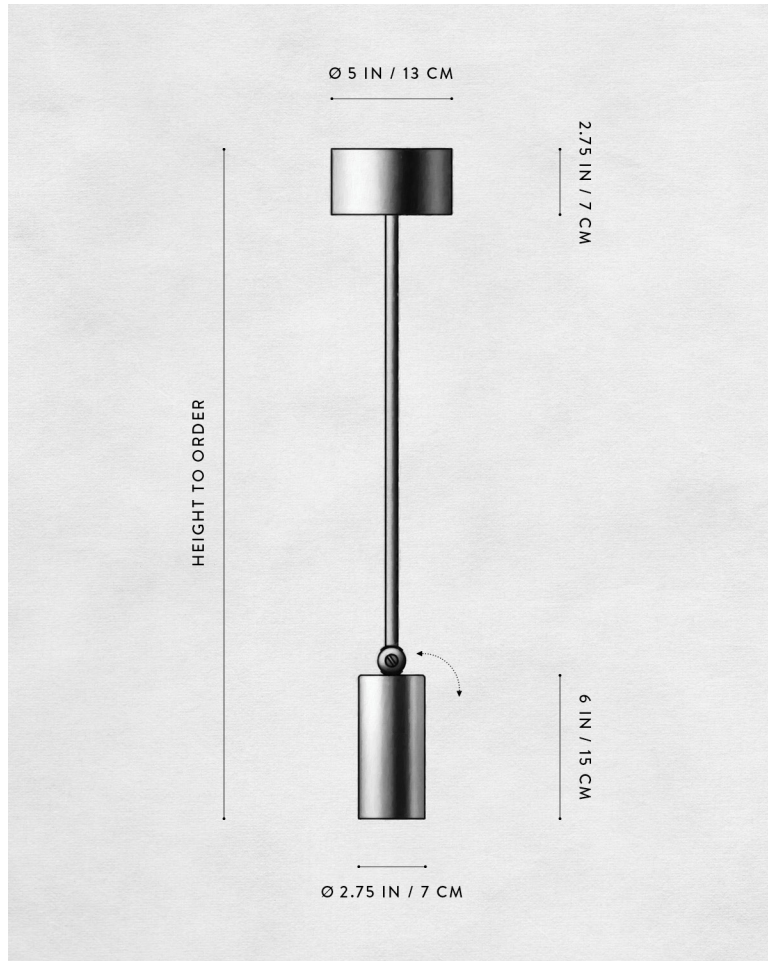


TARNISHED SILVER



BLACKENED BRASS | TARNISHED SILVER | BLACKENED BRASS

A P P A R A T U S



CYLINDER : DOWNLIGHT EXTENDED

DIMENSIONS

Ø 5 IN
Ø 13 CM

WEIGHT

HEIGHT TO ORDER
APPROX. 10 LBS / 5 KG

MINIMUM HEIGHT

13 IN
CUSTOM OPTIONS AVAILABLE FOR
HEIGHT OVER 72 IN

INCLUDES

60 IN

VOLTAGE

120-240
UL / CE

LAMPING BULB INCLUDED

MAX 25W
DIMMABLE LED BULB
2200K-2700K WARM DIM
500 LUMENS
120V : PAR20 BULB, 5.5W
240V : PAR20 BULB, 7W

BULB LIFE

30,000 HOURS

FINISHED AND ASSEMBLED BY HAND I
N NY DOMESTIC AND IMPORTED COMP
ONENTS

A P P A R A T U S



AGED BRASS



OIL-RUBBED BRONZE



BLACKENED BRASS



TARNISHED SILVER

METAL

CYLINDER : DOWNLIGHT EXTENDED

AGED BRASS [WAXED]

OIL-RUBBED BRONZE [WAXED]

BLACKENED BRASS [WAXED]

TARNISHED SILVER [LACQUERED] ADD 35%