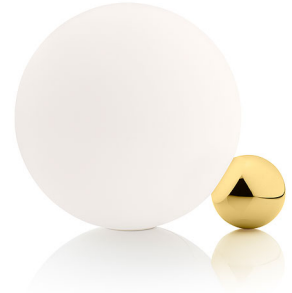


COPYCAT

Lamps description	I COB LED 2700K 1380lm total CRI83 - 16W
Finish	Polished aluminum, black nickel, Copper, Electroplating 24 Karat gold
Technical description	Table lighting fixture comprising an aluminium sphere machined from solid and then gold-coated with 24 K gold. Blown glass opal diffuser. LED light source with dimmer switch on the power cable.



ELECTRICAL

Emergency	Without
Switching	Dimmer switch on the power cable

PHYSICAL





Supply	Power cord
Construction material	Aluminum, Blown glass
Weight (kg)	3.6



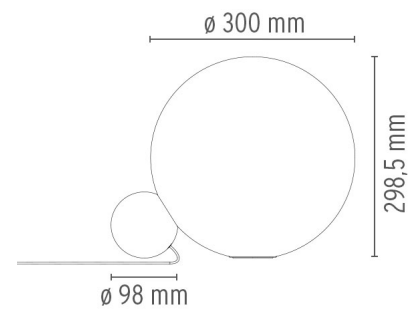
Copycat

designed by Michael Anastassiades

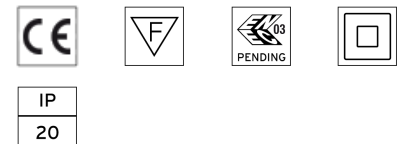
Table lighting fixture comprising an aluminium sphere machined from solid and then gold-coated with 24 K gold.

	F1952044	Electroplating 24 Karat gold
	F1952015	Copper
	F1952030	black nickel
	F1952050	Polished aluminium

DIMENSIONS

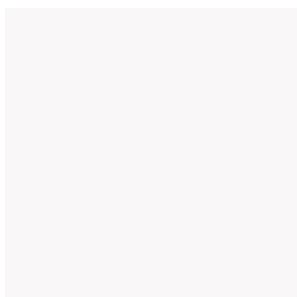


CERTIFICATIONS



IP
20

Copycat . Lamps



1 COB LED 2700K
1380lm total CRI83 - 16W

Lamp wattage:

16 W

Lamp category:

LED

Socket:

Special base

Color temperature (K):

2700 °K

Lamp type:





LED



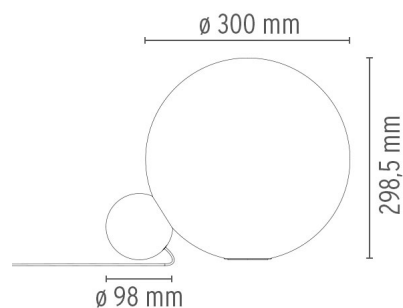
Copycat

designed by Michael Anastassiades

Table lighting fixture comprising an aluminium sphere machined from solid and then gold-coated with 24 K gold.

	F1952044	Electroplating 24 Karat gold
	F1952015	Copper
	F1952030	black nickel
	F1952050	Polished aluminium

DIMENSIONS



CERTIFICATIONS

