

BELL

RP-E-2311



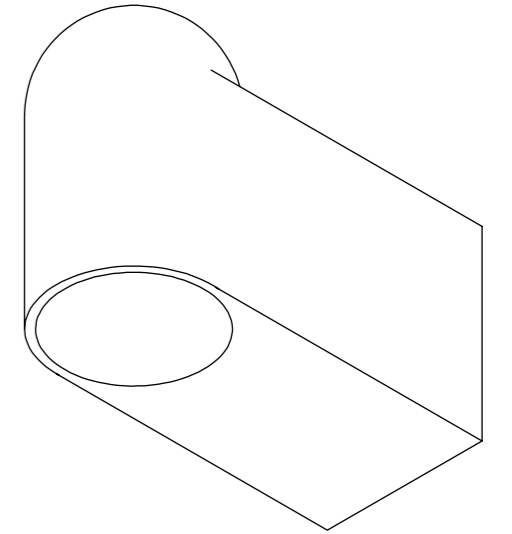
WWW.RAKUMBA.COM
SALES@RAKUMBA.COM

ALL RIGHTS RESERVED © RAKUMBA, 2023

Rakumba





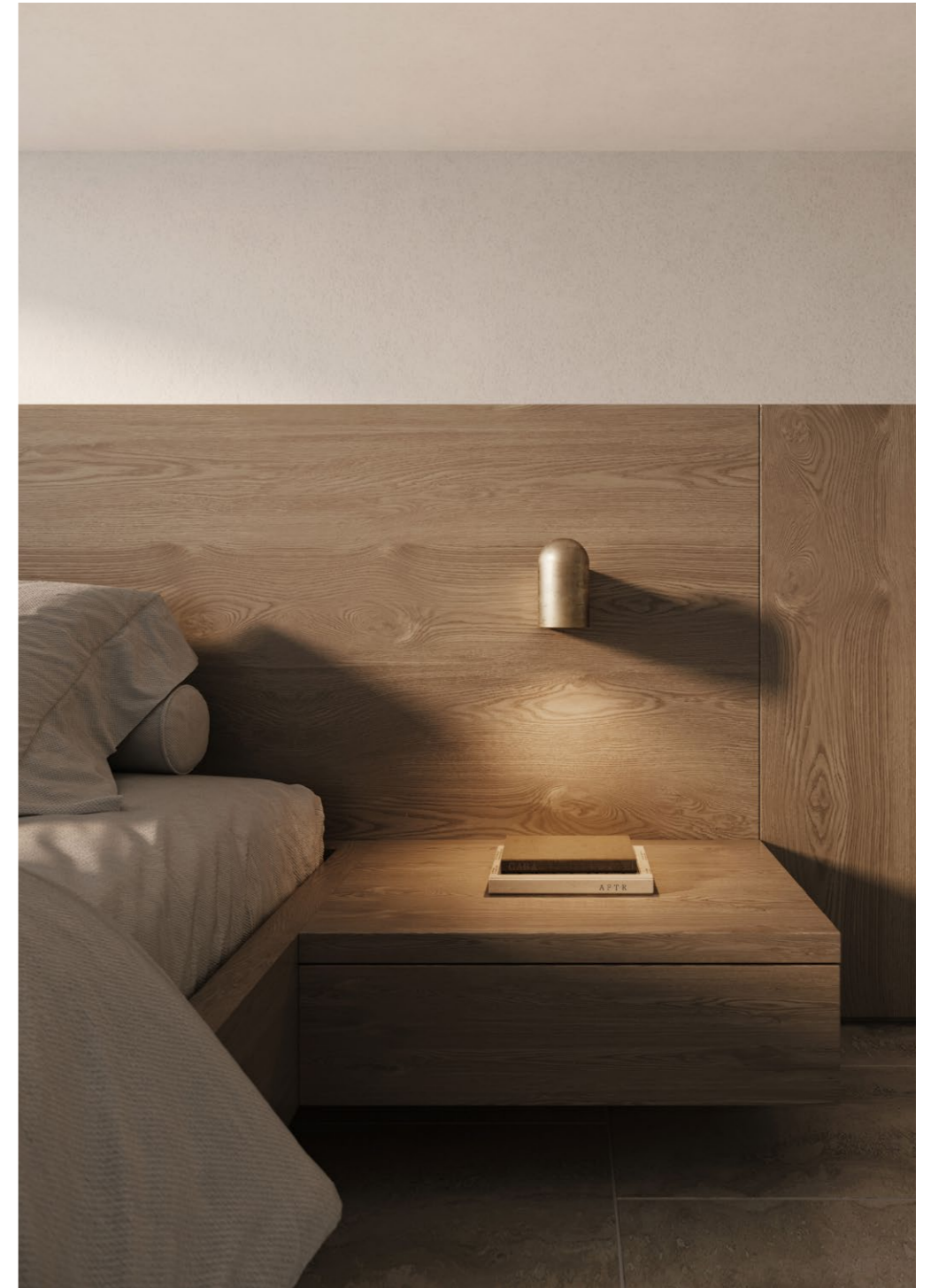


BELL

RP-E-2311

The Bell collection by AFTR studio is inspired by the texture and ocean-smoothed topology of Australia's iconic coastline. An artfully reduced geometry with an emphasis on scale and proportion, Bell contributes a raw monolithic materiality and clarity of form to elegant architectural projects.

With each piece uniquely textured from the sand casting process, Bell offers timeless raw aluminium or bronze finishes, alongside contemporary powdercoat offerings. Seamlessly transitioning from indoor to outdoor spaces, Bell's two sizes encourage diverse application.



"We are captivated by the transformative power of light as a medium. It shapes perception, evokes emotion, and offers an endlessly fascinating canvas for creative expression and innovative design."

————— ***AFTR Studio***





"AFTR seeks to curate everyday objects into timeless pieces of art - BELL is designed with an attention to detail and quality that ensures longevity and relevance across generations. "

————— *AFTR studio*



MODELS



CLASSIC



LARGE

FINISHES



CAST BRONZE TUMBLED



CAST BRONZE AGED



CAST ALUMINIUM TUMBLED



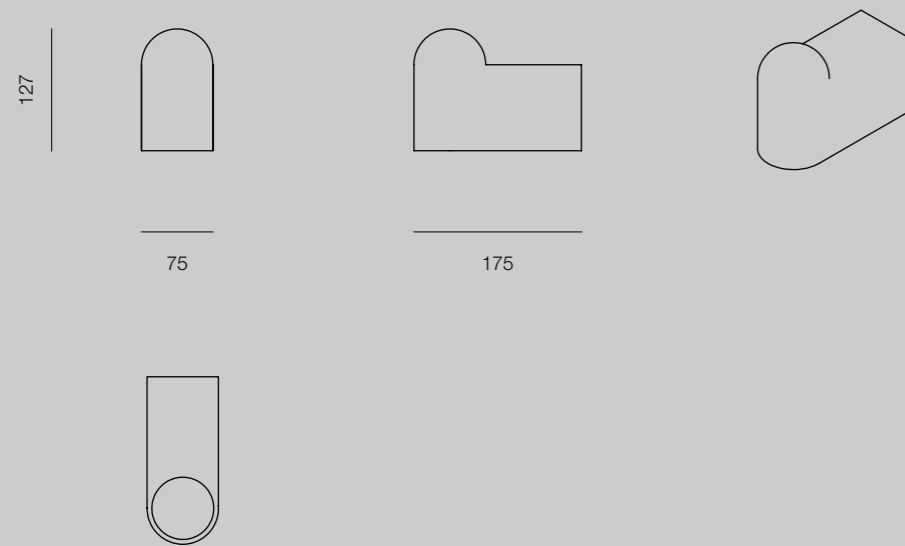
TEXTURED BLACK POWDERCOAT



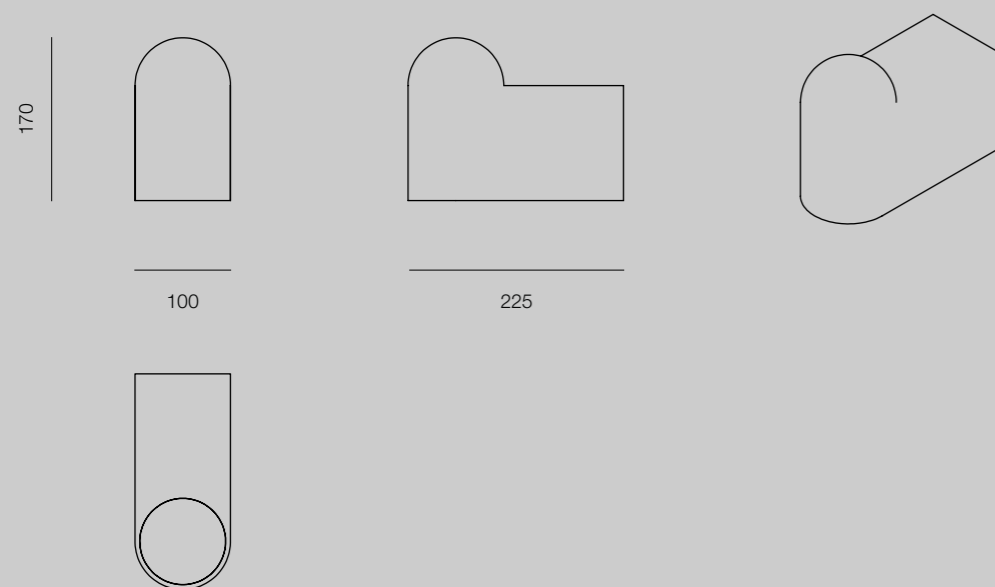
TEXTURED WHITE POWDERCOAT

DIMENSIONS

BELL CLASSIC



BELL LARGE



OPTIONS

- MODEL:
- CLASSIC
 - LARGE

- FINISH:
- CAST BRONZE TUMBLED
 - CAST BRONZE AGED
 - CAST ALUMINIUM TUMBLED
 - TEXTURED BLACK POWDERCOAT
 - TEXTURED WHITE POWDERCOAT

- PROTECTIVE COATING:
- CLEAR PROTECT*
 - NO COATING, NATURAL AGING
 - NONE (POWDERCOAT FINISH)

*Clear Protect lifespan may vary depending on the environment, and may require scheduled reapplication to maintain the coating, particularly for exterior use

DATA

RP-E-2311	BELL CLASSIC	BELL LARGE
LIGHTSOURCE	INTEGRATED LED (AC POWER) PHASE CUT/TRIAC DIMMING	
POWER	6W	
LUMENS (SOURCE)	550lm	
COLOUR TEMPERATURE	2700K	
CRI	CRI90	
PRIMARY VOLTAGE (TO FITTING)	220-240VAC OR 110VAC	
DRIVER LOCATION	INTEGRATED	
IP RATING	IP65	
L70	50,000 hours	
APPROVALS	AUSTRALIA, NEW ZEALAND, EUROPE, USA	

AFTR Studio

Led by designers Lisa and Luke Henderson, AFTR focusses on the intersection of art, design and lifestyle. Conceived in the US and launched in Australia, AFTR represents the global perspective and experienced architectural eye of its founders.

Embodying a long familial tradition of gifting handmade creations to friends and relatives, Luke and Lisa imagined AFTR to recreate the time when furniture and lifestyle objects were valued and passed down from generation to generation as heirlooms.

Each piece is meticulously designed and executed at the highest quality to ensure it stands the test of time.

