

# kreon aplis

kreon aplis directional is a fully recessed spotlight with a built-in snoot that serves two purposes. Firstly it absorbs stray flux, so aiding beam control, and secondly it provides an integrated mounting ring for the fixation of additional optical lenses for increased optimisation. kreon aplis directional has a rotational adjustment of 360° and an angular adjustment of 30°, which, when combined with the choice of spot, flood and wide flood TIR (total internal reflection) reflector, provides a truly versatile accent lighting tool.

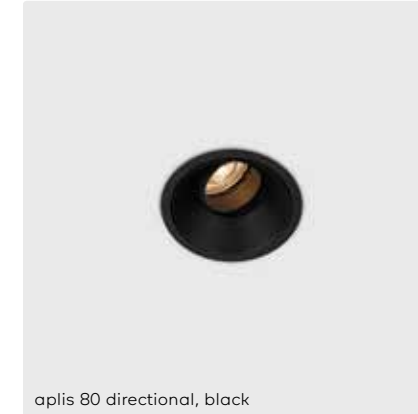
kreon aplis downlight is the perfect solution for general lighting and features a flood beam mirror reflector set above the black or white internal louvre, optimised to create pools of light on horizontal surfaces or dramatic scalloping effects on verticals.



kreon aplis wallwasher provides near perfect uniformity on vertical surfaces. This is made possible by the unique optical design that is capable of reflecting light to the very top of adjacent walls through a full 180° beam angle, whilst still maintaining an effective down light component.



aplis 40 downlight, white



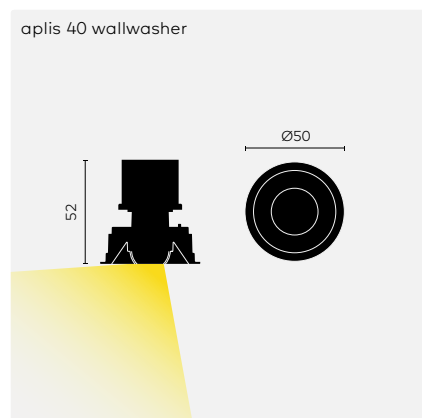
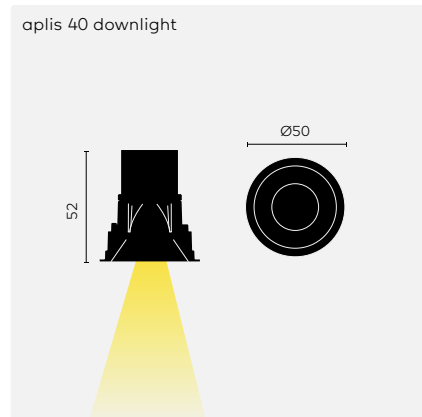
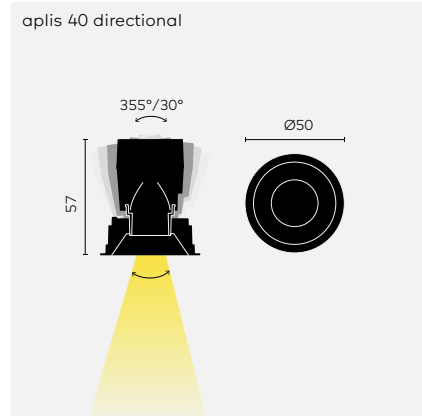
aplis 80 directional, black



aplis 120 directional, white



aplis 165 wallwasher, black



**aplis 40 directional**  
 ⌀ 45 H 80  
 Glare snoot: incl.

**aplis 40 downlight**  
 ⌀ 45 H 80

**aplis 40 wallwasher**  
 ⌀ 45 H 80

■ **Optional accessories**

Plasterkit concrete

**KR737602** Plasterkit for concrete installation

Louvre IP 44 (only for downlight) ①

**KR707301** Louvre IP 44, white

**KR707302** Louvre IP 44, black

Driver

**KR752730** LED driver, 700mA, ON/OFF, 3W ②

**KR752733** LED driver, 700mA, DALI, 10W

**KR772142** LED driver, 1050mA, 1-10V, 39W

**KR772443** LED driver, 1050mA, DALI, 15W

		CRI	CCT	Wattage	Drive current	Fixture lumen
①	LED	CRI80+	2700K/3000K	2W	700mA	152lm
				3,2W	1050mA	219lm
	CRI90+	2700K/3000K	2W	700mA	121lm	
			3,2W	1050mA	143lm	
②	LED	CRI80+	2700K/3000K	2W	700mA	172lm
				3,2W	1050mA	262lm
	CRI90+	2700K/3000K	2W	700mA	138lm	
			3,2W	1050mA	172lm	
③	LED	CRI80+	2700K/3000K	2W	700mA	77lm
				3,2W	1050mA	90lm
	CRI90+	2700K/3000K	2W	700mA	47lm	
			3,2W	1050mA	71lm	

**REMARKS**

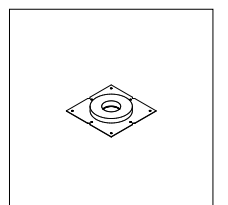
① IP 44 connection in plenum required.

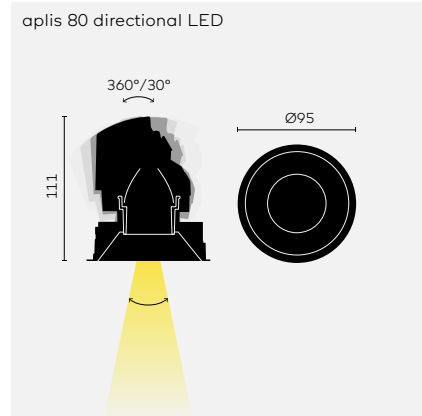
② Driver fits through the installation hole. Other types of dimmable drivers should be placed on remote.

③ Should be placed on remote

Thickness boardmaterial:  
 9-18mm  
 Gear excluded.  
 ⌀ IP40

Plasterkit concrete





	Colour	KR-code	Light sources	8327 2700K, CRI83	8330 3000K, CRI83	8340 4000K, CRI83	9027 2700K, CRI90	9030 3000K, CRI90	9040 4000K, CRI90	9827 2700K, CRI98	9830 3000K, CRI98	9840 4000K, CRI98	SP Spot (18°)	FL Flood (28°)	WFL Wide flood (48°)	Optional accessories
<b>aplis 80 directional LED</b> Ø 90 H 120 Filter holder: incl., glare snoot: incl.	○	<a href="#">KR937931</a>	①	●	●	●	●	●	●	●	●	●	●	●	●	■
	●	<a href="#">KR937932</a>	①	●	●	●	●	●	●	●	●	●	●	●	●	■
<b>aplis 80 directional LED MR16</b> Ø 90 H 110 Filter holder: incl., lamp: excl., glare snoot: incl.	○	<a href="#">KR937801</a>	②													■
	●	<a href="#">KR937802</a>	②													■
<b>aplis 80 directional LED PAR16</b> Ø 90 H 125 Filter holder: incl., lamp: excl., glare snoot: incl.	○	<a href="#">KR937841</a>	③													■
	●	<a href="#">KR937842</a>	③													■

### Optional accessories

Plasterkit concrete	<a href="#">KR737702</a>	Plasterkit for concrete installation
Lenses ①	<a href="#">KR704100</a>	Sculpture lens
	<a href="#">KR704200</a>	Diffusing lens
	<a href="#">KR704800</a>	Softening lens
	<a href="#">KR772342</a>	Anti-glare louvre
Driver	<a href="#">KR772034</a>	LED driver, 700mA, ON/OFF, 20W,
	<a href="#">KR772232</a>	LED driver, 700mA, 1-10V, 20W
	<a href="#">KR772236</a>	LED driver, 700mA, DALI, 18W
	<a href="#">KR772430</a>	LED driver, 700mA, phase dim, 25W
	<a href="#">KR772431</a>	LED driver, 700mA, phase dim, 14W

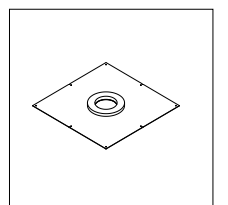
	CRI	CCT	Voltage	Wattage	Drive current	Fixture lumen
① LED	CRI83	2700K/3000K/4000K		15,6W	700mA	686lm
	CRI90	2700K/3000K/4000K		15,6W	700mA	686lm
	CRI98	2700K/3000K/4000K		15,2W	700mA	491lm
② LED MR16			12V	15W		
③ LED PAR16			230V	15W		

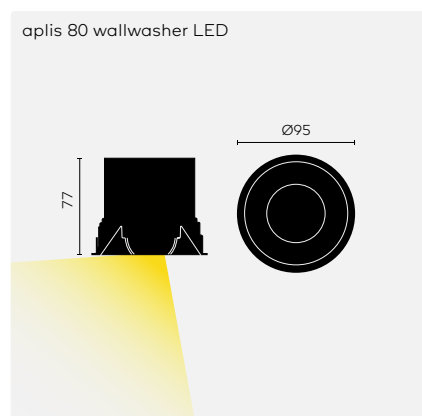
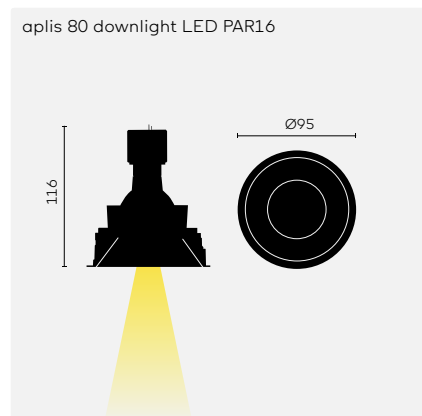
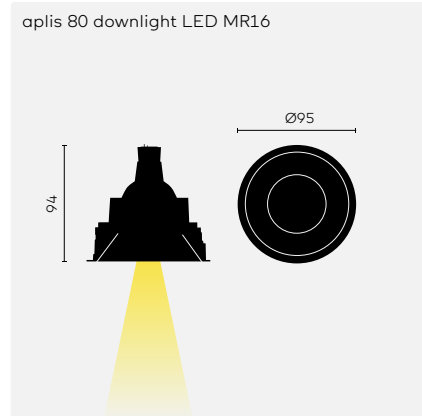
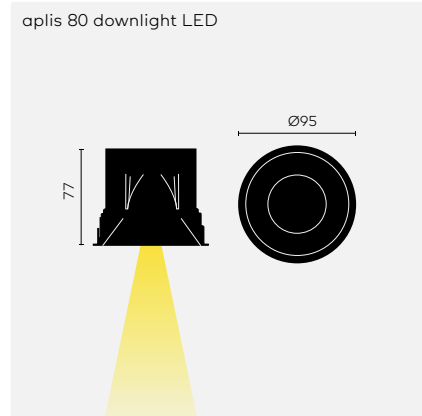
### REMARKS

① Only one optional lens or louvre possible.  
Use only in combination with spot optic.

Thickness boardmaterial:  
9-26mm  
Gear excluded.  
IP40

Plasterkit concrete





	Colour	KR-code	Light sources	8327 2700K, CR83	8330 3000K, CR83	8340 4000K, CR83	9027 2700K, CR90	9030 3000K, CR90	9040 4000K, CR90	9827 2700K, CR98	9830 3000K, CR98	9840 4000K, CR98	Optional accessories
<b>aplis 80 downlight LED</b> Ø 90 H 100 Wide flood reflector: incl.	○	<a href="#">KR937031</a>	①	●	●	●	●	●	●	●	●	●	■
	●	<a href="#">KR937032</a>	①	●	●	●	●	●	●	●	●	●	■
<b>aplis 80 downlight LED MR16</b> Ø 90 H 110 Lamp: excl.	○	<a href="#">KR937231</a>	②										■
	●	<a href="#">KR937232</a>	②										■
<b>aplis 80 downlight LED PAR16</b> Ø 90 H 130 Lamp: excl.	○	<a href="#">KR937251</a>	③										■
	●	<a href="#">KR937252</a>	③										■
<b>aplis 80 wallwasher LED</b> Ø 90 H 100 Wallwash reflector: incl.	○	<a href="#">KR937331</a>	④	●	●	●				●	●	●	■
	●	<a href="#">KR937332</a>	④	●	●	●				●	●	●	■

#### Optional accessories

Plasterkit concrete	<a href="#">KR737702</a>	Plasterkit for concrete installation
Louvre IP 44 (only for downlight) ①	<a href="#">KR717306</a>	Louvre IP 44, white
	<a href="#">KR717302</a>	Louvre IP 44, black
Driver	<a href="#">KR772024</a>	LED driver, 500mA, ON/OFF, 20W
	<a href="#">KR772220</a>	LED driver, 500mA, 1-10V, 20W
	<a href="#">KR772126</a>	LED driver, 500mA, DALI, 18W
	<a href="#">KR772432</a>	LED driver, 500mA, phase dim, 15W
	<a href="#">KR772034</a>	LED driver, 700mA, ON/OFF, 20W,
	<a href="#">KR772232</a>	LED driver, 700mA, 1-10V, 20W
	<a href="#">KR772236</a>	LED driver, 700mA, DALI, 18W
	<a href="#">KR772430</a>	LED driver, 700mA, phase dim, 25W
	<a href="#">KR772431</a>	LED driver, 700mA, phase dim, 14W

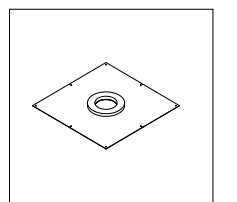
	CRI	CCT	Voltage	Wattage	Drive current	Fixture lumen
① LED	CRI83	2700K/3000K/4000K		9,5W	700mA	985lm
	CRI90	2700K/3000K/4000K		11,4W	700mA	985lm
	CRI98	2700K/3000K/4000K		9,2W	500mA	731lm
② LED MR16			12V	15W		
③ LED PAR16			230V	15W		
④ LED	CRI83	2700K/3000K/4000K		9,5W	700mA	509lm
	CRI90	2700K/3000K/4000K		11,4W	700mA	509lm
	CRI98	2700K/3000K/4000K		9,2W	500mA	378lm

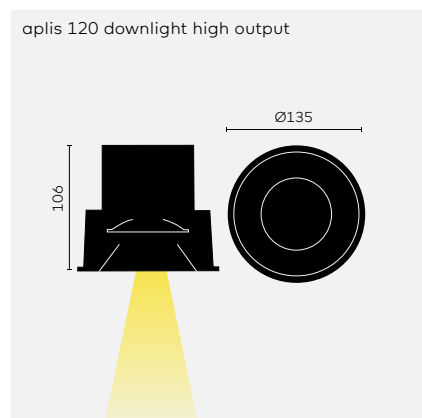
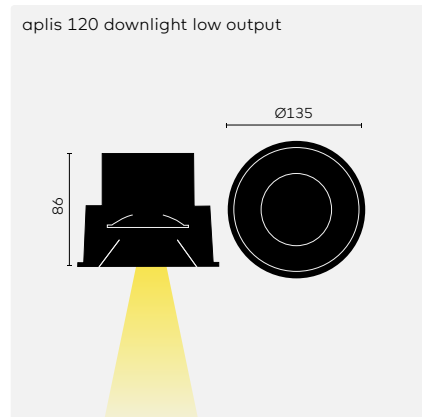
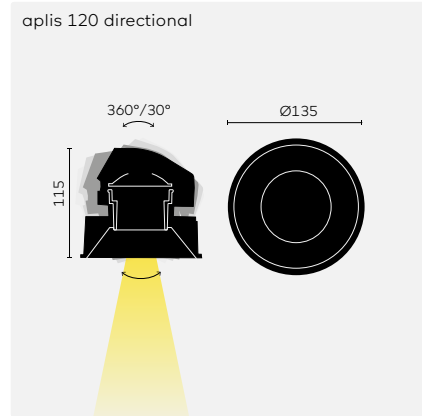
#### REMARKS

① IP 44 connection in plenum required.

Thickness boardmaterial:  
9-26mm  
Gear excluded.  
IP40

Plasterkit concrete





	Colour	KR-code	Light sources	8327 2700K, CR83	8330 3000K, CR83	8340 4000K, CR83	9027 2700K, CR90	9030 3000K, CR90	9040 4000K, CR90	9827 2700K, CR98	9830 3000K, CR98	9840 4000K, CR98	SP Spot (12°)	FL Flood (28°)	WFL Wide flood (34°)	Optional accessories
<b>aplis 120 directional</b> Ø 128 H 140 Filter holder: incl., glare snoot: incl.	○	<a href="#">KR957931</a>	①	●	●	●	●	●	●	●	●	●	●	●	●	■
	●	<a href="#">KR957932</a>	①	●	●	●	●	●	●	●	●	●	●	●	●	■
<b>aplis 120 downlight low output</b> Ø 128 H 110	○	<a href="#">KR957231</a>	②	●	●	●	●	●	●	●	●	●	●	●	●	■
	●	<a href="#">KR957232</a>	②	●	●	●	●	●	●	●	●	●	●	●	●	■
<b>aplis 120 downlight high output</b> Ø 128 H 130	○	<a href="#">KR957241</a>	③	●	●	●	●	●	●	●	●	●	●	●	●	■
	●	<a href="#">KR957242</a>	③	●	●	●	●	●	●	●	●	●	●	●	●	■

### Optional accessories

Plasterkit concrete	<a href="#">KR737612</a>	Plasterkit for concrete installation
Louvre IP 44 (only for downlight) ①	<a href="#">KR707406</a>	Louvre IP 44, white
	<a href="#">KR707402</a>	Louvre IP 44, black
Lenses (only for directional) ②	<a href="#">KR750100</a>	Sculpture lens
	<a href="#">KR750200</a>	Diffusing lens
	<a href="#">KR750800</a>	Softening lens
Driver	<a href="#">KR772034</a>	LED driver, 700mA, ON/OFF, 20W
	<a href="#">KR772232</a>	LED driver, 700mA, 1-10V, 20W
	<a href="#">KR772236</a>	LED driver, 700mA, DALI, 18W
	<a href="#">KR772430</a>	LED driver, 700mA, phase dim, 25W
	<a href="#">KR772140</a>	LED driver, 1050mA, ON/OFF, 36W
	<a href="#">KR772142</a>	LED driver, 1050mA, 1-10V, 39W
	<a href="#">KR772143</a>	LED driver, 1050mA, DALI, 35W

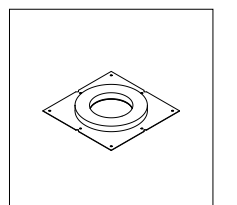
		CRI	CCT	Wattage	Drive current	Fixture lumen	
①	LED	SP	CR183	2700K/3000K/4000K	15,6W	700mA	1274lm
			CR190	2700K/3000K/4000K	15,6W	700mA	800lm
			CR198	2700K/3000K/4000K	15,2W	700mA	573lm
	FL&WFL	CR183	2700K/3000K/4000K	15,2W	700mA	1021lm	
		CR190	2700K/3000K/4000K	17,1W	700mA	987lm	
		CR198	2700K/3000K/4000K	12,9W	700mA	691lm	
②	LED	SP	CR183	2700K/3000K/4000K	15,6W	700mA	1114lm
			CR190	2700K/3000K/4000K	15,6W	700mA	1004lm
			CR198	2700K/3000K/4000K	15,2W	700mA	839lm
	FL&WFL	CR183	2700K/3000K/4000K	15,2W	700mA	1666lm	
		CR190	2700K/3000K/4000K	17,1W	700mA	1609lm	
		CR198	2700K/3000K/4000K	12,9W	700mA	1127lm	
③	LED	CR183	2700K/3000K/4000K	25,6W	1050mA	2610lm	
		CR190	2700K/3000K/4000K	25,7W	1050mA	2430lm	
		CR198	2700K/3000K/4000K	20W	1050mA	1605lm	

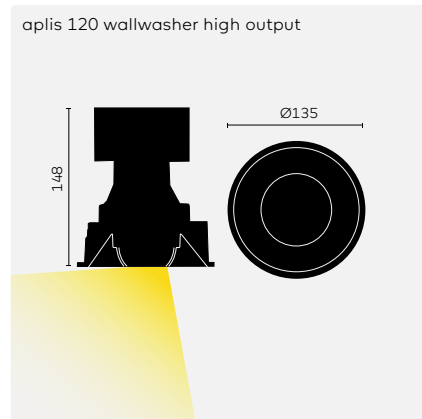
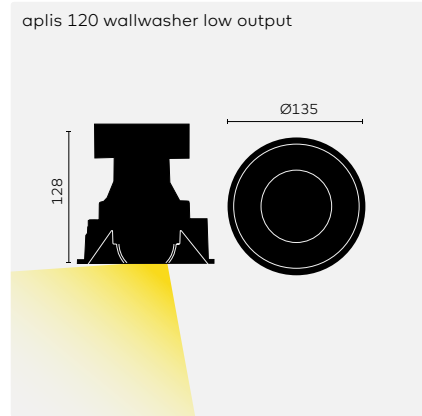
### REMARKS

- ① IP 44 connection in plenum required.
- ② Only one optional lens or louvre possible.  
Use only in combination with spot optic.

Thickness boardmaterial:  
9-26mm  
Gear excluded  
⊗ IP40

Plasterkit concrete





**aplis 120 wallwasher low output**  
 ⌀ 128 H 150  
 Wallwash reflector: incl.

**aplis 120 wallwasher high output**  
 ⌀ 128 H 170  
 Wallwash reflector: incl.

■ **Optional accessories**

Plasterkit concrete

Driver

Colour	KR-code	Light sources	8327 2700K, CR83	8330 3000K, CR83	8340 4000K, CR83	9027 2700K, CR90	9030 3000K, CR90	9040 4000K, CR90	9827 2700K, CR98	9830 3000K, CR98	9840 4000K, CR98	Optional accessories
○	<u>KR957531</u>	①	●	●	●	●	●	●	●	●	●	■
●	<u>KR957532</u>	①	●	●	●	●	●	●	●	●	●	■
○	<u>KR957541</u>	②	●	●	●	●	●	●	●	●	●	■
●	<u>KR957542</u>	②	●	●	●	●	●	●	●	●	●	■
	<u>KR737612</u>	Plasterkit for concrete installation										
	<u>KR772034</u>	LED driver, 700mA, ON/OFF, 20W										
	<u>KR772232</u>	LED driver, 700mA, 1-10V, 20W										
	<u>KR772236</u>	LED driver, 700mA, DALI, 18W										
	<u>KR772430</u>	LED driver, 700mA, phase dim, 25W										
	<u>KR772140</u>	LED driver, 1050mA, ON/OFF, 36W										
	<u>KR772142</u>	LED driver, 1050mA, 1-10V, 39W										
	<u>KR772143</u>	LED driver, 1050mA, DALI, 35W										

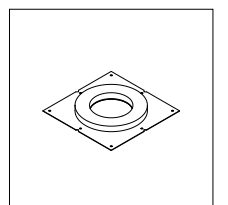
		CRI	CCT	Wattage	Drive current	Fixture lumen
①	LED	CR183	2700K/3000K/4000K	15,2W	700mA	937lm
		CR190	2700K/3000K/4000K	17,1W	700mA	906lm
		CR198	2700K/3000K/4000K	12,9W	700mA	633lm
②	LED	CR183	2700K/3000K/4000K	25,6W	1050mA	1385lm
		CR190	2700K/3000K/4000K	25,7W	1050mA	1275lm
		CR198	2700K/3000K/4000K	20W	1050mA	840lm

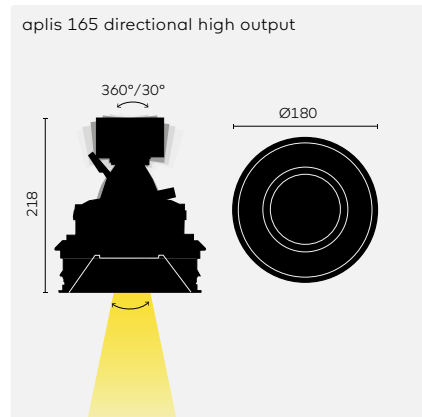
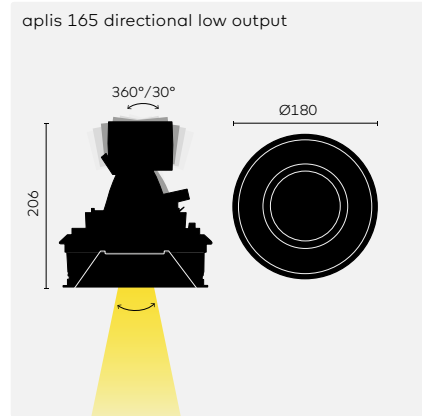
**REMARKS**

- ① IP 44 connection in plenum required.
- ② Use only in combination with spot optic.

Thickness boardmaterial:  
 9-26mm  
 Gear excluded  
 ⌀ IP40

Plasterkit concrete





**aplis 165 directional low output**  
 ⌀ 175 H 230  
 Filter holder: incl., glare snoot: incl.

**aplis 165 directional high output**  
 ⌀ 175 H 250  
 Filter holder: incl., glare snoot: incl.

■ Required accessories

Reflector

<b>KR720032</b>	Reflector LED, spot 13°
<b>KR720034</b>	Reflector LED, flood 23°
<b>KR720036</b>	Reflector LED, wide flood 40°

■ Optional accessories

Plasterkit concrete

<b>KR737712</b>	Plasterkit for concrete installation
-----------------	--------------------------------------

Lenses ①

<b>KR720100</b>	Sculpture lens
<b>KR720200</b>	Diffusing lens
<b>KR720800</b>	Softening lens

Driver

<b>KR772024</b>	LED driver, 500mA, ON/OFF, 20W
<b>KR772220</b>	LED driver, 500mA, 1-10V, 20W
<b>KR772126</b>	LED driver, 500mA, DALI, 18W
<b>KR772034</b>	LED driver, 700mA, ON/OFF, 20W
<b>KR772232</b>	LED driver, 700mA, 1-10V, 20W
<b>KR772236</b>	LED driver, 700mA, DALI, 18W
<b>KR772140</b>	LED driver, 1050mA, ON/OFF, 36W
<b>KR772142</b>	LED driver, 1050mA, 1-10V, 39W
<b>KR772143</b>	LED driver, 1050mA, DALI, 35W

Colour	KR-code	Light sources	8327 2700K, CR83	8330 3000K, CR83	8340 4000K, CR83	9027 2700K, CR90	9030 3000K, CR90	9040 4000K, CR90	9827 2700K, CR98	9830 3000K, CR98	9840 4000K, CR98	Required accessories	Optional accessories
○	<b>KR937831</b>	①	●	●	●	●	●	●	●	●	●	■	■
●	<b>KR937832</b>	①	●	●	●	●	●	●	●	●	●	■	■
○	<b>KR937341</b>	②	●	●	●	●	●	●	●	●	●	■	■
●	<b>KR937342</b>	②	●	●	●	●	●	●	●	●	●	■	■

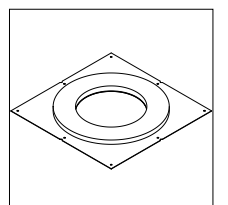
	CRI	CCT	Wattage	Drive current	Fixture lumen
① LED	CR183	2700K/3000K/4000K	15,2W	700mA	1250lm
	CR190	2700K/3000K/4000K	16,5W	700mA	1250lm
	CR198	2700K/3000K/4000K	13,9W	500mA	988lm
② LED	CR183	2700K/3000K/4000K	25,7W	1050mA	1874lm
	CR190	2700K/3000K/4000K	25,7W	1050mA	1874lm
	CR198	2700K/3000K/4000K	20W	1050mA	1249lm

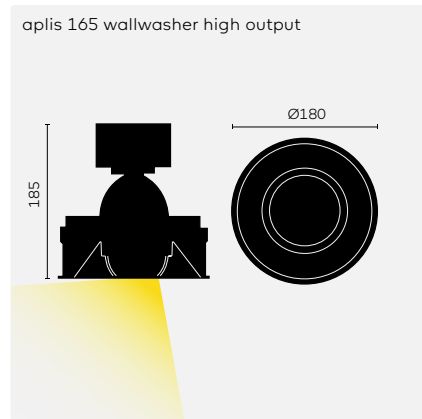
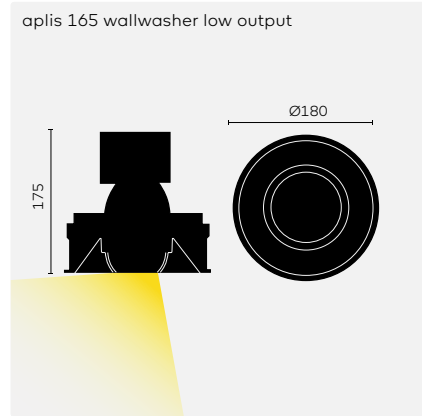
**REMARKS**

① Only one optional lens or louvre possible.  
 Use only in combination with spot optic.

Thickness boardmaterial:  
 9-26mm  
 Gear excluded.  
 ⌀ IP40

Plasterkit concrete





**aplis 165 wallwasher low output**  
 ⌀ 175 H 200

**aplis 165 wallwasher high output**  
 ⌀ 175 H 210

■ **Optional accessories**

Plasterkit concrete

Driver

Colour	KR-code	Light sources	8327 2700K, CR83	8330 3000K, CR83	8340 4000K, CR83	9827 2700K, CR98	9830 3000K, CR98	9840 4000K, CR98	Optional accessories
--------	---------	---------------	---------------------	---------------------	---------------------	---------------------	---------------------	---------------------	----------------------

○	<a href="#">KR937431</a>	①	●	●	●	●	●	●	■
●	<a href="#">KR937432</a>	①	●	●	●	●	●	●	■
○	<a href="#">KR937441</a>	②	●	●	●	●	●	●	■
●	<a href="#">KR937442</a>	②	●	●	●	●	●	●	■

[KR737712](#) Plasterkit for concrete installation

[KR772024](#) LED driver, 500mA, ON/OFF, 20W

[KR772220](#) LED driver, 500mA, 1-10V, 20W

[KR772126](#) LED driver, 500mA, DALI, 18W

[KR772034](#) LED driver, 700mA, ON/OFF, 20W

[KR772232](#) LED driver, 700mA, 1-10V, 20W

[KR772236](#) LED driver, 700mA, DALI, 18W

[KR772140](#) LED driver, 1050mA, ON/OFF, 36W

[KR772142](#) LED driver, 1050mA, 1-10V, 39W

[KR772143](#) LED driver, 1050mA, DALI, 35W

	CRI	CCT	Wattage	Drive current	Fixture lumen
① LED	CR183	2700K/3000K/4000K	15,2W	700mA	756lm
	CR190	2700K/3000K/4000K	16,5W	700mA	756lm
	CR198	2700K/3000K/4000K	13,9W	500mA	597lm
② LED	CR183	2700K/3000K/4000K	25,7W	1050mA	1161lm
	CR190	2700K/3000K/4000K	25,7W	1050mA	1161lm
	CR198	2700K/3000K/4000K	20W	1050mA	774lm

**REMARKS**

Thickness boardmaterial:  
 9-26mm  
 Gear excluded.  
 ⌀ IP40

Plasterkit concrete

