

1

Before commencing work, isolate the mains power supply and remove the fuse in the fuse box or switch off the circuit breaker in the consumer unit.



CAUTION: Verify power is OFF to switch before proceeding.

2

If unit is to be used as a replacement for an existing product, remove existing unit from its location and disconnect the wiring.

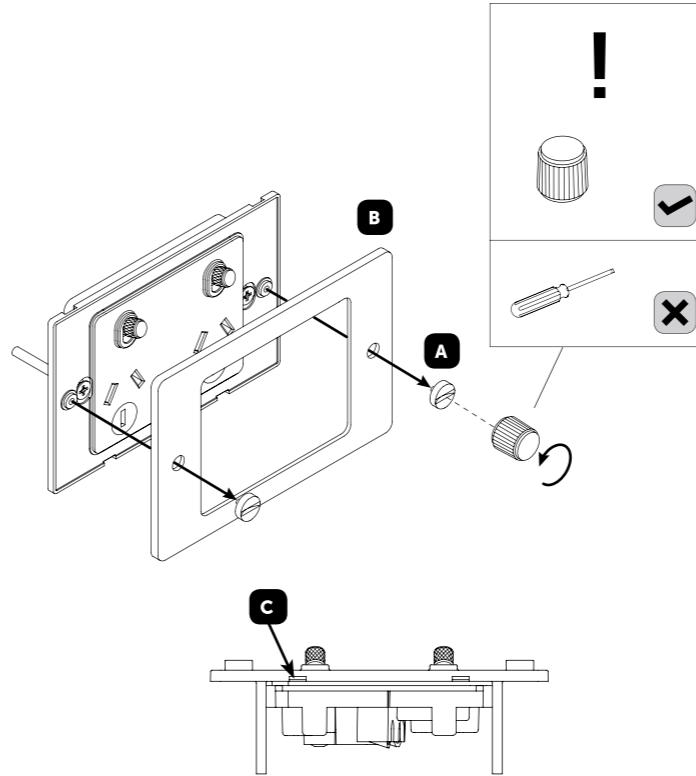
5

Turn power back on.



3

Please note that the minimum recommended depth for the mounting box is 45mm. Remove decorative coin caps (A) Using coin cap tool and remove face plate (B) using small screw driver to release the face plates clips on the bottom surface (C).

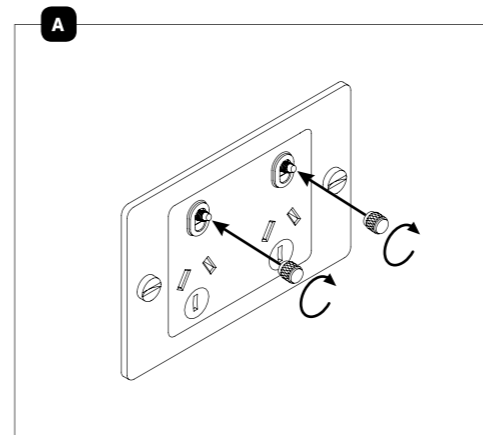


6

BLING YOUR SOCKET

A) By hand, screw the toggle switch clockwise onto the toggle module. Please ensure that the toggle switch is fully tightened to the toggle module. To remove toggle switch, simply reverse this step.

B) By hand, screw the coin caps into the socket plate. Use the plastic coin cap tool to fully tighten the coin caps. To remove the coin caps, simply reverse this step.

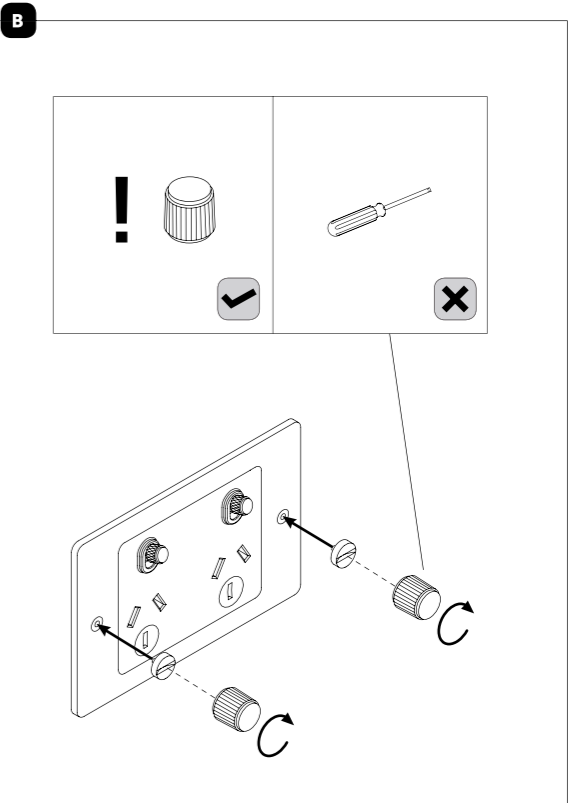
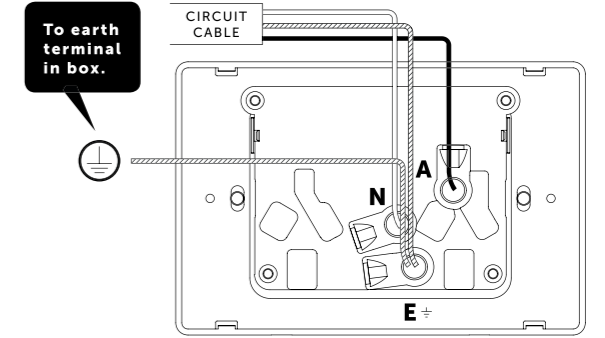


4

2 GANG 13A D.P. SWITCHED SOCKET

Connect the wires as shown in appropriate wiring diagram below. Use green/yellow sleeving on earth conductors that are not insulated. Ensure terminals are properly tightened and no bare wire is visible. Push back unit into moulding box making sure conductors are not trapped.

	Active / Live (Red or brown)
	Neutral (Black or blue)
	Earth (Green or yellow)



EN

TECHNICAL SPECIFICATION

13A DP SWITCHED SOCKET.
RATED AT 13A 250V~

IMPORTANT NOTES

PLEASE READ BEFORE INSTALLING

- All wiring and installation must adhere to the latest local and national wiring rules - e.g. AS/NZS 3000 in Australia & New Zealand.
- Must be installed by a licensed electrician.
- Do not exceed the rated power input specification.
- This product is suitable for indoor use only.
- To reduce the risk of discolouration or tarnishing, avoid installation on wet plaster.



WARNING: The two mounting screws on the faceplate must be well tightened to maintain the earthing continuity. Check their earthing continuity by multimeter before screw on the decorative cap. The resistance between the two mounting screws must not exceed 0.1 Ω.

WARRANTY INFORMATION

The Warranty Period of Two (2) years from the date of the original purchase.

RECYCLING ELECTRICAL PRODUCTS

Buster and Punch encourages all its customers to make note of this symbol and avoid putting any waste electrical goods in your domestic waste bin or container. Please ensure you take your waste electrical goods to a suitable facility for disposal.

