

**Bronco 260P-HL Floor Removal Machine  
With Hydraulic Lift  
Owners Manual**

# TABLE OF CONTENTS

Safety Alert and Notations

Safety Precautions

Maintenance & Storage

Operation

Parts, Diagrams

Specifications

Trouble Shooting

Warranty

## A MESSAGE TO OUR TAYLOR TOOLS CUSTOMERS...

You have purchased the best floor removal machine available. This machine was invented by Mr. Donald Pope. Mr. Pope developed this machine over a 5 year period to improve floor removal rates for his business in Ocilla Georgia. Donald has joined forces with Taylor Tools to assist us in bringing you this remarkable floor removal machine.

The care you give to your Bronco Stripper will determine the satisfaction and service life you will obtain from it. Use this manual as your guide. By observing the instructions for operation and safety the Bronco will give you years of service.

If factory service is required please call Taylor Tools at 303-371-7667 for a service center near you.

**Note:** The descriptions and specifications contained in this manual were in effect at the time the manual was approved for printing. Taylor Tools. Reserves the right to modify or discontinue models without notice and without incurring obligation.

**Warranty:** The warranty will be valid only if the machine is maintained and operated as directed in this manual.

# Safety Alert Symbol and Notations

## **READ AND UNDERSTAND THIS IMPORTANT SAFETY INFORMATION BEFORE OPERATING THIS MACHINE!**



The following safety notations are used throughout this manual to call attention to special information or operating procedures. Understand the message in each notation and be alert to unsafe conditions and the possibility of personal injury.

**Note:** A NOTE points out general reference information regarding proper operation and maintenance practices.

**Important:** An IMPORTANT statement indicates specific procedures or information that is required to prevent damage to the machine, it's attachments or property.

This safety alert symbol is used to attract your attention as **PERSONAL SAFETY IS INVOLVED!** When you see this symbol **BECOME ALERT, HEED IT'S MESSAGE.**

**DANGER:** Indicates an imminently hazardous situation which, if not avoided, will result in death or serious injury.

**WARNING:** Indicates a potentially hazardous situation which, if not avoided, could result in death or serious injury.

**CAUTION:** Indicates a potentially hazardous situation which, if not avoided, may result in minor or moderate injury. It is also used to alert against unsafe practices.

---

## **Specifications**

Length: 48" - 54"

Width : 29"

Height to top of seat: 48"

Gross Weight: 1240 lbs.

Net Weight without weights: 688 lbs.

Electric Motor: 7-1/2 hp, 220 volts,

single phase, rpm 3450

Propane Motor: 17 hp Kawasaki

Tire Specification: 10.5"x 6"x 5" Super

Solid non-marking

Top speed: 500 feet per minute

Specification are approximate and subject to change without notice

# SAFETY PRECAUTIONS

Improper use of this machine can injure people and damage the equipment. People using or servicing this machine must read and follow the instructions in this manual.

**IT IS IMPORTANT TO UNDERSTAND THAT THIS MANUAL AND MACHINE LABELING DO NOT COVER EVERY POSSIBLE DANGER. IT IS IMPOSSIBLE FOR TAYLOR TOOLS TO KNOW OF ALL POSSIBLE DANGERS IN OPERATING AND SERVICING THE BRONCO STRIPPER.**

THE PURCHASER MUST GIVE THESE INSTRUCTIONS TO ALL PEOPLE INVOLVED WITH OPERATING, ASSISTING IN THE WORK AREA, AND MAINTAINING THIS MACHINE.

## **Training:**

Read and understand this manual before operating the machine.

Learn how to use the controls for steering, moving and **stopping** in an open area unobstructed by people and objects.

Before operating the machine and removing flooring learn and understand all machine labeling for **DANGER, WARNING, CAUTION**, and **OPERATING INSTRUCTIONS**.

**NEVER PERMIT CHILDREN TO OPERATE OR BE IN THE IMMEDIATE AREA WHEN THE MACHINE IS IN OPERATION. DO NOT ALLOW ADULTS TO OPERATE THE MACHINE WITHOUT PROPER INSTRUCTION.**

Safe operation of this equipment requires your complete and unimpaired attention at all times. Do not operate unit after or during the consumption of drugs or alcohol. Keep all people and animals away from the operating area.

## **Transportation:**

When hauling the machine, always use a ramp that is rated for the weight of the machine. Never secure the machine by the control levers, or like items that could be damaged. Secure the machine by main body with tie downs that are rated for the weight of the machine.

## **Preperation:**

Inspect the job site before floor removal. Identify low spots, uneven surfaces, expansion joint locations, obstacles in the floor and hazardous conditions.

**Before starting the machine check oil level and fill if necessary, check air filters and clean/replace as needed.**

## **Electric Machines:**

When operating the machine at the job site have a qualified electrician inspect the power source for proper rating of the overload breaker. If a power source has to be brought from a sub-panel always have a qualified electrician preform the work. A **Ground Fault Interrupter (GFI)** should be used. The proper location for the GFI is at the source of the power, i.e. plug the GFI into the power source and then plug the machine's extension cord into the GFI.

Before connecting the machine to the GFI protected electrical supply, inspect the cord and the cord connections for damage, and replace and or repair any damaged electrical components before connecting the machine to the power supply.

## **Propane Machines**

Even though there is an catalytic exhaust scrubber on the machine, the engine will produce carbon monoxide. To ensure that no one is over exposed to the exhaust gases you must provide adequate ventilation. A carbon monoxide monitor is supplied by Taylor Tools and should be used during operation to ensure proper ventalation.

## Maintenance:

Keep the machine in good condition. Maintain it as directed in this manual and the motor manual for propane machines. Check fasteners and hydraulic hose connections at the end of each day of operation. Check the oil level and fill if necessary. Tighten and repair as necessary. Before doing any maintenance, turn machine off and disconnect from power supply.

## Hood Opening Procedure

1. You will need a 3/4" wrench.
2. Shut machine off / unplug electric machine.



3. Remove blade clamp to allow the hood to open fully.



4. Remove hand fastener on fan cover box and lift the box assembly up and out, being careful not to damage the electrical connection to the fan.



5. While holding the fan box assembly, release the connector clip to disconnect the electrical wiring from the box assembly.



6. Remove the six (6) 5/16" bolts that secure the control levers to the machine.



7. Under the rear portion of the seat, you will find a metal cross member that joins each side of the machine's weights. Completely remove this cross member by removing the two (2) 1/2" bolts.



8. Locate the two clips (one on each side) on the back side of the frame adjacent to the propane regulator and release them.



9. The hood is now ready to be tilted forward. Allow the control levers to rest fully forward, with one hand guide the levers through the opening being careful not to damage the electrical wiring, while with the other hand lift the hood forward by the back of the seat. The hood will rest in the fully open position and allow access to the components inside the machine.



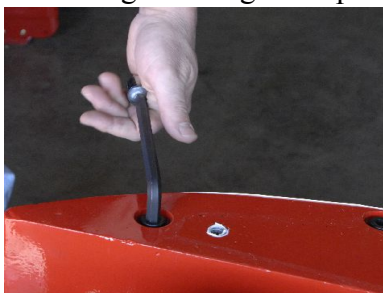
### Weight Removal:

It may be necessary to remove the side weights to perform routine maintenance. On propane powered machines-Oil changes and belt tightening. On electrical machines- belt tightening.

1. Open the hood per the hood opening procedure.
2. Remove the tie-down brackets, one on each side.



3. Now use the allen wrench to remove the socket head bolts holding the weights in place.



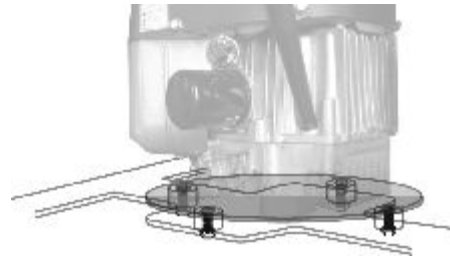
4. CAUTION: use proper lifting techniques. These weights are heavy (45 to 75 lbs.) and should only be lifted by a person that can safely lift this much weight.

### Drive Belt Tightening:

It may be necessary to tighten the drive belt. If when removing flooring the belt slips it will require tightening.

To tighten the drive belt:

1. Open the hood per the hood opening procedure.
2. Remove the side weights per the weight removal procedure.
3. Loosen the four bolts that secure the motor to the frame.



4. Use a ratchet tie down strap around the motor and the oil tank to apply tension on the belt.



5. Do not over-tighten the drive belt, an over tightened drive belt may cause premature failure of the motor and pump bearings.
6. The belt should be tighen just enough to stop belt slippage when removing flooring.
7. Tighten the four bolts and replace weights and secure hood.

**Important:**

Before starting the machine make sure that the area is clear from obstacles and people.

Do not let people other than the operator, and support personnel near the equipment including the work area under demolition.

Operate the machine only on safe surfaces.

Look for and keep away from hazards such as drop-offs.

Look behind when operating in reverse. Look for people and hazards.

Operate the machine from the operator seat only. The operator is the only person that should start the machine.

Do not operate on steep slopes.

Go slow on slick surfaces. Always keep a firm grip on the controls.

Before leaving the operator seat;  
Make sure controls are in the neutral position.  
Turn the motor off, and let it come to a complete stop.

Before attempting to maintain, adjust or service the machine, put the controls in neutral, turn the motor off, let it come to a complete stop, and disconnect the machine from the electric power supply.

**Propane Machines, Filter Maintenance;**  
Air Intake on front of machine. remove filter and knock off or blow out debris several times during the day when environment is dusty. It may be advisable to purchase additional filter elements in order to have a properly cleaned filter element available on the job site (order part # 260P.60.02.KIT).

Check the condition of the carburetor air filter prior to operation each day that the machine is in use and replace when necessary (order part # 260P.04.35 and pre filter #260P.04.35A).

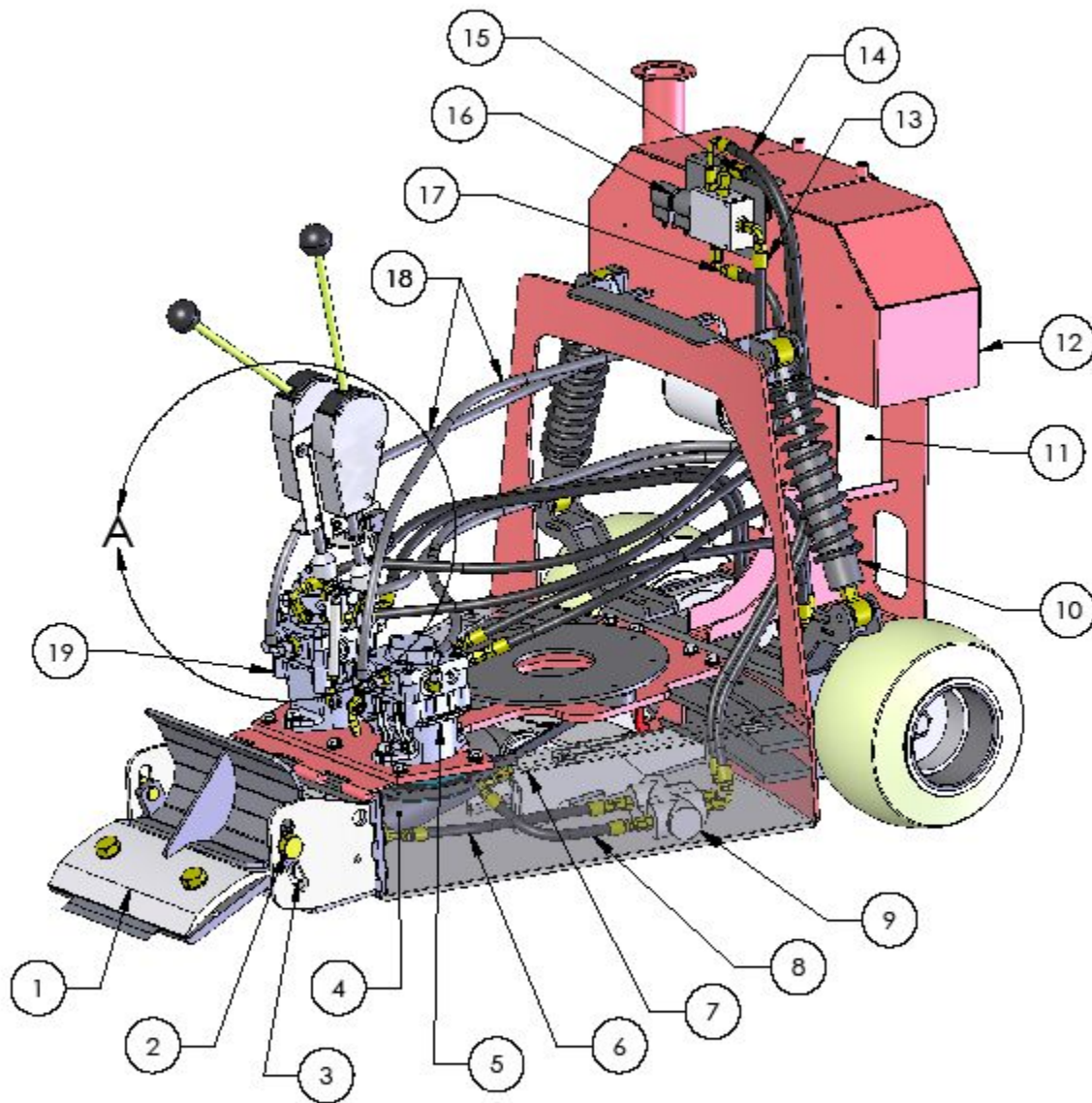
Use only Taylor Tools accessories, attachments, and replacement parts. Use of other components may void warranty.

**Storage:**

If the machine is to be stored for an extended period of time check for oil leaks and repair as necessary before storage. Remove the transportation wheel and lower the blade holder on the floor. Store the electrical cord on a cord reel or in a protective container to avoid incidental damage. Make sure machine is on level ground and protect the machine from the outdoor elements such as rain and direct sunlight.

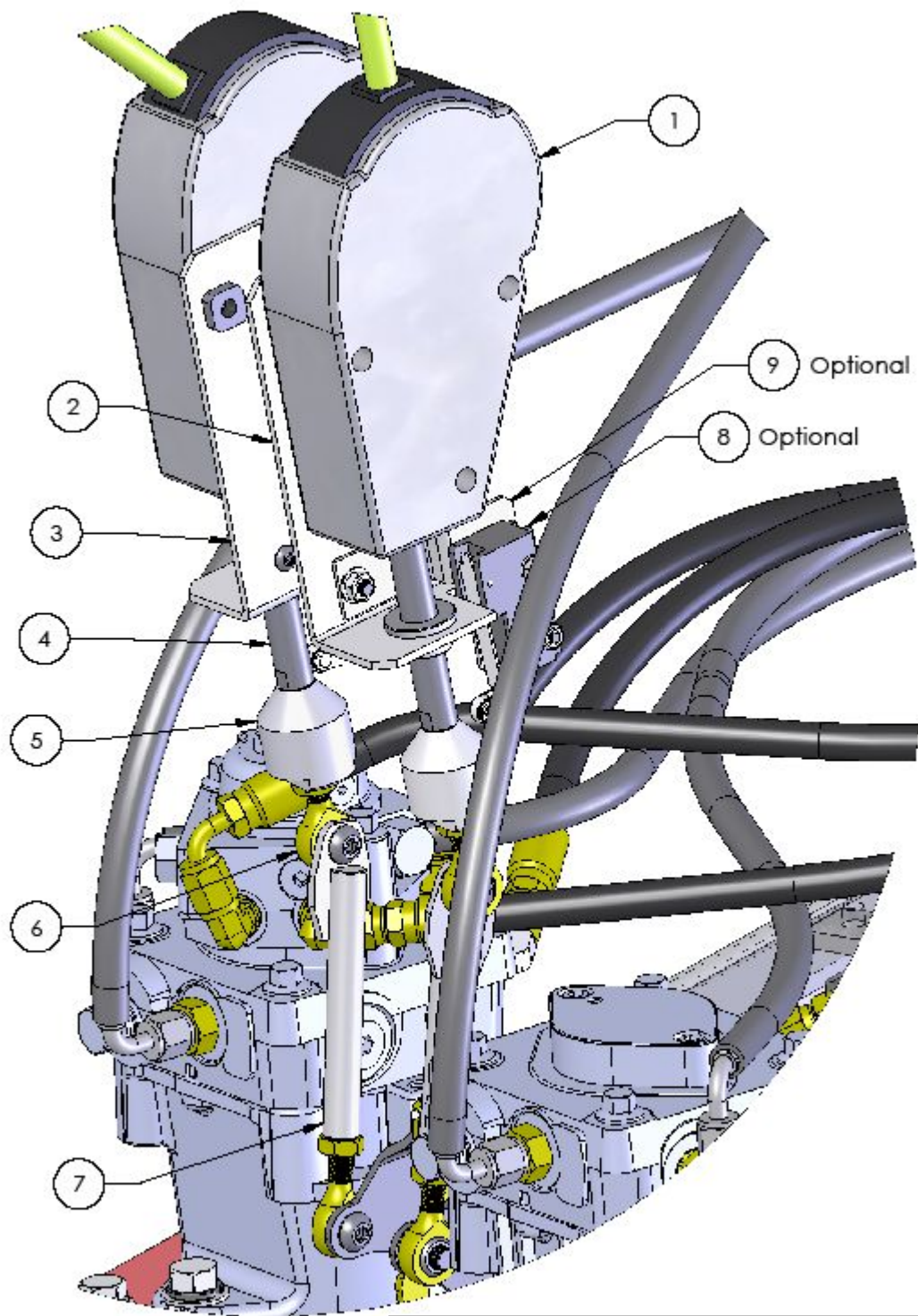
**Cleaning:**

It is important that when removing carpeting to be careful not to let carpet yarn collect on the rear wheel axle. If yarn builds up on the axle it will fail the seal. When removing carpet keep yarn scraps away from the rotating wheel. After carpet removal check both rear axles for yarn build up and remove as necessary.

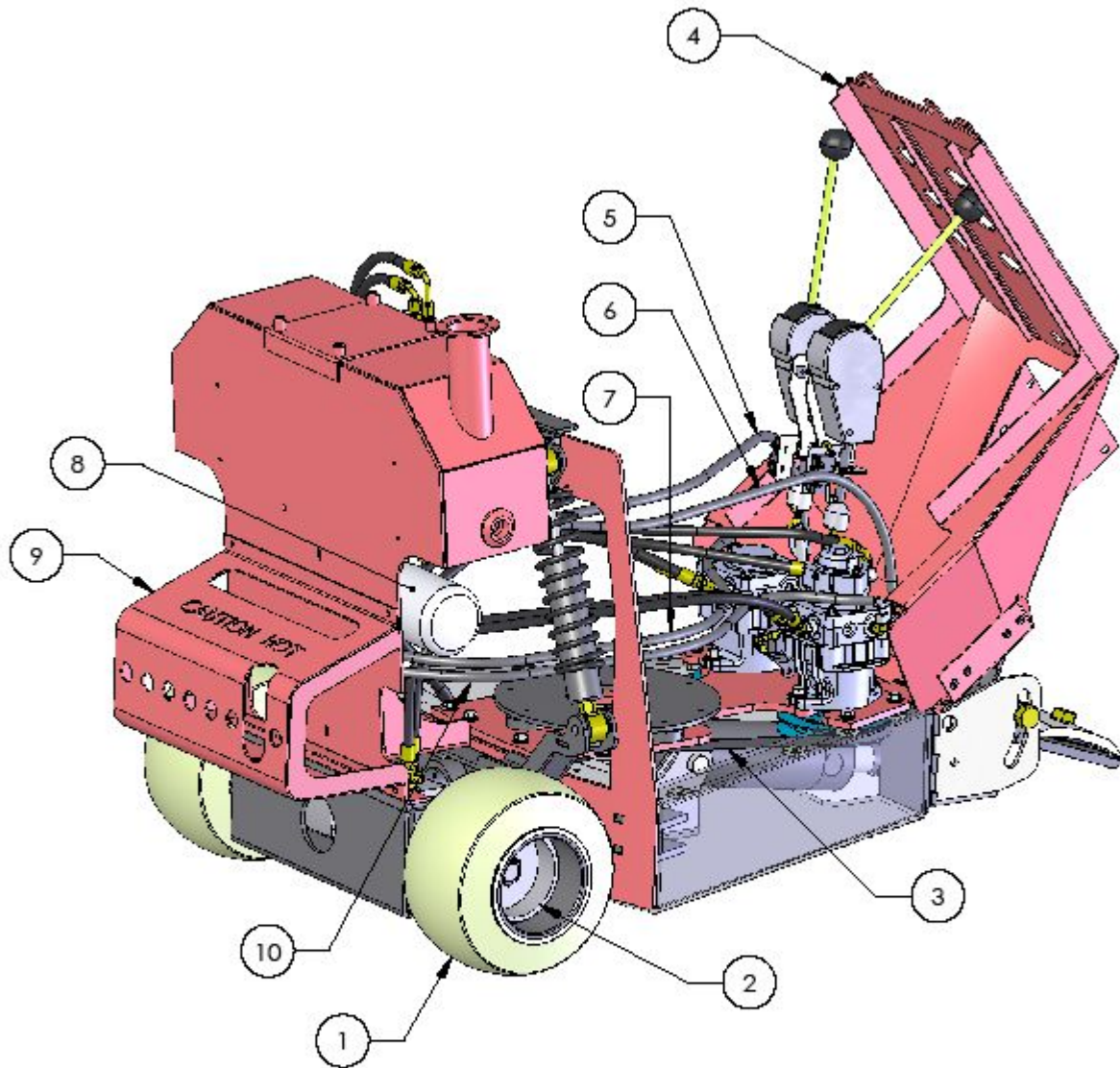


Key	Catalog #	Description
1	260.40.40	Blade Clamp W/ Deflector
2	260.40.11.KIT	Fastner Kit, Blade Clamp
3	260P.41.08.KIT	Clevis Pin Front, WWashers, Keys
4	260P.41.02.KIT	Cylinder, Blade Holder
5	260B.15.19	Pump Port, Auto Return
6	260P.41.21	Hose, Cylinder, Front to Valve
7	260P.41.09.KIT	Clevis Pin Rear, WWashers, Keys
8	260P.41.20	Hose, Cylinder, Rear to Valve
9	260P.41.07	Check Valve
10	260.40.50	Shock Absorber
11	260P.75.00	Battery 12 Volts
12	260P.70.05	Oil Tank
13	260P.41.23	Hose, Pump to Valve B
14	260P.41.24	Hose, Valve D to Lock Valve, Rear
15	260P.41.22	Hose, Valve C to Lock Valve, Front
16	260B.40.53	Coil, 12 Volt
17	260P.41.25	Hose, Pump to Valve A
18	260.15.57.KIT	Feed Hose W/Fittings
19	260B.15.20.AUX	Pump, Starboard, W/Auxiliary Pump

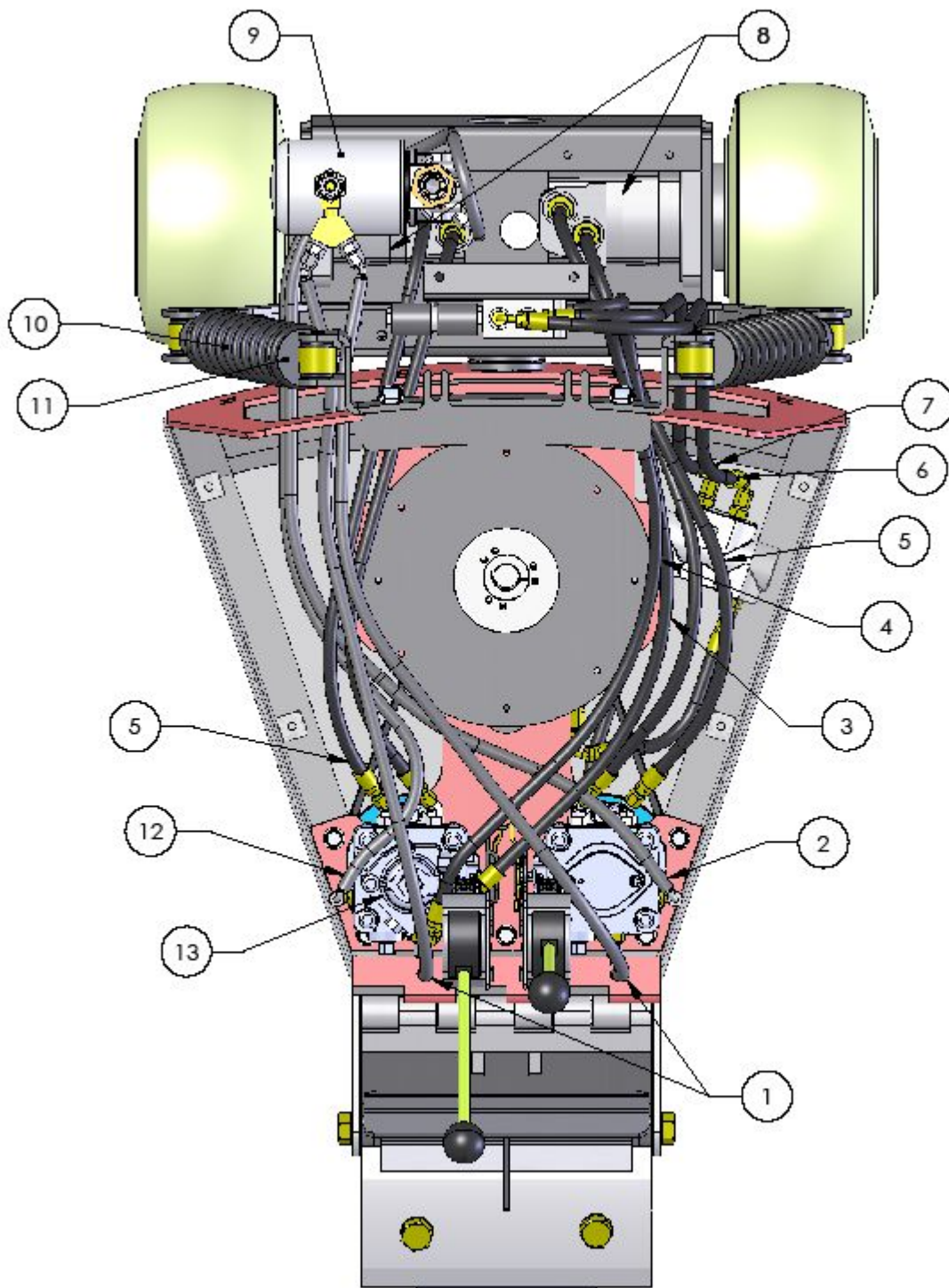




Key	Catalog #	Description
1	260.15.22	Control Lever
2	260.15.22.L.ROM	Control Lever Guide Left
3	260.15.22.R.ROM	Control Lever Guide Right
4	260B.15.26	Threaded Adapter, Control Lever
5	260P.15.25	Trip Collar, Back Up Alarm
6	260P.15.15	Rod End, Linkage
7	260P.15.23	Link Post, Control Weldment
8	260P.15.33	Micro Switch, Back Up Alarm
9	260P.15.32.L	Backup Bracket, Switch, Left
9	260P.15.32.R	Backup Bracket, Switch, Right



Key	Catalog #	Description
1	260.20.05	Tire, Plain
2	260.20.00	Hub,
3	260.05.04	V Belt
4	260P.60.05.KIT	Hood, Painted
5	260.15.57.KIT	Feed Hose W/Fittings
6	260.15.57.KIT	Feed Hose W/Fittings
7	260.15.58.Kit	Return Hyd. Hose, Port / W Fittings
8	260P.70.05	Oil Tank
9	260P.70.02	Muffler Guard
10	260.15.62.KIT	Return Hose, Starboard



Key	Catalog #	Description
1	260.15.57.KIT	Feed Hose W/Fittings
2	260.15.58.KIT	Return Hyd. Hose, Port / W Fittings
3	260P.15.39	Hose, Pump to Motor
4	260P.41.25	Hose, Pump to Valve A
5	260P.41.23	Hose, Pump to Valve B
6	260P.41.24	Hose, Valve D to Lock Valve, Rear
7	260P.41.21	Hose, Cylinder, Front to Valve
8	260.15.10	Motor, Hydraulic
9	260.15.31	Filter, Element, Replacement
10	260.40.50	Shock Absorber
11	260.40.51	Seat, Upper, Shock
12	260.15.62.KIT	Return Hose, Starboard
13	260B.15.20.AUX	Pump, Starboard, W/Auxiliary Pump

## Periodic Maintenance:

	Daily	25 hr.	50 hr.	100 hr.	200 hr.	300 hr.
Check hyd. oil level	X					
Check Air filters	X					
Check engine oil level		X				
Check loose fittings	X					
Check battery electrolyte		X				
Check Belt Tension				X		
Clean dust from heads					X	
Change engine oil				X		
Change hydraulic oil filter						X
Change engine oil filter						X
Change & regap spark plugs				X		
K Clean combustion chamber						X
K Check and adjust valve clearance			X			X
K Clean and lap valve seating surface						X

K: Have an authorized Kawasaki Engine dealer perform these services.

# OPERATION

## Before Starting Machine:

1. Check hydraulic oil level indicator and fill with Mobil DTE 25 or DTE 26 or equivalent if necessary. If pumps run dry, permanent damage may occur.
  2. Check for oil leaks and repair as necessary.
  3. Inspection the power source for proper circuit breaker protection, and make sure the GFI has been installed. This should be done by a qualified person or an electrician.
  4. Inspect the electrical cord for damage and replace or repair as necessary.
  5. Make sure the area is cleared of obstacles, and personnel that do not need to be in the area for demolition of the floor.
  6. Operator and all personnel in the demolition area must be wearing proper safety equipment.
- Required safety equipment;** safety glasses, safety shoes, leather work gloves, hearing protection, hard hat, reflective outerwear.

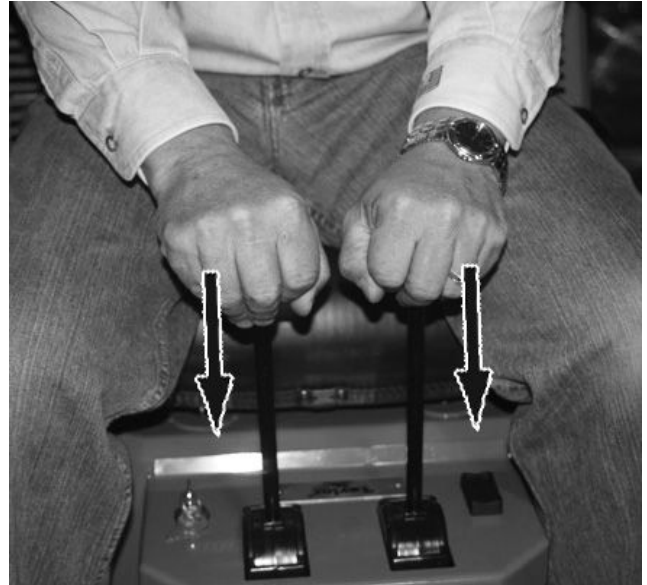
## Start Up:

- a. To start the motor, the operator must be in the seat with the seat belt restraining system properly installed, and the controls in the neutral position.
- b. Turn the key clockwise to start the motor, or press the start switch for electric machines. The motor will start and the machine is ready for operation. To stop the motor turn the key counterclockwise or press the stop button and the motor will stop.

## Driving:

- a. To move the Bronco floor stripper forward or reverse, depress the control levers downward with the palm of your hands. This activates the operator present feature and allows the levers to move forward and backward. Keep depressing the levers at all times when operating the machine.

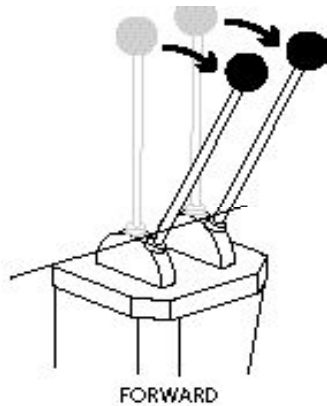
The right lever controls the speed and direction of the right wheel and the left lever controls the speed and direction of the left wheel.



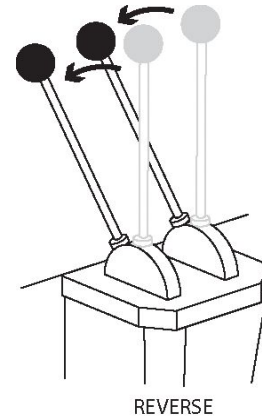
Do not use your thumbs to press the control levers down. This will cause fatigue, and possibly lock the control levers in the neutral position by mistake.



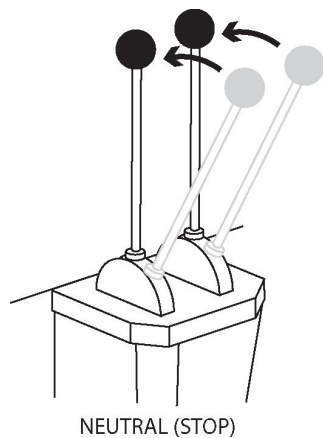
b. To move straight forward, push both levers simultaneously forward. **The further forward the levers are pushed forward the faster the machine will travel.**



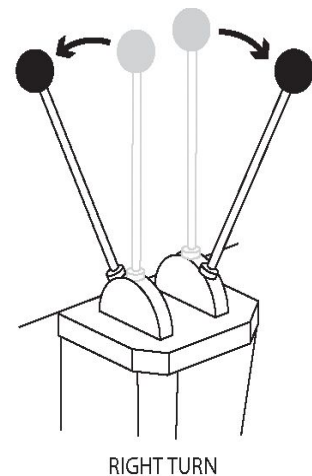
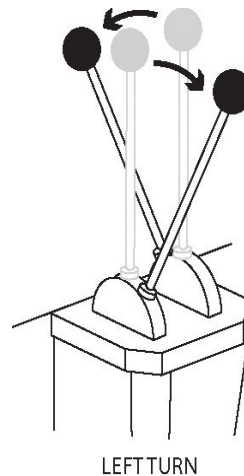
d. Pulling the levers toward the operator will reverse the machine. **The further the levers are pulled back, the faster the machine will travel.**



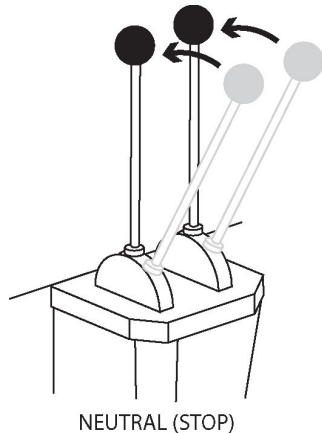
c. Bringing the levers back to center will stop the machine.



e. To turn right or left push the opposite lever forward. As shown below if a tighter turn is required pulling the other lever back while the other lever is forward will reduce the turning radius. Care must be taken when making tight turns as the further the levers are actuated the faster the turn will be. To stop bring the levers back to the center position.



f. Remember that the levers must always be depressed by the palm of your hand to keep the operator present feature engaged and the levers able to move from the neutral position.



- g. Go slow on slick surfaces. Always keep a firm grip on the controls.
- h. Before leaving the operator seat; Make sure controls are in the neutral position.
- i. Turn the motor off, and let it come to a complete stop before dismounting.
- j. Operators that are not familiar with the Bronco maneuvering controls should practice basic steering, starting and stopping in an open area free from any obstacles and personnel until proficient with the operation of the Bronco floor strip

### Blade Selection:

There are several blades that work well for each type of flooring material. Blades listed below are the most popular for each substrate. The Taylor Tools catalog has a complete list of available blades.

#### Carpet:

- 265.12.SD.....3x12x.083” Side Cutting
- 266.12.SD.....4x12x.083” Side Cutting

#### Ceramic:

- 167.04.....4x4x.125” Tool Steel
- 168.01.....1x4x.250” Tool Steel

#### Vinyl:

- 165-10.....3x10x.083” Most popular
- 165-07.....3x7x.083”
- 166-10.....4x10x.125”
- 166-07.....4x7x.125”

#### Wood:

- 167.04.....4x4x.125” Tool Steel
- 168.01.....1x4x.250” Tool Steel

### Blade Installation:

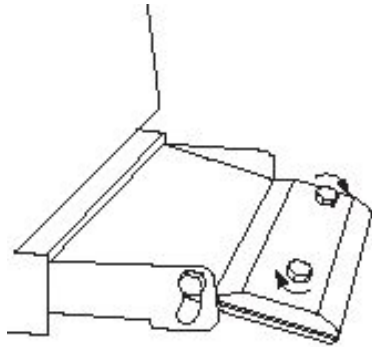


**WARNING**

*Always wear cut resistant gloves when handling and changing the blade. The blades are razor sharp and can cause serious injury.*

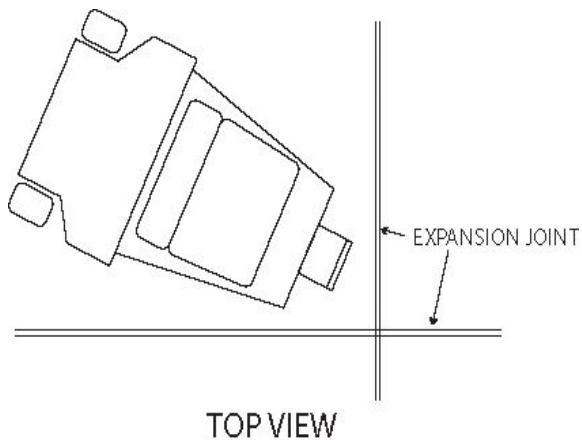
- a. Stop the motor before changing the blade.
- b. Always change or install the blade on a level floor.
- c. Raise the machine by using the lifting actuator or the hand operated jack. Lift the machine to a height that will allow easy blade removal and installation. Note: NO-ONE MAY BE ON THE MACHINE WHEN USING THE LIFTING FOOT.

- d. With the wrench provided with the Bronco, loosen the two bolts on the blade clamp and clean any debris under the clamp to ensure proper seating of the new blade.
- e. Tighten the two bolts securely with the blade in place. Always set blade angle as close to horizontal as possible (highest on the blade angle adjustment), without the machine disengaging from the substrate. If the machine disengages from the substrate increase the blade angle and or reduce the blade width. A slight change in blade angle makes a big difference in removal efficiency.
- f. Lower machine back to the floor making sure the lifting foot is completely retracted and/or remove the hand operated jack.

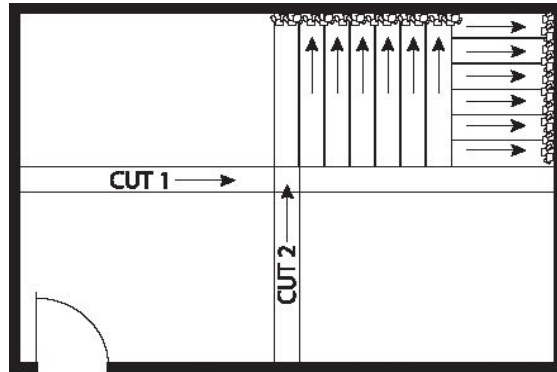


**Substrate Removal**

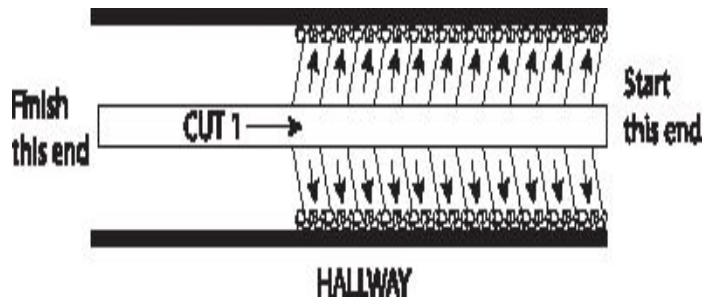
- a. Inspect the floor prior to removal of any substrate for expansion joints, floor nails and bolts or any other obstructions such as electrical and gas outlets that may cause damage to the blade.



- b. When expansion joints are identified and marked they should be navigated by a slight angle to prevent the blade from engaging them at right angles.



- c. It is important to divide the room into sections and remove the substrate toward the walls. This will keep debris away from the material yet to be removed and reduce the build-up of scrap on the floor area that you are maneuvering on. Removal and clean up of the area will then be faster and easier.



- c. Hallways are done in a manner that leaves the removed substrate at the end of the hall where the accumulated removal material will be removed from. Make your removal paths in a diagonal pattern. This will allow you to get close to the walls.

**Carpet Pulling:**

There are some cases where the machine can be used in conjunction with the **Taylor Tools Lock Jaws Carpet Clamp, (part #200)** to pull the carpet off the floor in 6'-12' widths. This is usually the fastest way to remove carpet. Most commonly done on "Direct Glue" or "Double Stick" carpets.



# TROUBLE SHOOTING

## PROPANE

### Problem

### Solution

Machine shuts down after 5-10 minutes

There is an oil pressure switch that will stop the motor if the oil pressure is low. Low oil pressure may be due to lack of oil. Check the oil level and fill if necessary. If the oil level is ok it may be a faulty switch. To check the switch jumper the two contacts. If this solves the problem replace the switch. **Never operate the machine with the switched jumpered.**

Back fire hard to start

Fuel mixture may need adjusting. This should be done by a qualified Kawasaki dealer. Contact Taylor Tools for your nearest dealer location. Spark plugs will need to be changed if there has been backfiring, use Auto Lite or NGK spark plug brands only.

## PROPANE / ELECTRIC

Machine moves but has low power

- Check to see if the bypass valves are open.
- Check belt tension and tighten if necessary.
- Check hydraulic oil level

Machine makes a loud squeal when control levers are actuated.

- Check belt tension
- Check hydraulic oil level
- If pumps have been run dry they may require replacement.

Oil leak behind rear wheel

- Check shaft seal for carpet fiber. If the shaft seal is leaking it will require removal of the hydraulic motor and be repaired by a qualified hydraulic company

**failure due to running out of oil is not covered by warranty.**

# TROUBLE SHOOTING

Control lever will not engage drive wheel

- Check the linkage connection to the pump control arm.
- Check belt tension and tighten if necessary.
- Check hydraulic oil level.
- If there is a loud squeal coming from the pump it may be caused by a loose belt or a pump that has been run without oil. If the later is the case the pump must be replaced. **Pump failure due to running out of oil is not covered by warranty.**

Machine moves forward or backward when control levers are in the neutral position.

- Put machine on a safe block to allow free turning of the wheel to be adjusted
- Open machine hood, (see hood opening procedure) and rotate the control lever clock wise or counter clockwise until wheel stops moving. Make sure that the cable end (attached to the ball joint on the control arm), does not unscrew from the end of the cable when rotating the control levers.

## **1 Year Limited Warranty**

Roofing Equipment, Inc., a California corporation that does business under the name "Taylor Tools" (the "Company"), hereby warrants to the original purchaser, on and subject to the terms described herein, that the Product shall be free of defects in material and workmanship for a period of 1 year from date of purchase (the "Limited Warranty"). In the event the Company determines that a failure is related to defects in material or workmanship and the conditions of this Limited Warranty set forth below apply, the Company at its discretion will accept the responsibility to correct or replace the defect at its cost. Parts and labor will be free of charge for one (1) Year from the date of purchase. The method of correction will be determined in the reasonable discretion of the Company and, where necessary, will include materials and labor provided by a dealer or a repair company designated by the Company.

### **Purchaser Responsibilities:**

Purchaser shall provide maintenance and adjustments and shall have complied with the procedures and recommendations described in the Operators / Instruction Manual. The Company makes no representation or warranty with respect to the useful life of the Product which will depend on the manner in which it is used, something the Company cannot control. The Purchaser must understand that frequent heavy-duty use of the Product will shorten its useful life. Transportation charges to deliver the Product to and from the place where the warranty repair will be performed are the responsibility of the Purchaser.

### **The Limited Warranty:**

This Limited Warranty contains all of the terms of the warranty being provided in connection with the Product. No person is authorized to make any changes or additions to the terms set forth herein unless they are set forth in writing and signed by an officer of the Company. The Product is sold as a business rather than as a consumer product. If there is a defect in the materials or workmanship covered by this Limited Warranty, the Company's sole obligation shall be repair and replacement as described herein. In no event will the Company be liable or responsible to the purchaser, other contractors on the job, or the owner or lender of the building for any damages in excess of the cost described herein. This limitation applies to damages of any kind, including any direct or indirect damages, lost profits, lost savings, lost of use or cost of capital, or other special, incidental, exemplary, punitive, or consequential damages whether for breach of contract, tort, or otherwise or whether arising out of the use of or the inability to use the product or system. This Limited Warranty runs only in favor of the original purchaser identified in a Product Registration card properly and timely sent to the Company and shall not apply to nor can it be enforced by any assignees, successors or subsequent purchasers of the product. **This Limited Warranty is limited; thus the terms and conditions of the Limited Warranty should be reviewed and understood before purchasing the Product.**

### **Notice of Claim:**

In order to evaluate the likely cause of any claimed defect and, if the coverage provided herein applies, to correct any such defect, a claim under this Limited Warranty must be in writing and shall be sent to the Company at the address set forth below ("Notice of Claim") within thirty days from the date such defect or defective condition is first noticed or becomes apparent ("Claim Date"). A longer period of time elapsing between the Claim Date and the Notice of Claim may result in the inability of Company to determine the nature and extent of such defect, and the Company reserves the right to disallow any Notice of Claim not made within such period. Following receipt of the Notice of Claim, representatives of the Company shall be entitled to make such inspections and tests with the full cooperation of the original purchaser as may be necessary to determine the cause of the claimed defect. The right to inspect the product and the continued cooperation of those involved shall be necessary in order for coverage herein to apply.

**This Limited Warranty requires timely written notification of any claimed defect or claim hereunder. Failure to notify the Company promptly of any such claim may void the coverage provided by this Limited Warranty. Notice of Claim should be sent or faxed to: Taylor Tools 5045 Paris Street, Denver, CO 80239**

### **Exclusions of Warranty:**

No warranty is extended on any Product that has been altered, misused, mis-assembled, improperly adjusted, neglected or damaged by accident, shipping, handling, warehousing, lack of routine maintenance, or failure to follow the provisions and recommendations in the Instruction / Operating Manual. No warranty is extended for service completed by someone other than an Authorized Dealer designated by the Company. The Company reserves the right to incorporate any change in design into its products without obligation to make such changes on products previously manufactured.

### **DISCLAIMER OF FURTHER WARRANTY**

The Company makes no other warranty, express or implied, other than this Limited Warranty. The implied warranties of merchantability and fitness for particular purpose are limited to one (1) year as described herein, or, to the extent permitted by law, are hereby disclaimed. The repair or replacement of parts that prove to be defective in material or workmanship shall be the exclusive remedy for breach of this warranty. To the extent permitted by law, the Company shall not be liable for incidental or consequential damages including but not limited to damages for inconvenience, rental or purchase of replacement equipment, or for loss of profits or other commercial loss, resulting from a breach of this warranty. Some states do not allow limitation on how long an implied warranty lasts, and some states do not allow the exclusion or limitation of incidental or consequential damages, so the above limitation and exclusion may not apply to you. This Limited Warranty gives you specific legal rights, and you may also have other rights which vary from state to state.