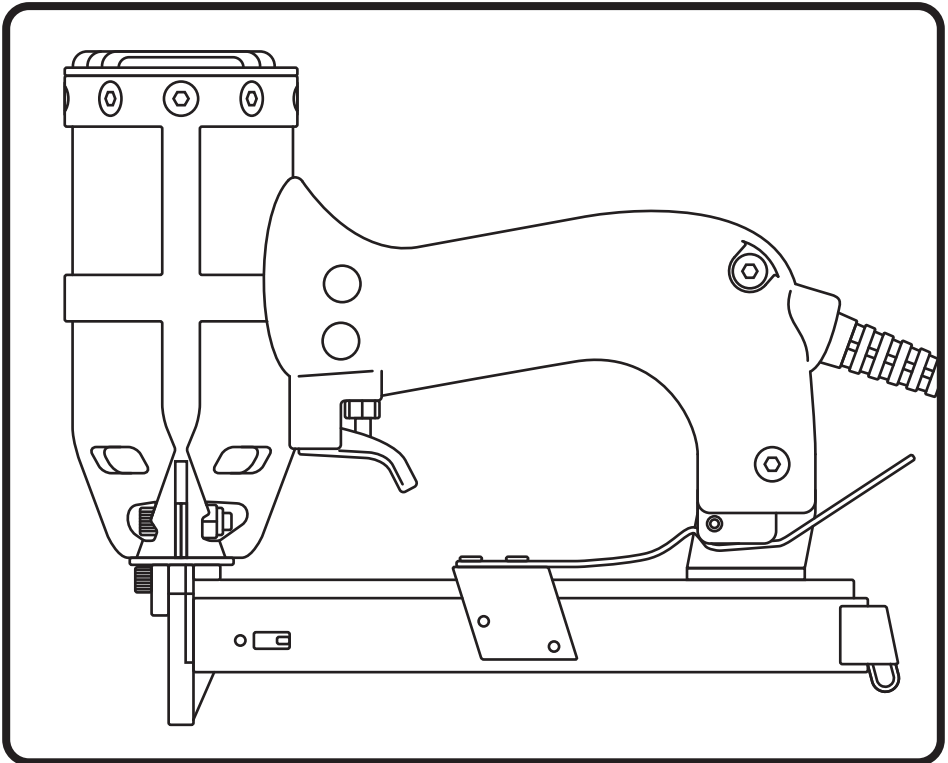




Carpet Classic Pro™

T07-5418A

OWNER'S MANUAL



CAUTION: Before attempting to use or service this tool, carefully read and understand all rules and instructions for safe operation.



NOTE: This manual includes safety warnings, operation instructions, and tips on the maintenance and inspection of this tool.

TABLE OF CONTENTS

1.0 Safety Instructions	1
1.1 Employer's Responsibilities	1
1.2 Safety Instructions	2
2.0 Tool Specifications	4
2.1 Technical Specifications	4
2.2 Suggested Applications	5
2.3 Tool Anatomy	5
3.0 Tool Operation	5
3.1 Pre-Operation Checklist	5
3.2 Loading Fasteners	6
3.3 Mode of Operation	7
4.0 Maintenance and Inspection	8
4.1 Clearing Jammed Fasteners	8
4.2 Clean and Inspect Daily	9
4.3 Storage	9
4.4 Troubleshooting	10

1.1 EMPLOYER'S RESPONSIBILITIES

1. Keep this manual available for use by all people assigned to use this tool.
2. Employer must enforce compliance with safety warnings & all instructions contained in this manual.
3. For personal safety & proper operation of this tool, read and follow all of these instructions carefully.
4. Ensure that tools are used only when operators & others in work area are wearing safety protection.
5. Enforce the use of safety protection, especially safety eyewear, by operators and others in area.
6. Keep tools in safe working order and maintain them properly.
7. Ensure that tools that require repair are not further used before repair.



IMPORTANT: Save this manual and review it frequently for continuing safe operation.

1.2 SAFETY INSTRUCTIONS



WARNING: Do not attempt to operate this tool unless you have read and fully understood all instructions and safety precautions contained in this manual. Failure to comply can result in serious injury to yourself and bystanders.



1. Always wear protective equipment.

To prevent eye injuries, safety glasses should be worn by the operator and others in the work area that conforms to requirements of ANSI Z87.1 & provides both frontal & side protection. Always wear other personal protective equipment such as hearing protection & hard hats.

2. Always keep trigger safety lock engaged when tool not in use.

Make sure the trigger safety lock operates properly before use. Always keep the trigger safety lock engaged when the tool is not in use to prevent accidental misfire of the tool.

3. Load fasteners carefully.

Always unplug the power cord before loading fasteners. Have tool pointed downwards and away from yourself or any bystanders at all times.

4. Empty fasteners from magazine when tool is not in use.

Remove all fasteners from tool before plugging in the power cord, doing tool maintenance, or when operation has been completed or suspended.

5. Keep finger off trigger when not in use to prevent accidental misfire.

6. Never point tool toward yourself or anyone else.

Always assume tool contains fasteners. Keep tool pointed away from yourself and others at all times. Never engage in horseplay with your tool. Respect your tool as a working implement.

7. Never drive staples from both sides of wall at the same time.

Staples can potentially be driven through the wall and hit a person on the opposite side.

8. Drive fasteners carefully.

Never drive fasteners into materials too hard to penetrate. Do not drive fasteners into thin boards or near corners and edges of work piece; they may be driven through or away from work piece. Do not drive fasteners on top of other fasteners or with tool at too steep an angle; the fastener can ricochet and cause personal injury or injury to bystanders.

9. Never leave tool unattended while connected to a power source.

10. Check for live electrical wires.

Avoid the risk of severe electrical shock by checking for live electrical wires that are hidden by walls, floors or ceilings. Turn off the breaker switch to ensure there are no live wires.

11. Inspect tool condition and maintain with care.

Make sure screws and caps are securely tightened at all times. Never use tool if parts are missing or damaged, or needs repair. Keep tool clean and maintained for better and safer performance.

1.2 SAFETY INSTRUCTIONS (continued)

12. Never modify or alter the tool.

Doing so may cause it to malfunction and personal injuries may result.

13. Keep idle tool in storage.

When not in use, tool should be kept in dry, and high or locked-up places - out of reach of children.

14. Secure you work.

Use clamps or a vise to hold your work pieces in place. It's safer than using your hands and it frees both hands to operate your tool.

15. Dress properly.

Be sure not to wear clothing or jewelry that may be caught in moving parts. Rubber gloves and non-slip footwear are recommended when working outdoors. Wear protective hair covering to contain long hair.

16. Handle tool carefully and correctly.

Operate tool according to this manual. Never allow tool to be operated by children, individuals unfamiliar with its operation or unauthorized personnel. Do not drop tool or strike the tool against hard surfaces; and do not scratch or engrave signs on the tool. Doing so may result in cracks on the tool surface. Never carry tool by the power cord.

17. Keep visitors away.

Do not let visitors handle the tool. All visitors should be kept safely away from the work area.

18. Keep work area clean.

Cluttered areas invite injuries. Clear work areas free of unnecessary tools, debris, furniture, etc.

19. Stay alert.

Watch what you are doing. Use common sense. Do not operate tool when tired, or under the influence of alcohol, drugs, or medication that causes drowsiness.

20. Do not overreach.

Keep proper footing and balance at all times.

21. Never use tool for application other than those specified in this manual.

Using tool for applications other than those intended for may harm the tool, cause personal injury to operator and injury to bystanders.

22. Use only parts, accessories or fasteners supplied or recommended by Tego Systems.

Unauthorized parts, accessories, or fasteners may void your warranty and can lead to malfunction and resulting injuries. Do not modify the tool without written approval from Tego Systems.

23. Always unplug the power cord when tool is not in use and before any tool maintenance.

To prevent accidental misfire, always unplug the power cord before making any adjustments, repairs, clearing of jams, when transporting between work areas or when the stapler is not in use.

24. Guard against potential electric shock.

Do not use tool in rain or wet environment and prevent body contact with grounded surfaces such as pipes, radiators, ranges, etc. While in use, do not touch metal parts of tool. Only hold tool by the plastic handle.

1.2 SAFETY INSTRUCTIONS (continued)

25. Do not abuse the power cord.

Never carry tool by the power cord or yank it to disconnect from the receptacle. Keep cord away from heat, oil, and sharp edges. When unplugging the tool, always grasp by the power cord plug. Do not unplug by pulling on the power cord.

26. Only plug tool into a power source with the correct electrical specifications.

Before connecting your tool to a power source (outlet, receptacle, etc.), be sure that the power supply is of the same voltage and frequency as specified on the tool. Use of anything different could result in serious injury to the user and damage to the tool. Never connect tool to a DC power source.

27. Always plug tool to a receptacle or extension cord with the proper grounding.

This tool should be grounded while in use to protect the user from electric shock. Use only 3-wire extension cords that have a 3-prong grounding type plug and 3-pole receptacles that accept the tool's plug. Replace or repair damaged cords before use.

28. If an extension cord must be used, always be sure:

- The extension cord plug is the same number, size and shape as the pins on the plug of the tool.
- The extension cord is properly wired and in good condition.
- The wire size is large enough to carry the full amperage rating of the tool.

Recommended Minimum AWG Size for Extension Cords

Cord length (feet):	25 ft	50 ft	100 ft	150 ft
AWG size (gauge):	14 gauge	14 gauge	12 gauge	12 gauge



CAUTION. Improper extension cord use may result in risk of fire and/or electric shock. An undersized cord will cause a drop in tool voltage resulting in loss of power and overheating. If in doubt, use the next heaviest gauge wire. The smaller the gauge number, the heavier the cord.

2.1 TECHNICAL SPECIFICATIONS

Model No.	T07-5418A
Dimensions	7.5"H x 9"L x 2.75"W (19 x 22.9 x 7 cm)
Weight	3.3 lbs. (1.5 kgs.)
Fastener Type	20 Gauge 3/16" Crown Staples
Fastener Range	1/4", 5/16", 3/8", 1/2", 9/16"
Fastener Capacity	1 strip (approx. 85 staples)

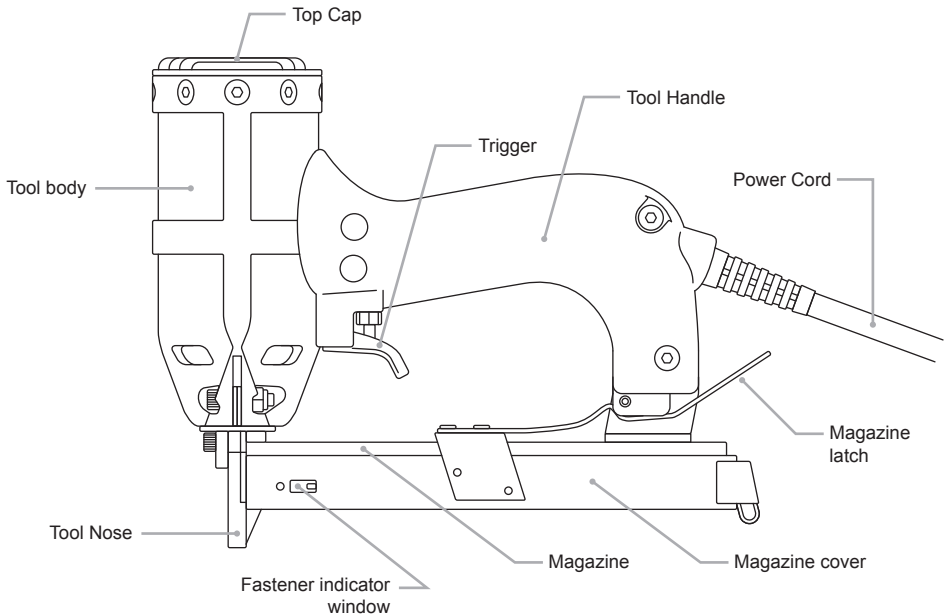


CAUTION. Only use specified fastener sizes. Not doing so may damage tool and/or injure user.

2.2 SUGGESTED APPLICATIONS

Carpet and carpet pad installation, Light wood assembly, Upholstering, Craft work.

2.3 TOOL ANATOMY



3.1 PRE-OPERATION CHECKLIST



WARNING: Read section titled “Safety Instructions” on page 2 before operating tool.

1. Wear safety glasses or goggles.
2. Unplug the power cord.
3. Remove all fasteners.
4. Inspect all screw tightness.
5. Check for any visual damages to the exterior of the tool.
6. Check that the power cord is in good condition.
7. Check that the trigger operates smoothly.
8. Check that the magazine latch securely locks.
9. **DO NOT operate tool** if anything looks abnormal.
Contact technical support or an authorized service center for assistance before operating tool.

3.2 LOADING FASTENERS



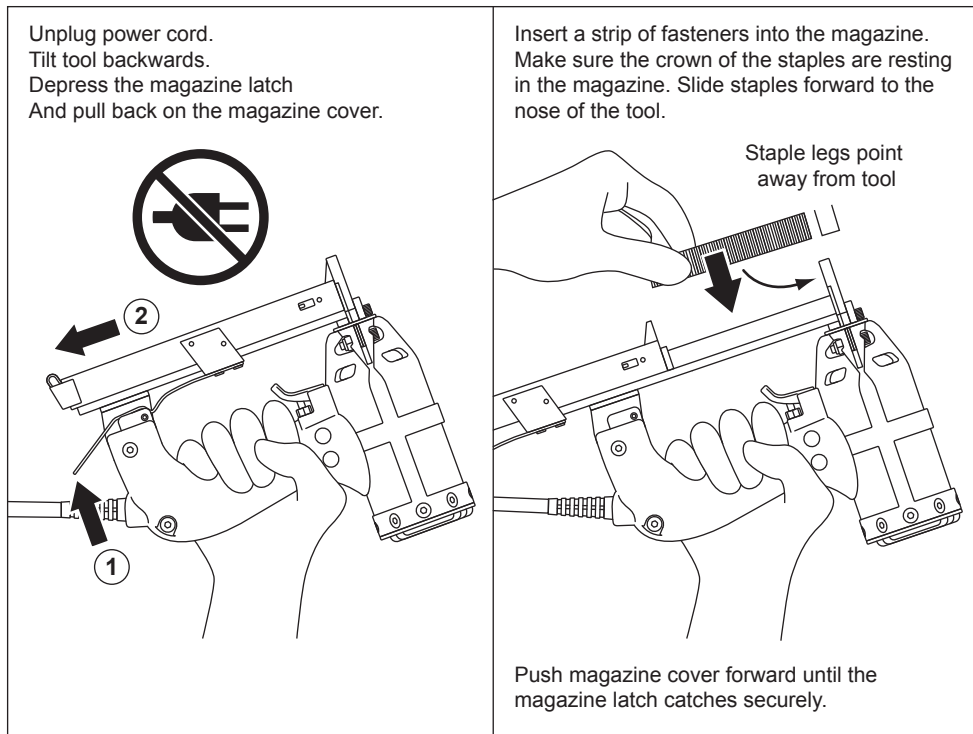
WARNING

Read section titled “Safety Instructions” on page 2 before operating tool.

NEVER load different lengths and/or types of fasteners at the same time. Doing so, could result in jamming and/or damage to your tool.

Before loading fasteners, **ALWAYS** remove existing fasteners and/or fastener strip fragments in the nose area that may have been left over from the previous work session.

Follow the fastener loading instructions below carefully. Improper loading may cause jamming and/or damage to your tool.



WARNING

When loading fasteners into the tool, keep your fingers away from the trigger.

Keep yourself as well as other persons away from the nose to avoid possible injury.

3.3 MODE OF OPERATION



WARNING

Read section titled “Safety Instructions” on page 2 before operating tool.

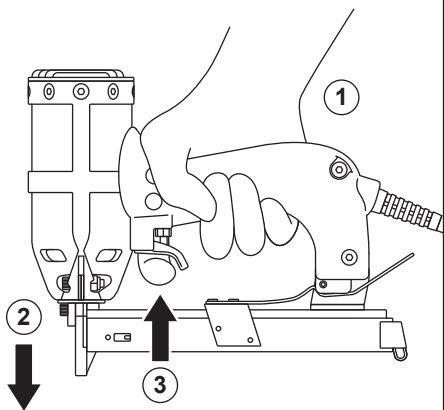
Before operating tool, make sure you have gone through the pre-operation checklist with no problems and loaded the fasteners correctly.



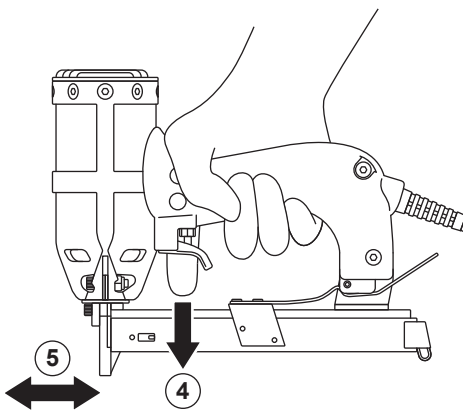
WARNING

This tool is **NOT** equipped with a contact safety mechanism. NEVER point the tool towards yourself or anyone else. Keep your fingers away from the trigger when not in use. Use extreme caution when operating the tool and ALWAYS unplug the power cord when not in use.

1. Firmly hold tool by the handle.
2. Firmly place nose of tool on desired location.
3. Pull trigger to drive fastener.



4. Release trigger.
5. To drive additional fasteners, move tool to next location and repeat steps 1 through 4.



CAUTION. During operation, the stapler may be warm to the touch. This is normal. However, if the tool begins to feel hot, slow down tacking speed. If the unit continues to be hot, discontinue use until it cools.

Avoid firing the stapler when empty as this puts unnecessary wear on internal components and can shorten the life of the tool.

4.1 CLEARING JAMMED FASTENERS

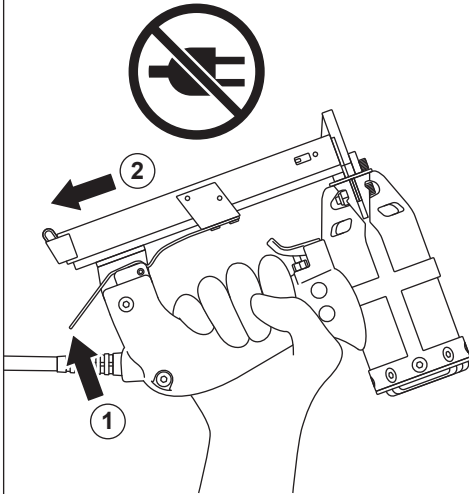


WARNING

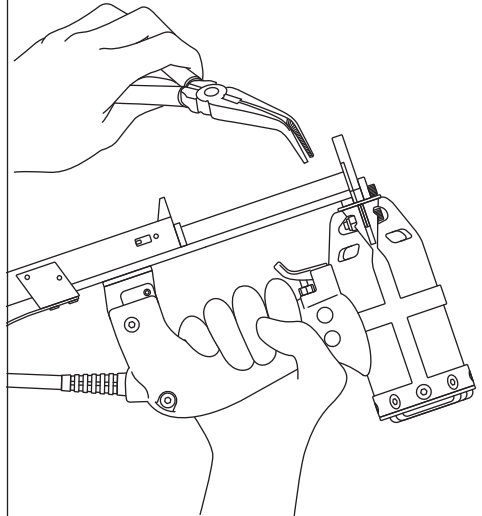
Read section titled “Safety Instructions” on page 2 before operating tool.

Always unplug the power cord before making any adjustments, repairs, clearing of jams, when transporting between work areas or when the stapler is not in use.

Unplug power cord.
Tilt tool backwards.
Depress the magazine latch.
And pull back on the magazine cover.
Remove any remaining fasteners.



Remove the jammed fastener.
It may be necessary to use a needle nose plier.



Push magazine cover forward until the magazine latch catches securely.

4.2 CLEAN AND INSPECT DAILY

DANGER: Never use gasoline or other flammable liquids to clean the tool. Vapors in the tool will ignite by a spark and cause the tool to explode and result in death or serious injury.

Wipe tool clean

Use non-flammable cleaning solutions to wipe exterior of tool only if necessary. **DO NOT SOAK** tool with cleaning solutions, such solutions can damage internal parts.

CAUTION: Dry off tool completely before use.

Inspect overall exterior tool condition

Inspect all screw tightness. Check for any visual damages to the exterior of the tool. Check that the power cord is in good condition.

Inspect and clean the trigger

Make sure the trigger can move freely and smoothly. Clean if necessary. Do not use the tool if the trigger sticks or binds. This can cause misfiring.

Inspect and clean the magazine

Remove wooden chips which may have accumulated in the magazine. Make sure the magazine cover can open and close smoothly. Lubricate with tool lubricant. Make sure the magazine latch securely locks.

CAUTION: Check that the magazine cover slides smoothly by pulling it with a finger. If not smooth, fasteners can be driven at an irregular angle and injure someone.

Inspect and clean the discharge area

The fastener discharge area must be kept clean at all times. Any residues could cause jamming and or misfiring.

DO NOT operate tool if anything looks abnormal. Contact technical support or an authorized service center for assistance before operating tool.

4.3 STORAGE

- When not in use for an extended period, apply a thin coat of lubricant to the steel parts to avoid rust.
- Do not store tool in a cold weather environment. Keep tool in a warm area.
- When not in use, the tool should be stored in a warm and dry area - out of reach of children.

4.4 TROUBLESHOOTING



WARNING

Read section titled "Safety Instructions" on page 2 before attempting to troubleshoot tool. Stop using the tool immediately if any of the following problems occur. Serious personal injury could occur. Most minor problems can be resolved quickly and easily by the table below. If problems persist, contact Tego Systems or an authorized service center only.

Unplug power cord before performing any service procedures.

Symptom	Possible Cause	Remedy
Fasteners will not drive deep enough.	Driver blade rounded off and slipping off fastener head or broken.	Replace driver blade.
	Overheated tool.	Allow tool to cool down before use.
	Extension cord gauge too small.	Use properly rated extension cord.
Tool operates, but no fastener is driven.	There is a jam.	Clear jam.
	Pusher spring weakened or damaged.	Replace pusher spring.
Tool does not operate.	Power cord not getting power.	Check cord, plug and/or extension cord.
	Trigger switch failure.	Repair or replace trigger switch.
	Power supply module damaged.	Repair or replace power supply module.
	Jammed driver blade / plunger.	Clear jam and/or service driver / plunger.
Tool over heats.	Extension cord gauge too small.	Extension cord gauge too small.
	Operating tool too fast.	Slow down staple driving rate.
Fastener jamming.	Damaged pusher plate.	Repair or replace pusher plate.
	Fastener size not correct.	Fasteners recommended for tool must be used.
	Fasteners are bent.	Replace with undamaged fasteners.
	Clogged or damaged nose piece.	Unclog, repair or replace nose piece.
	Magazine cover misaligned.	Replace or service magazine cover.

Tego Systems One Year Limited Warranty

Tego Systems warrants its professional power tools are to be free of defects from workmanship and material for a period of one year from the date of original date of purchase (exceptions: rubber o-rings, bumpers, seals & driver blades). We will repair or replace at our option, any parts of the product and accessories covered under this warranty, which after examination, proves to be defective in workmanship or material during the warranty period. For repair or replacement, contact Tego Systems directly. Proof of purchase may be required.

This warranty does not apply to repair or replacement required due to misuse, abuse, normal wear and tear or repairs and alterations attempted or made by other than our Service Center or Authorized Service Stations. In no event shall Tego Systems be liable for any indirect, incidental, or consequential damage from the sale or use of this product. This disclaimer applies both during and after the term of warranty.

This is the only warranty and our company makes no warranties expressed or implied, including merchantability and fitness for a particular purpose, after the one year term of this warranty.

This limited warranty gives you specific rights, and you may also have other rights, which vary from state to state.