



**Manufacturers of Professional Floor Covering Tools & Equipment**

**Authorized Distributors**

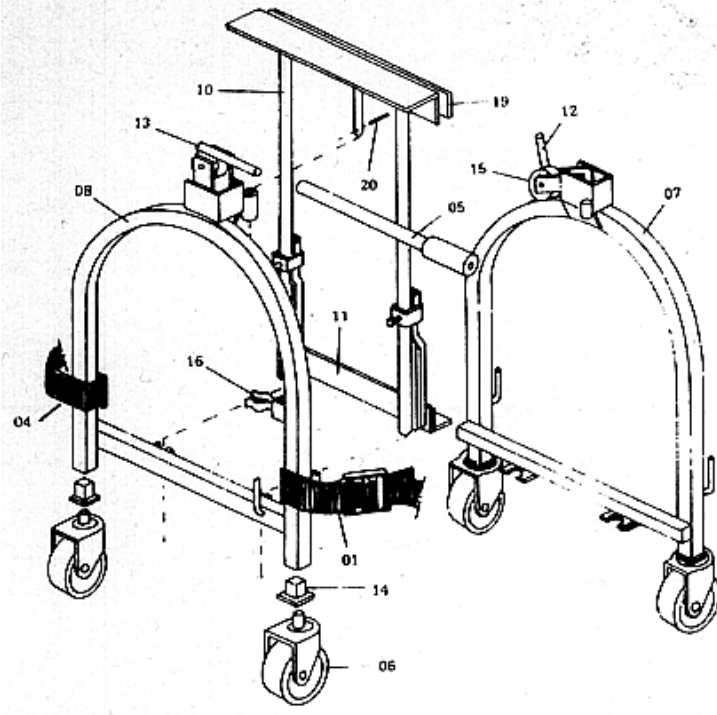
**Monthly Specials**

**Replacement Parts**

**Contact Us**

**#600 Uni-Lift**

**Home  
Back**



<b>Catalog No.</b>	<b>Description</b>	<b>Std. Pack</b>
600-01	2" x 1' White Strap w/Buckle	1
600-02	2" x 7' White Strap w/Buckle	1
600-03	2" x 11' White Strap w/Buckle	1
600-04	2" x 11' White Strap w/o Buckle	1
600-05	Handle w/Grip	1
600-06	Casters	4
600-07	Right Hand Frame	1
600-08	Left Hand Frame	1

600-09	Right top Section	1
600-10	Left Top Section	1
600-11	Cradle	1
600-12	Right Hand Lifting Lever	1
600-13	Left Hand Lifting Lever	1
600-14	Sockets for Casters	4
600-15	Plastic Wheel (Lifting Roller)	2
600-16	Handle Clip	1
600-17	1/2 Unit Right Hand Frame Only	1
600-18	1/2 Unit Left Hand Frame Only	1
600-19	Rubber Protective Strip	4
600-20	Roll Pins (Set of 6)	1 Set
600-21	Square Head Set Screws	4
600-22	Roll Pin 1/4 x 1 1/2 (600-15)	4