



Manufacturers of Professional Floor Covering Tools & Equipment

Authorized Distributors

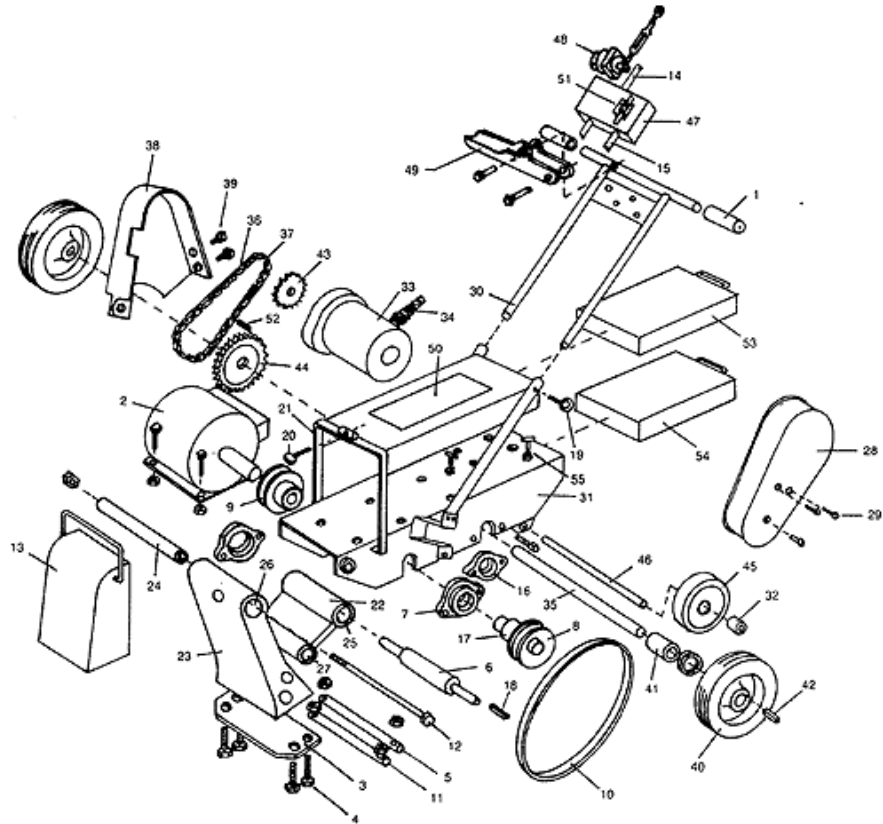
Monthly Specials

Replacement Parts

Contact Us

**Home
Back**

464 Self-Propelled Stripper



Key No.	Catalog No.	Description	Std. Pack
1	460-02	Handle Bar Grip	2
2	460-08	3/4 HP Electric Motor	1
3	460-12	Blade Shoe Clamp	1
4	460-13	Blade Shoe Clamp Bolt (4 required)	4
5	460-14	Connecting Rod Shaft	1
6	460-17	Cam Shaft	1
7	460-18	Cam Shaft Bearing	2
8	460-19	Cam Shaft Sheave (Pulley)	1
9	460-20	Motor Sheave (Pulley)	1
10	460-21	V-Belt 24"	1
11	460-22	Connecting Rod Shaft	1
12	460-24	Pivot Bolt	1
13	460-26	Nose Weight (Removeable)	1
14	460-28-A	21' Electric Cord w/Cap	1
15	460-28-B	4' Electric Cord	1
16	460-52	Set Screws for Bearing (460-18)	6
17	460-53	Set Screws for Sheaves (460-19/20)	4
18	460-54	Shaft Key (460-08/460-17)	4
19	460-55	Eye Bolts (460-25)	4
20	460-56	Thumb Screws (460-26)	4
21	460-58	Rubber Strips (460-25)	6
22	462-60	ConnectingRod w/Bearings	1

23	462-61	Striker Foot Casting w/Bearings	1
24	462-63	Pivot Shaft (Hardened)	1
25	462-65	1" I.D. Ball Bearing	2
26	462-66	5/8" I.D. Roller Bearing	2
27	462-67	Oilite Bushings	2
28	463-70	Belt Guard	1
29	463-75	Belt Guard Mounting Bolts	6
30	464-79	Handle Bar	1
31	464-80	Hood and Base Assembly	1
32	464-80-01	Locking Collar	1
33	464-81	1/4 HP Drive Motor w/Bolts	1
34	464-81A	Cable Relief Assembly	1
35	464-83	Drive Axle w/Cotter Key	1
36	464-84	Drive Wheel Chain w/Link	1
37	464-84-02	Drive Wheel Chain Link	4
38	464-85	Drive Wheel Chain Guard w/Screws	1
39	464-85-02	Drive Wheel Chain Guard Screws	6
40	464-86	Drive Wheel w/Keys	1
41	464-86-01	Drive Wheel Spacers	2
42	464-86-02	Drive Wheel Key - 3 1/8"	4
43	464-88	Drive Motor Chain Sprocket	1
44	464-89	Drive Wheel Chain Sprocket	1
45	464-90	Idle Wheel 2/Washers	2
46	464-91-02	Idle Wheel Axle	1
47	464-92	Switch Box Complete	1
48	464-92A	Momentary Switch	1
49	464-92B	Drive Motor Lever Assembly	1
50	464-99	Decal Set	1
51	900-03	Electric Switch	1
52	464-86-03	Drive Wheel Sprocket Key - 2 1/8"	1
53	464-95	Hood Weight	1
54	464-96	Base Weight	1
55	464-97	Hood/Base Weight Lock Bolts	8
56	462-70-A	Side Plates	2
57	462-70-B	Spacer Collars	2
58	460-24	Pivot Bolt w/Nut	1
59	462-63	Pivot Shaft	1
	472-70	Tile Attachment Kit	1