



Manufacturers of Professional Floor Covering Tools & Equipment

Authorized Distributors

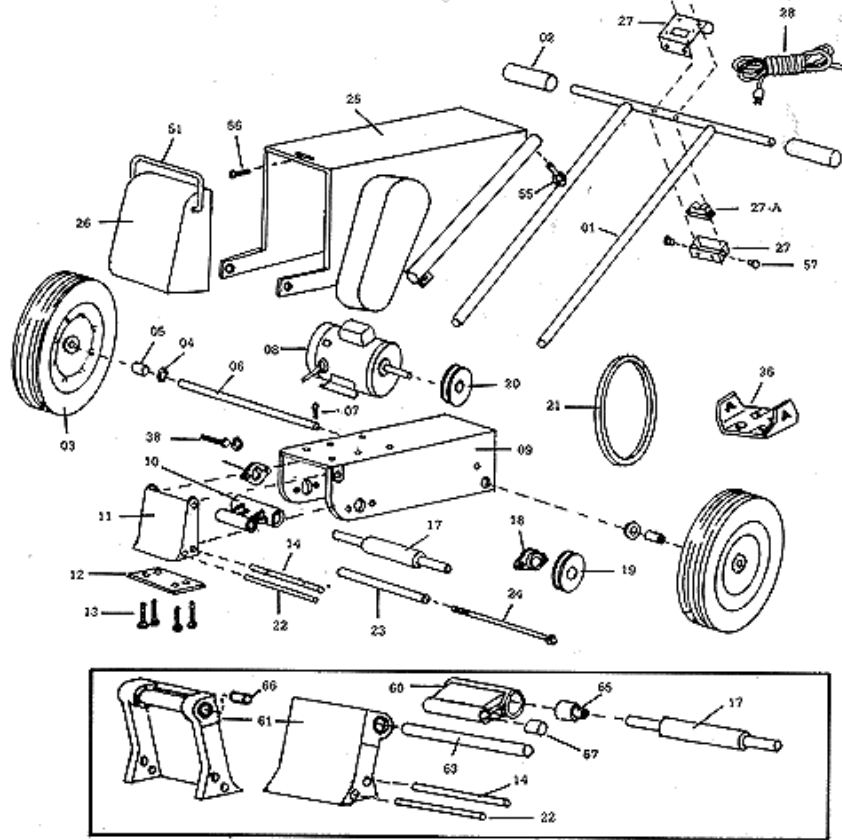
Monthly Specials

Replacement Parts

Contact Us

#460/461 Master Stripper

**Home
Back**



Catalog No.	Description	Std. Pack
460-01	Handle Bar	1
460-02	Handle Bar Grip	2
460-03	Wheel & Tire 10 x 2.75	1
460-04	Wheel Washer	8
460-05	Wheel Spacer	4
460-06	Wheel Axle	1
460-07	Cotter Pin	8
460-08	3/4 HP Elec Motor (115V Welded Base)	1
460-09	Motor Base	1
460-10	Connecting Rod	1
460-11	Striker Foot Casting	1
460-12	Blade Shoe Clamp	1
460-13	Blade Shoe Clamp Bolt (4 required)	4
460-14	Connecting Rod Shaft	1
460-17	Cam Shaft	1

460-18	Cam Shaft Bearing	2
460-19	Cam Shaft Sheave (Pulley)	1
460-20	Motor Sheave (Pulley)	1
460-21	V-Belt 24"	1
460-22	Connecting Rod Shaft	1
460-23	Pivot Shaft	1
460-24	Pivot Bolt	1
460-25	Hood	1
460-26	Nose Weight (Removeable)	1
460-27	Junction Box	1
460-27A	Rocker Switch	1
460-28	25' Electrical Cord	1
460-28-A	21' Electric Cord w/Cap	1
460-28-B	4' Electric Cord	1
460-29	Blade Holder (For Resharpener Blades)	1
460-32	1/2"x9/16" Box End Wrench	1
460-33	Grease Gun w/Hi-Temp Grease	1
460-35	Sander Attachment	1
460-36A	Motor Cradle (Model 38RN7 AA1) 9"	1
460-38	Motor Mounting Bolts 1" (4 required)	8
460-40	Ripper Teeth	1
460-45	Roll Goods Cutter (Side Cutter)	1
460-51	Nose Weight Handle Only (460-26)	1
460-52	Set Screws for Bearing (460-18)	6
460-53	Set Screws for Sheaves (460-19/20)	4
460-54	Shaft Key (460-08/460-17)	4
460-55	Eye Bolts (460-25)	4
460-56	Thumb Screws (460-26)	4
460-57	Strain Relief Bushing (460-27)	4
460-59	Hub Caps	2
460-71	3/8" Cable Clamp	6
460-72	#6x1/4 TCS (460-27A)	12
460-73	Instruction Decals	5
460-74	Motor Connector w/Nut	2
	462,463 Heavey Duty Stripper	
Catalog No.	Description	Std. Pack
462-60	Connecting Rod w/Bearings	1
462-61	Striker Foot Casting w/Bearings	1
462-63	Pivot Shaft (Hardened)	1
462-65	1" I.D. Ball Bearing (462-60)	2
462-66	5/8" I.D. Roller Bearing (462-61)	2
462-67	Oilite Bushings (462-60)	2
462-68	Stripper Modification Kit Includes 1 each of the following parts: 460-12 460-22 460-13 (1 set) 462-60 460-14 462-61 460-17 462-63	1
463-69	Hood & Base Assembly	1
463-70	Belt Guard	1
463-73	Instruction Decals	5
463-75	Belt Guard Mounting Bolts	6

