

5625 PROPANE RIDE-ON SCRAPER

SERVICE MANUAL



Read Manual Before Servicing Machine

Table of Contents

Table of Contents	3
Specifications	4
Product Specifications	4
Machine Variants	4
Safety	6
General Rules for Servicing Machine	6
Hydraulic Safety	8
Troubleshooting Guide	11
Maintenance	19
Remove Slide Plate	19
Leak Maintenance	19
Hydraulics	19
Check Engine Oil	20
Change Engine Oil Filter	20
Remove or Replace Foot Peg	20
Change Pump	20
Change Valve	21
Change Wheel Motor	21
Change Wheel	21
Additional Engine Maintenance	22
Caster Assembly	22
Parts List and Diagrams	12
External/Body	12
Base/Engine	13
Hood Support	15
Caster	15
Wheels	15
Dual Lift	16
Manual Lift	17
Weights	17
Foot Pegs	18
Front Fuel Line	18
Lever (Manual Lift)	19
Lever (Dual Lift)	20
Hydraulics	21
Labels	22
Wiring	23
Warranty	24

Specifications

Product Specifications

Width	Length	Height	Empty Weight	Weight	Speed	RPM	HP
26" (66 cm)	63" (160 cm)	52.25" (133 cm)	1,371 lbs (623 kg)	1,816 lbs (824 kg)	Up to 200 ft/min.	2,950	25

Machine Variants

Region	Serial Number	Propane Tank	Body Panels	Cutting Head
United States	5625-10XXXX	7050-P	Silver Vein	Manual Lift
	5625-23XXXX	Top Bracket	Silver Vein	Manual Lift
	5625-12XXXX	Top Bracket	Green	Manual Lift
	5625-17XXXX	7050-P	Silver Vein	Dual Lift
	5625DL-23XXXX	Top Bracket	Silver Vein	Dual Lift
International	5625-13XXXX	Top Bracket	Silver Vein	Dual Lift

Dual Lift



Manual Lift



7050-P Propane Tank



Top Bracket Propane Tank



ATTENTION: NATIONAL FLOORING EQUIPMENT (NFE) DOES NOT SUPPORT CONVERTING THE 7050-P PROPANE TANK TO A TOP BRACKET CONFIGURATION. THIS CONFIGURATION IS NOT AVAILABLE UNLESS APPROVED BY NFE.

GENERAL RULES FOR SERVICING MACHINE

Before use, anyone operating or performing maintenance on this equipment must read and understand this Service Manual, as well as any labels packaged with or attached to the machine and its components. Reference this machine's Operator's Manual for instructions on usage. Read the manual carefully to learn equipment applications and limitations, as well as potential hazards associated with this type of equipment. If manual is lost or damaged, contact National Flooring Equipment (NFE) for a replacement.

Personal

Dress properly and use safety gear.

Do not wear loose clothing; it may be caught in moving parts. Everyone in the work area should wear safety goggles or glasses. Wear hearing protection during extended use and a dust mask for dusty operations. Hard hats, face shields, safety shoes, etc. should be worn when specified or necessary. Wear the provided Carbon Monoxide (CO) lapel monitor when operating.

Maintain control; stay alert.

Keep proper footing and balance, and maintain a firm grip. Observe surroundings at all times and use common sense. Do not use when tired, distracted, or under the influence of drugs, alcohol, or any medication that may cause decreased control.

Keep hands away from all moving parts and blades.

Wear gloves when changing blades. Remove blade when machine is not in use and/or lower cutting head to the floor.

Maintenance & Repairs

Begin maintenance work only when the machine is shut down, the propane valve is closed, and the engine has cooled.

Use proper cleaning agents.

Ensure that all cleaning rags are fiber-free; do not use any aggressive cleaning products.

Ensure machine is properly cleaned and serviced.

Remove all traces of oil, combustible fuel, or cleaning fluids from the machine and its connections and fittings. Retighten all loose fittings found during maintenance and repair work. Loose or damaged parts should be replaced immediately; use only NFE parts.

Do not weld or flame-cut on the machine during repairs without authorization from NFE.

Battery

Remove personal metal items when working with batteries.

A battery can produce a short circuit current sufficient enough to weld metal objects, causing severe burns. Be careful to not drop metal tools on the battery, as a spark or short circuit could cause an explosion.

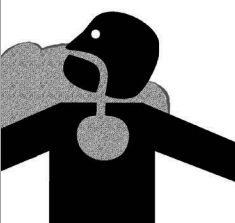
Never smoke or allow a spark or flame near the battery.

Do not block the machine's air flow.

Blocking ventilation slots or air flow will result in damage to the machine. Leave space for air to flow freely during operation.



WARNING: BE CAUTIOUS WHEN WORKING WITH BATTERY. IF ELECTROLYTIC ACID GETS IN THE EYES, IMMEDIATELY FLUSH OUT WITH COLD, FRESH WATER FOR AT LEAST 10 MINUTES AND GET MEDICAL HELP.



WARNING: GRINDING/CUTTING/DRILLING OF MASONRY, CONCRETE, METAL AND OTHER MATERIALS CAN GENERATE DUST, MISTS AND FUMES CONTAINING CHEMICALS KNOWN TO CAUSE SERIOUS FATAL INJURY OR ILLNESS, SUCH AS RESPIRATORY DISEASE, CANCER, BIRTH DEFECTS OR OTHER REPRODUCTIVE HARM. IF YOU ARE UNFAMILIAR WITH THE RISKS ASSOCIATED WITH THE PARTICULAR MATERIAL BEING CUT, REVIEW THE MATERIAL SAFETY DATA SHEET AND/OR CONSULT YOU EMPLOYER, THE MATERIAL MANUFACTURER/SUPPLIER, GOVERNMENTAL AGENCIES SUCH AS OSHA AND NIOSH AND OTHER AUTHORITIES ON HAZARDOUS MATERIALS. CALIFORNIA AND SOME OTHER AUTHORITIES, FOR INSTANCE, HAVE PUBLISHED LISTS OF SUBSTANCES KNOWN TO CAUSE CANCER, REPRODUCTIVE TOXICITY, OR OTHER HARMFUL EFFECTS. CONTROL DUST, MIST AND FUMES AT THE SOURCE WHERE POSSIBLE. IN THIS REGARD USE GOOD WORK PRACTICES AND FOLLOW THE RECOMMENDATIONS OF THE MANUFACTURER/SUPPLIER, OSHA/NIOSH, AND OCCUPATIONAL AND TRADE ASSOCIATIONS. WHEN THE HAZARDS FROM INHALATION OF DUST, MISTS AND FUMES CANNOT BE ELIMINATED, THE OPERATOR AND ANY BYSTANDERS SHOULD ALWAYS WEAR A RESPIRATOR APPROVED BY OSHA/MSHA FOR THE MATERIAL BEING CUT.

Safety

HYDRAULIC SAFETY

Maintaining a Safe Work Environment

Establishing a safe work environment in and around your hydraulic equipment is extremely important. The easiest and most effective way to avoid problems is to make sure associates understand their equipment, know how to operate the machines safely, and recognize the dangers if handled carelessly. A few things to be aware of are:

- **Pressure:** Hydraulic fluid under pressure is dangerous and can cause serious injury. Never look for a leak when unit is under pressure. Using your hand could cause serious injury. A few common ways to encounter hydraulic fluid under pressure include:
 - Pinhole: Fluid under pressure can cause serious injury. It can be almost invisible escaping from a pinhole, and it can pierce the skin into the body.



DANGER: DO NOT TOUCH A PRESSURIZED HYDRAULIC HOSE ASSEMBLY WITH ANY PART OF THE BODY. IF FLUID PUNCTURES THE SKIN, EVEN IF NO PAIN IS FELT, A SERIOUS EMERGENCY EXISTS. OBTAIN MEDICAL ASSISTANCE IMMEDIATELY. FAILURE TO DO SO COULD RESULT IN LOSS OF THE INJURED BODY PART OR DEATH.

- Leak: Keep fittings and hoses tight. Only check and service when not under pressure. Leaking hydraulic fluid is hazardous; in addition to making workplace floors slippery and dangerous, it also contaminates the environment. Before cleaning an oil spill, always check EPA, state, and local regulations.
- Burst: Whether due to improper selection or damage, a ruptured hose can cause injury. If it bursts, a worker can be burned, cut, injected, or may slip and fall.
- Coupling Blow-Off: If the assembly is not properly made or installed, the coupling could come off and hit or spray a worker, possibly resulting in serious injury. Never operate machine without guards.
- **Flammability:** When ignited, some hydraulic fluids can cause fires and/or explode. With the exception of those comprised primarily of water, all hydraulic fluid is flammable (including many “fire-resistant” hydraulic fluids) when exposed to the proper conditions. Leaking pressurized hydraulic fluids may develop a mist or fine spray that can flash or explode upon contact with a source of ignition. These explosions can be very severe and could result in serious injury or death. Precautions should be taken to eliminate all ignition sources from contact with escaping fluids, sprays or mists resulting from hydraulic failures. Sources of ignition could be electrical discharges (sparks), open flames, extremely high temperatures, sparks caused by metal-to-metal contact, etc.



CAUTION: NEVER USE YOUR HANDS TO CHECK FOR LEAKS OVER HOSE OR HYDRAULIC CONNECTIONS. USE A PIECE OF CARDBOARD TO LOCATE A PRESSURIZED LEAK. FOR LOW PRESSURE LEAKS (DRIPS), USE A RAG TO CLEAN THE AREA AND DETERMINE WHERE THE LEAK ORIGINATES.

- **Mechanical:** Hydraulic fluid creates movement, which means some equipment may move. Observe surroundings and equipment at all times.
- **Moisture:** Do not use in wet or high moisture conditions.
- **Electrical:** Faulty wiring can be an electrical hazard. A regular preventive maintenance program should always include a wiring check. If applicable, disconnect battery before servicing.
- **Temperature:** Because this machine operates at a relatively low pressure, overheating is not common. If surface of tank becomes too hot to touch by hand (above 130°F or 55°C), shut off machine and allow it to cool.

Hydraulic Fluid

Only use Texaco Rando 46 Hydraulic Oil or compatible fluid like ISO or AW #46 from a brand name manufacturer. Non-compatible fluids could cause damage to unit or serious injury.

Troubleshooting Guide

Problem	Cause	Solution
Scraper does not work when pump is generating pressure.	Severe blockage in wheel drive motor hoses.	Check hoses for blockage and replace hose if necessary.
	Wheel drive motors defective.	Call NFE service center.
Hoses are worn.	Hoses rubbing on components.	Replace and protect hose.
	Hose has been exposed to poor environmental conditions.	Replace hose and protect equipment from poor conditions.
Machine makes an unusually loud hissing or whistling noise.	Fluid is passing over relief valves.	If noise is continuous, call National service center.
	Air in hydraulic circuit.	Check all suction lines; tighten all hose connections. Call NFE service center.
Oil deposits are evident on the inner sides of the driving wheels.	The shaft seals on the wheel motor is worn out.	Replace wheel motor.
	Hose fittings are loose.	Tighten hose fitting. Replace hose or fitting if necessary.
The machine has no power with the engine running at 2,950 RPM.	Check the valve, love joy coupler on pump, handle hardware, and for hose leaks.	Contact NFE service center immediately. Do not operate in this condition.
The scraper does not react when the motion control joystick is actuated.	Check the valve, love joy coupler on pump, handle hardware, and for hose leaks.	Contact NFE service center immediately. Do not operate in this condition.
The hydraulic oil is very cloudy. Excessive air in the circuit can cause severe damage to pump. Stop machine and repair immediately!	Water has entered the hydraulic tank.	Repair tank if necessary. Drain and clean tank thoroughly.
	Oil is contaminated with dirt.	Drain and clean tank thoroughly. Change oil.
	Air has entered the circuit.	Contact NFE service center.
Excessive amount of oil on the chassis.	Outside oil spilled on chassis.	Clean machine thoroughly and see if oil returns.
	Loose hose connections.	Check for loose hoses.
	Loose tank fittings.	Check for loose fittings.
	Low fluid level.	Check fluid level and replace.
Hydraulic oil and/or oil foam leaking from the oil tank.	Oil level is too high.	Drain tank to correct level.
	Oil level is too low.	Fill tank to correct level.
	Vent in return filter blocked.	Check for blockage.
	Excessive air in the circuit can cause severe damage to piston pumps.	Stop and repair! Check all suction lines. Tighten all hose connections and fittings.
Engine dies or cuts out.	Fuel tank is empty.	Change or fill fuel tank.
	Oil is low.	Fill oil to proper level.
	Operator is not seated properly.	Position on seat correctly.
Red ignition light stays on.	Oil is low.	Fill engine oil to proper level.
	Machine is overheating.	Let engine cool. Add coolant to proper level.
Machine doesn't start.	Machine needs to be primed.	Press primer button once; restart machine.

Maintenance



FIG. 1

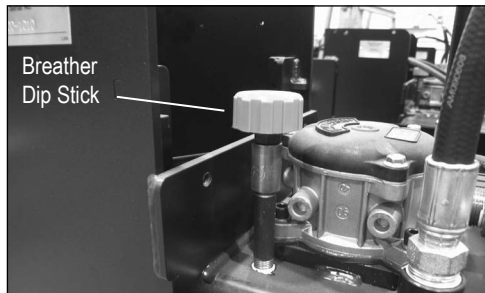


FIG. 2

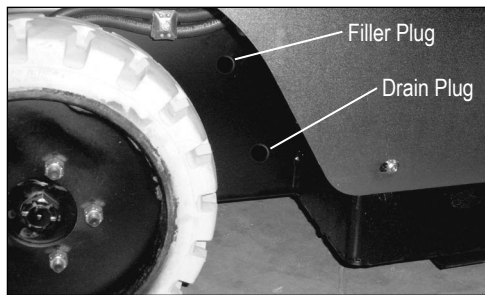


FIG. 2.1

REMOVE SLIDE PLATE

1. Follow shut-down procedure.
2. Remove slide plate pin. Remove cutting head bolt. Remove cylinder from slide plate. Remove slide plate (Figure 1).

OR

1. Follow shut-down procedure.
2. Unplug hydraulic lines from cylinder. A small amount of oil may leak out of the lines. Cap lines or bleed them into a container; wipe up spillage immediately.
3. With lines removed, loosen slide plate securing bolts. Hold slide plate at the top of the cylinder.



WARNING: SLIDE PLATE WILL DROP TO THE FLOOR WHEN SLIDE-PLATE-SECURING BOLTS ARE DISENGAGED. KEEP HANDS AND FEET OUT FROM UNDER THE SLIDE PLATE. FAILURE TO DO SO COULD CAUSE SEVERE INJURY.

4. Remove slide plate, cylinder and lower cutting head support.



CAUTION: LET ENGINE COOL BEFORE ANY MAINTENANCE. FAILURE TO DO SO COULD CAUSE SERIOUS BODILY INJURY.

LEAK MAINTENANCE

All fittings on this machine are O-ring style.

1. Follow shut-down procedure.
2. If a leak is detected, tighten fitting with the proper wrench size. Do not over-tighten. Over-tightening could damage O-rings.
3. If a leak still persists, remove fitting and replace O-ring.

HYDRAULICS

Check Fluid Levels

1. Remove breather dip stick (Figure 2).
2. Check to see that hydraulic fluid is visible on dip stick.

OR

1. Remove filler plug (Figure 2.1).
2. Oil should be visual 2" at the bottom of the hole.
3. Reinsert plug.

Change Fluid

1. Let hydraulic fluid cool before maintenance; disconnect machine from battery.
2. Drain fluid by removing the drain plug from side of tank (Figure 2.1). This unit contains 6 gallons of fluid. Ensure there is a proper amount of containers to catch fluid.
3. Replace drain plug.
4. Remove filler plug (Figure 2.1).
5. Add fluid until it is visual 2" at the bottom of the hole.

Change Cylinder

1. Follow shut-down procedure.
2. Disconnect cylinder lines. Have a container ready to catch oil from lines.
3. Remove cylinder securing hexhead bolt from lower cutting head support.
4. Remove clips and pin from cylinder and slide plate.
5. Remove cylinder upper pin.
6. Remove cylinder.



FIG. 3

Remove or Change Hose

1. Follow shut-down procedure.
2. Remove hood.
3. Using proper wrench size, turn the swivel nut while using a second wrench to keep the hose from turning.
4. When replacing, make sure O-ring is properly seated on hose fitting.

CHECK ENGINE OIL

Check dip stick on engine (Figure 3). Engine holds 1.75 qt of oil. Improper fluid level will cause engine damage. See Kawasaki manual to change oil.

CHANGE ENGINE OIL FILTER

1. Follow shut-down procedure.
2. Lift hood and secure in place.
3. Remove cap from engine oil hose. Drain.
4. Remove engine oil filter.
5. Replace cap & new filter. Refill with new engine oil.

REMOVE OR REPLACE FOOT PEG

1. Insert a socket wrench into foot peg and secure bolt head.
2. Remove nut and washer.
3. Remove bolt and foot peg.
4. Replace peg before operating machine. Do not use machine without foot pegs.

CHANGE PUMP

1. Follow shut-down procedure.
2. Lift and secure hood.
3. Disconnect hydraulic lines.
4. Remove two 3/8"-16x1 pump bolts.
5. Remove pump by pulling pump straight out from bell housing.

Note: Be cautious to not lose the love joy coupler. If the "plastic spider" falls off inside the pump adapter, the technician might not notice and could reassemble the machine without it.

Maintenance

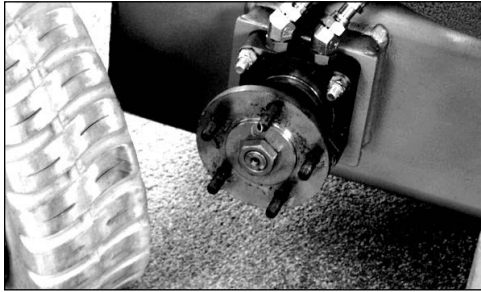


FIG. 4

CHANGE VALVE

1. Follow shut-down procedure.
2. Lift hood and secure in place.
3. Loosen hoses; unbolt valve so that it hangs down. Mark hoses to ensure proper orientation during re-attachment.
4. Re-mount new valve.
5. Transfer hoses to the new valve one at a time, ensuring correct placement.

CHANGE WHEEL MOTOR

1. Follow shut-down procedure.
2. Block up machine to remove wheel. See wheel changing below.
3. Remove wheel.
4. Loosen hoses; remove wheel-motor-securing nuts and pull out on wheel motor until it is removed.
5. Install new wheel motor.
6. Transfer hoses to new motor one at a time, ensuring correct placement.

CHANGE WHEEL

1. Jack machine up by pushing cylinder lift forward to lower and adjust the angle of the cutting head to raise machine.
2. Place blocks under Forklift Cups on the side of the machine that wheel is being changed. Make sure machine is supported properly.
4. Let cylinder down resting machine on blocks allowing rear wheel to be lifted off the floor.
5. Remove five 1/2" lug nuts with an extended arm wrench, remove wheel.
6. Replace wheel (Figure 4).
7. Replace five lug nuts and tighten, making sure lug nuts are very tight.
8. Raise cylinder to raise machine off of blocks. Remove blocks and lower machine.
9. Repeat to other side if necessary.



WARNING: WHEN DOING MAINTENANCE OR CHANGING A WHEEL, MAKE SURE MACHINE IS SUPPORTED PROPERLY OR SERIOUS INJURY COULD OCCUR.

ADDITIONAL ENGINE MAINTENANCE

See enclosed Kawasaki Manual.



CAUTION: THE BACKUP BEEPER IS ON THE MACHINE FOR SAFETY. IT IS IMPORTANT TO KEEP IT IN GOOD WORKING CONDITION. FAILURE TO DO SO COULD CAUSE BODILY INJURY.

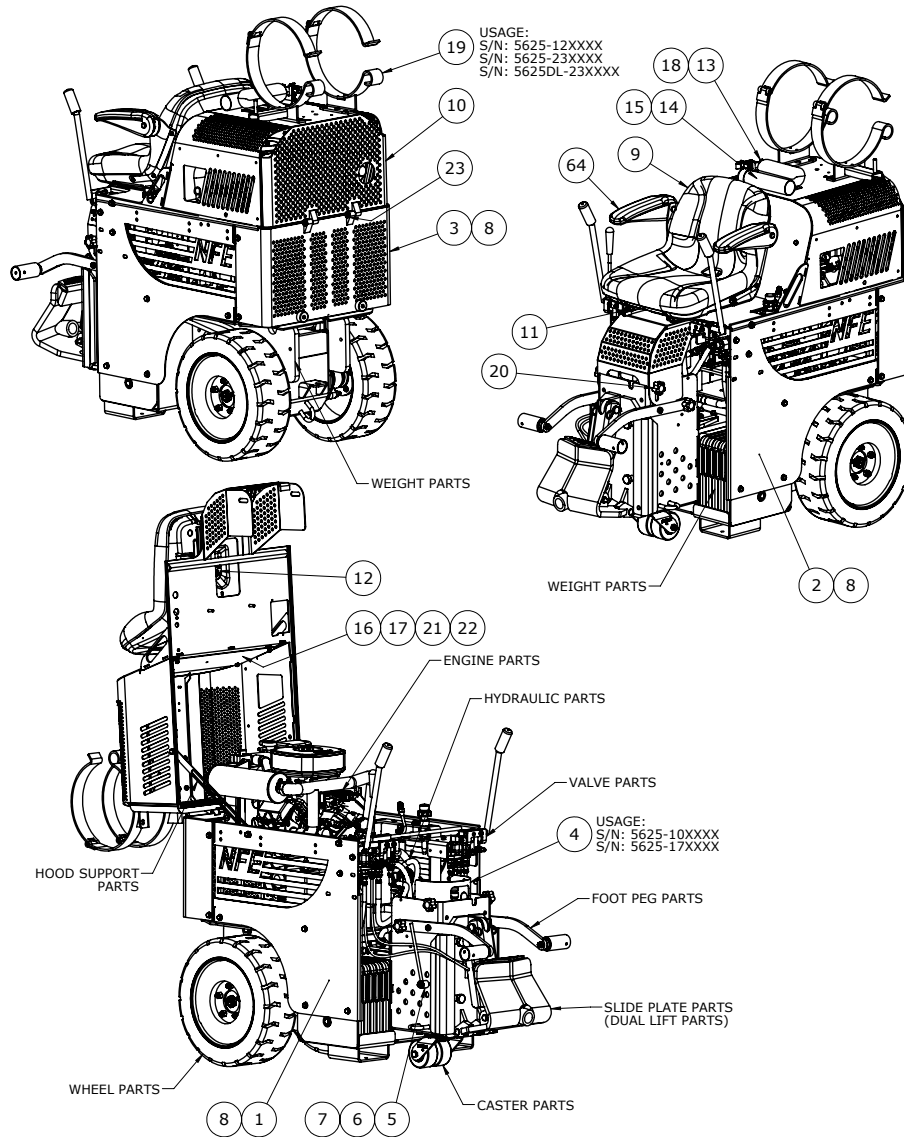
CASTER ASSEMBLY

1. Keep clean and free of debris; make sure it can move freely.
2. Give a shot of grease in grease zerk on caster as needed to keep moving freely.
3. To remove caster, machine will need to be raised. Push the cylinder lift lever forward to lower and adjust the angle of the cutting head to jack up the machine. Block up machine. Remove four bolts, pull caster off, clean/replace as needed.
4. Replace caster.
5. Replace and firmly tighten the four bolts.
6. Lower the machine.

Note: Slots in the caster assembly allow it to slide forward and backward on the mounting bolts. Ensure caster assembly is mounted as far to the rear of the machine as possible.

Parts List and Diagrams

EXTERNAL/BODY

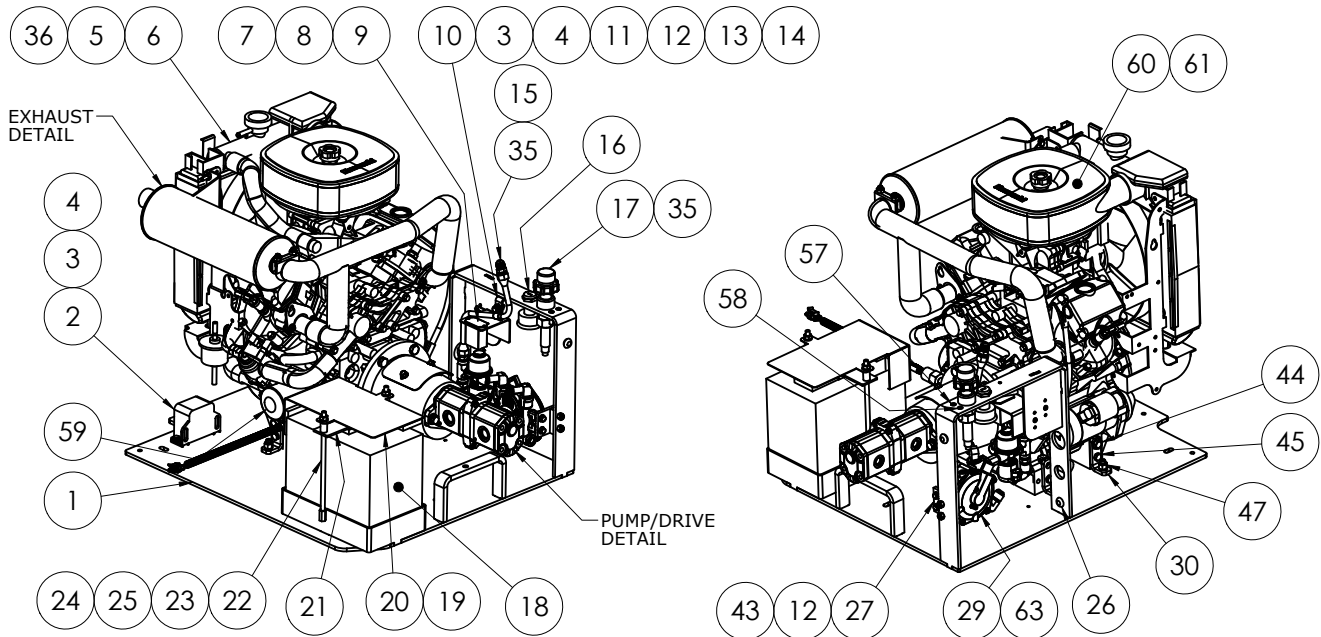


ITEM NO.	PART NUMBER	DESCRIPTION	QTY.
1	401560-SV	Panel, Side, Right, Silver Vein	1
	401560-O	Panel, Side, Right, Orange	
	401560-G	Panel, Side, Right, Green	
2	401561-SV	Panel, Side, Left, Silver Vein	1
	401561-O	Panel, Side, Left, Orange	
	401561-G	Panel, Side, Left, Green	
3	402103-SV	Shroud, Weldment, Lower Wrap, Silver Vein	1
	402103-O	Shroud, Weldment, Lower Wrap, Orange	
	402103-G	Shroud, Weldment, Lower Wrap, Green	
4	7050-P	Tank, propane	1
5	5200-603	Guide, Hose	1
6	73238	Bolt, Flange 3/8-16x1-1/2	1
7	73210	Washer, Internal/External Lock 3/8	1
8	73224	Bolt, Flange 3/8-16x1/2	16
9	5110-111	Seat, Ride-on	1
10	403132-SV	Hood Wldt, Ride-on, Silver Vein	1
	403132-O	Hood Wldt, Ride-on, Orange	
	403132-G	Hood Wldt, Ride-on, Green	
11	401631	Adjuster, Fore/Aft, Seat	1

ITEM NO.	PART NUMBER	DESCRIPTION	QTY.
12	5110-207	Switch, Seat	1
13	75006	Bracket, Fire Extinguisher	1
14	70602	Tube, Instruction Manual	1
15	70603	Cap, Instruction Tube	1
16	5600-80	Heat Shield	1
17	5200QL-13	Spacer, round, .344 X .750 X .380	4
18	75005	Extinguisher, Fire (includes Bracket)	1
19	70628	Bracket, Tank, 33 Pound, LP	1
20	401999	Knob, Adjustable, 3/4"	2
21	73008	1/4-20 Nylon Lock Nut	4
22	73076	Bolt, HHCS, 1/4-20x1	4
23	402127	Bolt, Shoulder, .500 x 1.50, 3/8-16	2
24	400321	Armrests, Kit for Plastic Seat	1

Parts List and Diagrams

BASE/ENGINE

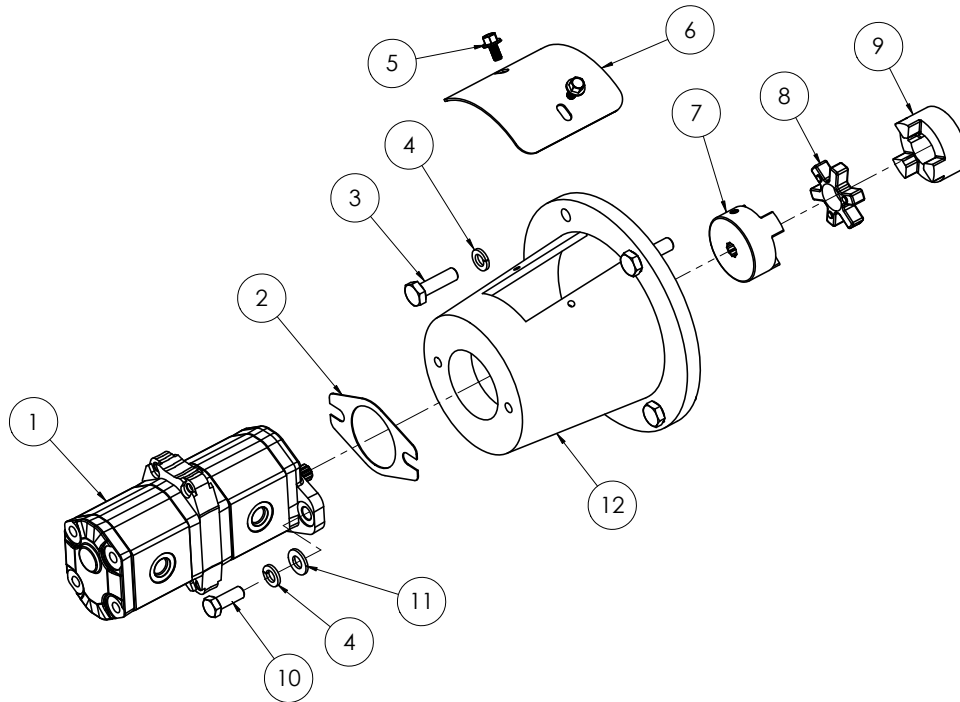


ITEM NO.	PART NUMBER	DESCRIPTION	QTY	ITEM NO.	PART NUMBER	DESCRIPTION	QTY
1	402110	Base, Motor Pod, Uni-body	1	28	400395	Bolt, HHCS, M10-1.5x35mm	4
2	5200-116	Beeper, Back-up	1	29	403220	Propane Kit	1
3	73091	Washer, Flat, Zinc, SAE 1/4	12	30	402803	Bracket, Motor, Torque Control	4
4	73005	1/4-20x1/2 HHCS	3	35	73263	Washer, Flat SAE Zinc 3/8	3
5	400144	Fan, Reverse, 25 HP	1	36*	74565	Nut, Keps 8-32	2
6	400130	Engine, 25HP, Kawasaki	1	34	73204	Washer, Lock, 3/8	6
7	74567	Screw, Phillips Pan Head M 8-32x3/8	2	35	73600	Nut, 3/4-16	2
8	5600-81	Hour Meter Bracket	1	36	402109	Bolt, Motor Base, M10 x 25 w/patch	4
9	5700-88	Meter, Hour	1	37	73013	1/4-20x1-1/4 HHCS	2
10	5200-217	Bracket, Clamp, Hose	1	38	73008	Nut, Nylock 1/4-20	2
11	73009	Nut, Hex, 1/4-20	1	39	74630	Bolt, Hex Head Cap M6-12 8.8	4
12	73027	Bolt, Wizlock, 1/4-20 X 3/4	4	40	73001	1/4-20 X 1/2 Wizlock	2
13	73002	Washer, Split Lock, 1/4"	9	41	400219	Gasket, Muffler	2
14	63-P30	Clamp, Wire 3/8	1	42	74634	Nut, Finished Hex Zinc M6x1.0	6
15	5600-68	Line, Fuel, Hard, Top Mount	1	43	5600-65	Regulator Spacer	1
16	402367	Switch, Ignition, Keyed, Sealed, Quick Connect	1	44	74650	Bolt, Hex Flange M10-25	2
17	5600-102	Cable, Control	1	45	74638	Bolt, HHCS-FT, M8-1.25x25	4
18	5600-121	Battery, 12v, 55 AGM	1	46	73254	Bolt, FSCS, 38-16x1.25	4
19	5200QL-28A	Foam, Battery Cover, 2.00 X 8.00	4	47	73207	NUT, NYLOCK, 3/8-16	4
20	400191-1	Cover, Battery, Top	1	56	401660	Screw, Hex Head Cap, M6-1.0 x 25	2
21	5600-13	Battery Hold Down	1	57	403301	Light, LED, 8mm, Green, 12V, 20mA	1
22	401418	Rod, Threaded, 5/16-18x9	2	58	403300	Light, LED, 8mm, Red, 12v, 20mA	1
23	5600-83	Spacer, Round, .375 X .500 X .875	2	59	400235	Filter, Oil, 25 HP	1
24	73303	Washer, Split Lock 5/16	6	60*	400217	Filter, Air, Element , External	1
25	73356	Nut, Hex, 5/16-18	2	61*	400218	Filter, Air, Element	1
26	74702	Grommet, 3/8"ID, 3/4"OD 9307K	2	62*	402366	Harness, Wiring, Motor Pod, Quick Connect	1
27	5600-53	Regulator Bracket	1	63	403306	Regulator, Propane, 4 PSI	

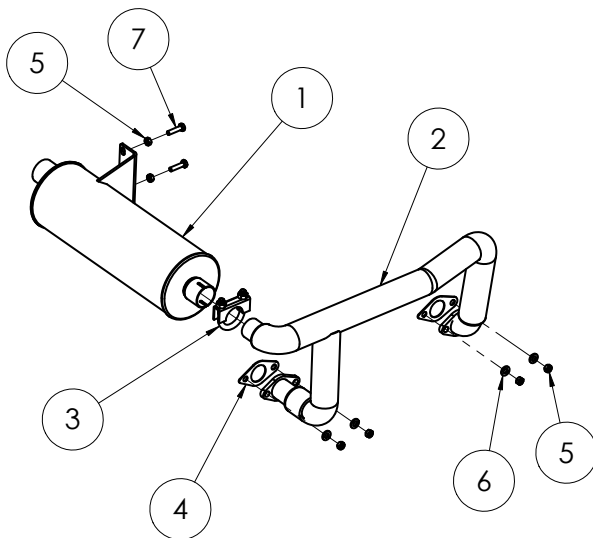
*NOT SHOWN

Parts List and Diagrams

BASE/ENGINE



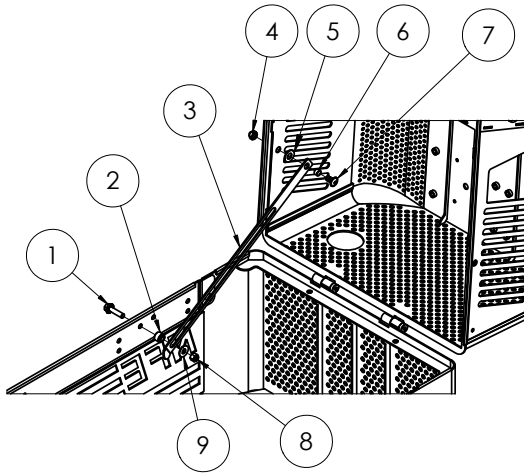
ITEM NO.	PART NUMBER	DESCRIPTION	QTY
1	70905-D7	Pump, Double, Marzocchi	1
2	5200-1G	Gasket, Pump	1
3	400395	Bolt, HHCS, M10-1.5x35mm	4
4	73204	Washer, Lock, 3/8	6
5	73001	1/4-20 X 1/2 Wizlock	2
6	401414	Cover, Bell Housing	1
7	70951	Coupler, Lovejoy, Splined	1
8	70953	Spider	1
9	70954	Coupler, 1-1/8"	1
10	73201	Screw, Hex Head Cap, 3/8-16 x 1	2
11	73263	Washer, Flat SAE Zinc 3/8	2
12	400179	Housing, Bell Pump, Machined	1



ITEM NO.	PART NUMBER	DESCRIPTION	QTY
1	403214	Muffler, Exhaust, 25hp, Foil Wrapped	1
2	403215	Manifold, Exhaust, 25hp, Foil Wrapped	1
3	403216	Clamp, U-bolt, 1-5/16" W x 2-1/16" H x 5/16-18	1
4	400219	Gasket, Muffler	2
5	74634	Nut, Finished Hex Zinc M6x1.0	6
6	73303	Washer, Split Lock 5/16	4
7	401660	Screw, Hex Head Cap, M6-1.0 x 25	2

Parts List and Diagrams

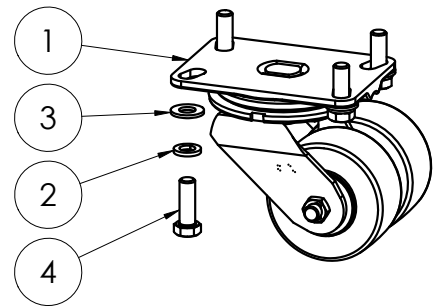
HOOD SUPPORT



ITEM NO.	PART NUMBER	DESCRIPTION	QTY.
1	73238	Bolt, Flange 3/8-16x1-1/2	1
2	401963	Spacer, Hood Strap, Body	1
3	400172	Support, Hood	1
4	400189	Nut, Acorn, Nickel Plated, 3/8-16	1
5	401452	Washer, Flat, 1/2", SAE	1
6	402116	Spacer, Hood Strap, Hood	1
7	73231	Bolt, Button Head, Flange, 3/8-16	1
8	73207	Nut, NyLock 3/8-16	1
9	73264	Washer, Flat, Zinc USS 3/8	1

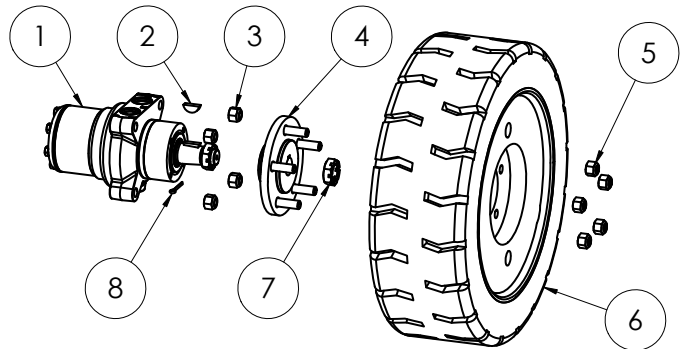
CASTER

ITEM NO.	PART NUMBER	DESCRIPTION	QTY.
1	5200-194	Caster, Double Gray	1
2	73403	Washer, Split lock 1/2	4
3	73424	Washer, Flat, Zinc SAE 1/2	4
4	73427	Bolt, Hex Head Cap 1/2-13x1-1/2	4



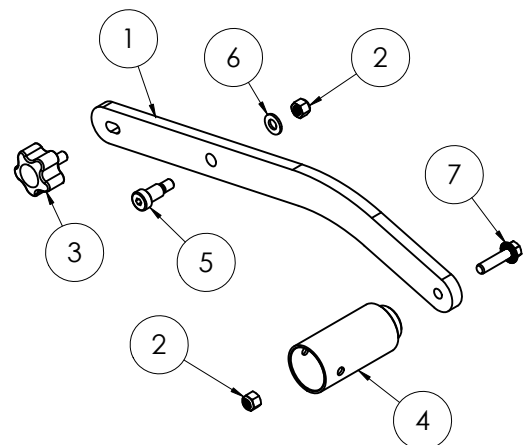
WHEELS

ITEM NO.	PART NUMBER	DESCRIPTION	QTY.
1	400133	Motor, Wheel, Hydraulic, 10mm	1
2	73047	1/4 x 1 Woodruff Key	1
3	73402	Nut, Nylock 1/2-13	4
4	5110-117	Wheel, Hub	1
5	73430	Nut, NyLock 1/2-20	5
6	5600-300	Wheel, Rim and Tire, 18"	1
7	5110-117-2	Hub Nut	1
8	401433	Pin, Cotter 1/8 x 1.75	1



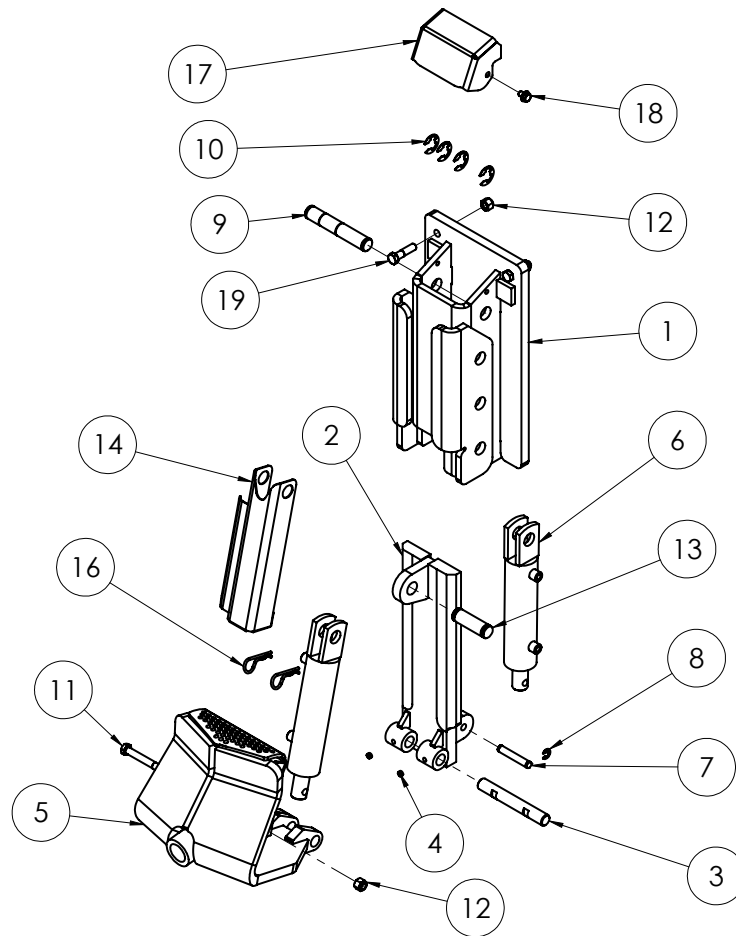
FOOT PEGS

ITEM NO.	PART NUMBER	DESCRIPTION	QTY.
1	402298	Bracket, Pivot, Footrest	1
2	73207	NUT, NYLOCK, 3/8-16	2
3	401999	Knob, Adjustable, 3/4"	1
4	5110-180	Peg, Foot	1
5	402460	Bolt, Shoulder, .500 x .75, 3/8-16	1
6	73263	WASHER, FLAT SAE ZINC 3/8	1
7	73238	Bolt, Flange 3/8-16x1-1/2	1



Parts List and Diagrams

DUAL LIFT



ITEM NO.	PART NUMBER	DESCRIPTION	QTY.
1	402423	Housing, Hydraulic Adjustment, Wldt	1
2	402432	Slide Plate, Hydraulic Adjustment, Wldt	1
3	401429	Pin, Lower Cutting Head Support	1
4	401876	SSS, 3/8-24 x .25, Black Oxide	2
5	402440	Tooling Holder, Weldment	1
6	5110-250	Cylinder NN16	2
7	6500-31	Pin Lower Middle	1
8	80084	E-Clip, 1/2" shaft	2
9	402542	Pin, Upper, Hydraulic Cylinder	1
10	80083	E-Clip, 1" shaft	4
11	400132	Bolt, Hex Head, 1/2-13 x 4, Grade 8	1
12	73402	Nut, Nylock 1/2-13	3
13	402576	Pin, Cylinder/Guard, Upper	1
14	402574	Shield, Cylinder	1
15	400296*	Gasket, EPDM Foam	1
16	73536	5/8 Hitch Pin Clip	2
17	402513	Cover, Hydraulic Adjustment, Housing	1
18	73224	Bolt, Flange 3/8-16x1/2	2
19	73413	Bolt, Hex Head 1/2-13x2	2

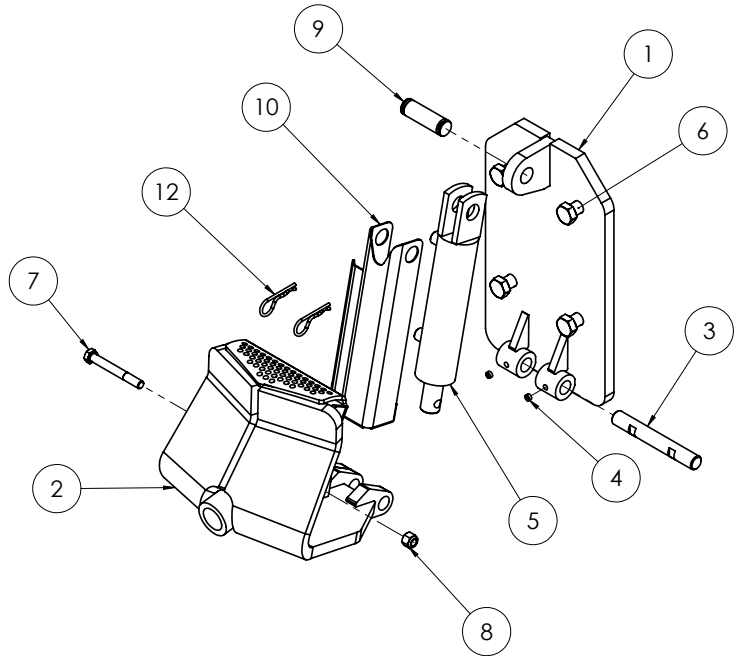
*-NOT SHOWN

Parts List and Diagrams

MANUAL LIFT

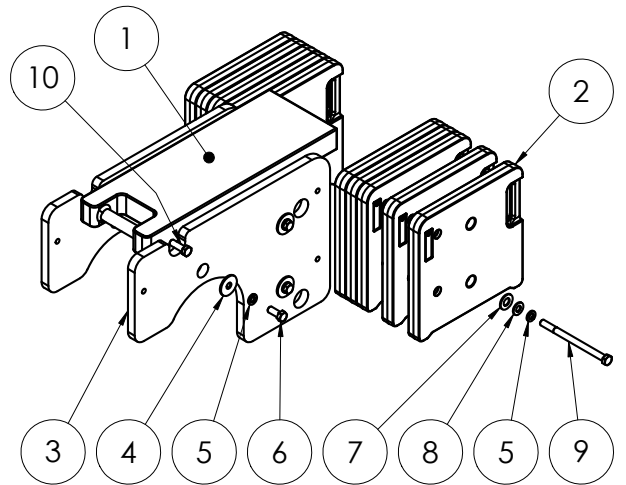
ITEM NO.	PART NUMBER	DESCRIPTION	QTY.
1	402410	Slide Plate, Steel, Manual Adjustment	1
2	402440	Tooling Holder, Weldment	1
3	401429	Pin, Lower Cutting Head Support	1
4	401876	SSS, 3/8-24 x .25, Black Oxide	2
5	5110-250	Cylinder NN16	1
6	73605	Bolt, Hex Head, Grade 8, 3/4-10x1-1/2	4
7	400132	Bolt, Hex Head, 1/2-13 x 4, Grade 8	1
8	73402	Nut, Nylock 1/2-13	1
9	402576	Pin, Cylinder/Guard, Upper	1
10	402574	Shield, Cylinder	1
11	400296*	Gasket, EPDM Foam	1
12	73536	5/8 Hitch Pin Clip	2

*-NOT SHOWN

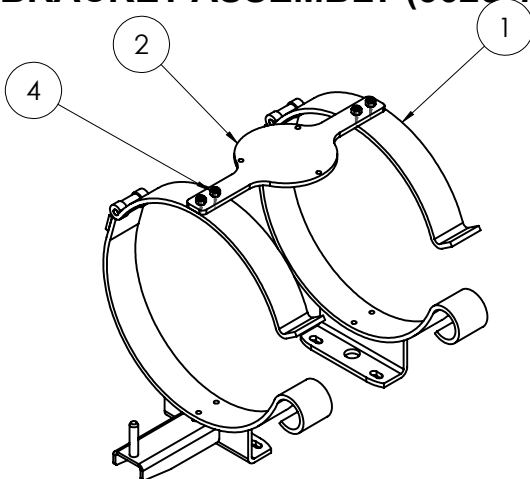


WEIGHTS

ITEM NO.	PART NUMBER	DESCRIPTION	QTY.
1	5110-404	Bottom Weight	1
2	74854	Weight, Pocket, Cast, Ride On	10
3	5600-37	Side Weight	2
4	73399	Washer, Extra Heavy Fender 1/2"	6
5	73403	Washer, Split lock 1/2	8
6	73406	Bolt, Hex Head Cap 1/2-13x1-1/4	6
7	73531	Washer, Flat Zinc, SAE 5/8	2
8	73424	Washer, Flat, Zinc SAE 1/2	2
9	73414	Bolt, HHCS, 1/2-13x7	2
10	73427	Bolt, Hex Head Cap 1/2-13x1-1/2	1



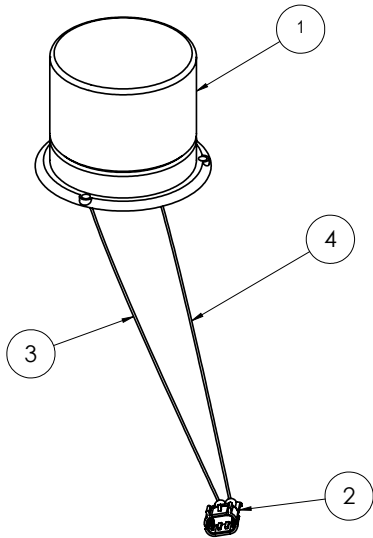
BRACKET ASSEMBLY (5625-13XXX ONLY)



ITEM NO.	PART NUMBER	DESCRIPTION	QTY.
1	402136	Bracket, Tank, 33 Pound, LP, MOD	1
2	402105	Bracket, Light, AUS	1
3	73029	Screw, Flat Head Socket Cap, 1/4-20 x 3/4, Black Oxide	4
4	73008	Nut, Nylock 1/4-20	4

Parts List and Diagrams

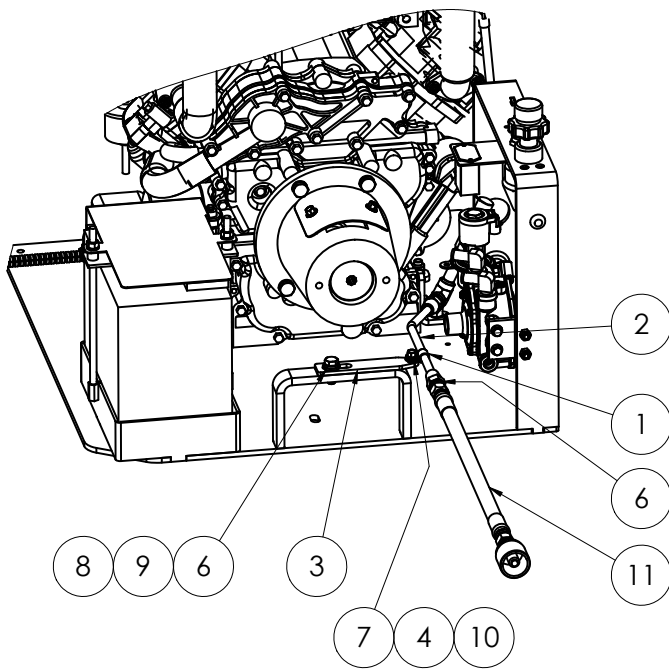
BEACON ASSEMBLY (5625-13XXXX ONLY)



ITEM NO.	PART NUMBER	DESCRIPTION	QTY.
1	70629	Light, Flashing	1
2	72790	Connector, Male, 2 Pole	1
3	72568	Wire, Primary, 14 GPT-500-RED (TSC)	3
4	72569	Wire, Primary, 14 GPT-500-BLK (TSC)	3
5	72770	Terminal, 14-12 Gauge, Male	2 *
6	72775	Terminal, 18-16 Gauge, Female	2 *
7	72815	Terminal Connector, Female, Push-On	1 *
8	72836	Terminal, Nylon, B, Butt, 16-14	2 *
9	72873	Clamp, Cable 3/8	2 *
10	72887	Loom, Convoluted Split 1/2"	3.5 *
11	72892	Lock, Secondary, TPA, 2 Pole	1 *
12	72931	Seal, Cable	1 *
13	73222	Screw, Hex Head Cap, Flange, 3/8-16 x 1	4 *

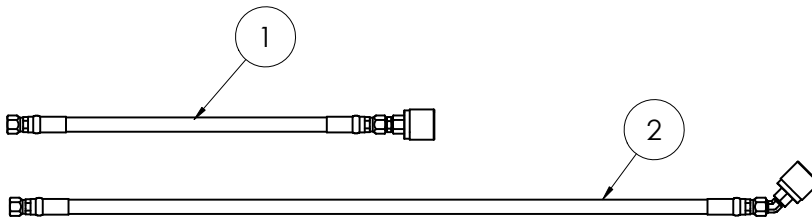
* - NOT SHOWN

FRONT FUEL LINE



ITEM NO.	PART NUMBER	DESCRIPTION	QTY.
1	63-P30	Clamp, Wire 3/8	1
2	403166	Line, Fuel, Hard, Front, Bent	1
3	5600-82	Bracket, Propane Line	1
4	73002	Washer, Split Lock, 1/4"	1
5	73027	Bolt, Wizlock, 1/4-20 X 3/4	1
6	73263	Washer, Flat SAE Zinc 3/8	1
7	73091	Washer, Flat, Zinc, SAE 1/4	1
8	73201	Screw, Hex Head Cap, 3/8-16 x 1	1
9	73204	Washer, Lock, 3/8	1
10	73001	1/4-20 X 1/2 Wizlock	3
11	403218	Hose, LPG, Front-Mount	1

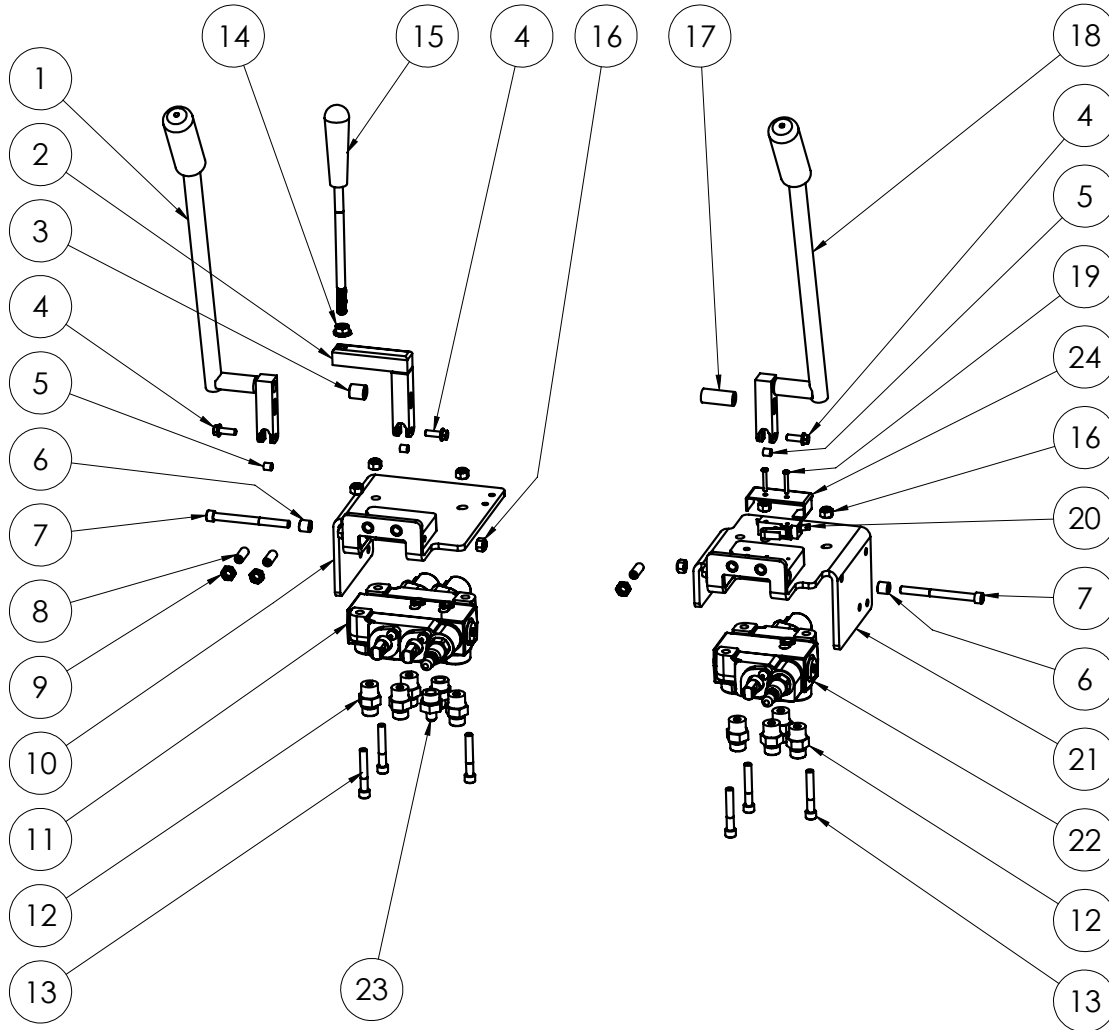
THESE ARE THE OPTIONAL LPG HOSES BASED ON TOP OR FRONT MOUNT LPG TANKS



ITEM NO.	PART NUMBER	DESCRIPTION	QTY.
1	403218	Hose, LPG, Front-Mount	1
2	403219	Hose, LPG, Top-Mount	1

Parts List and Diagrams

LEVERS (MANUAL LIFT)

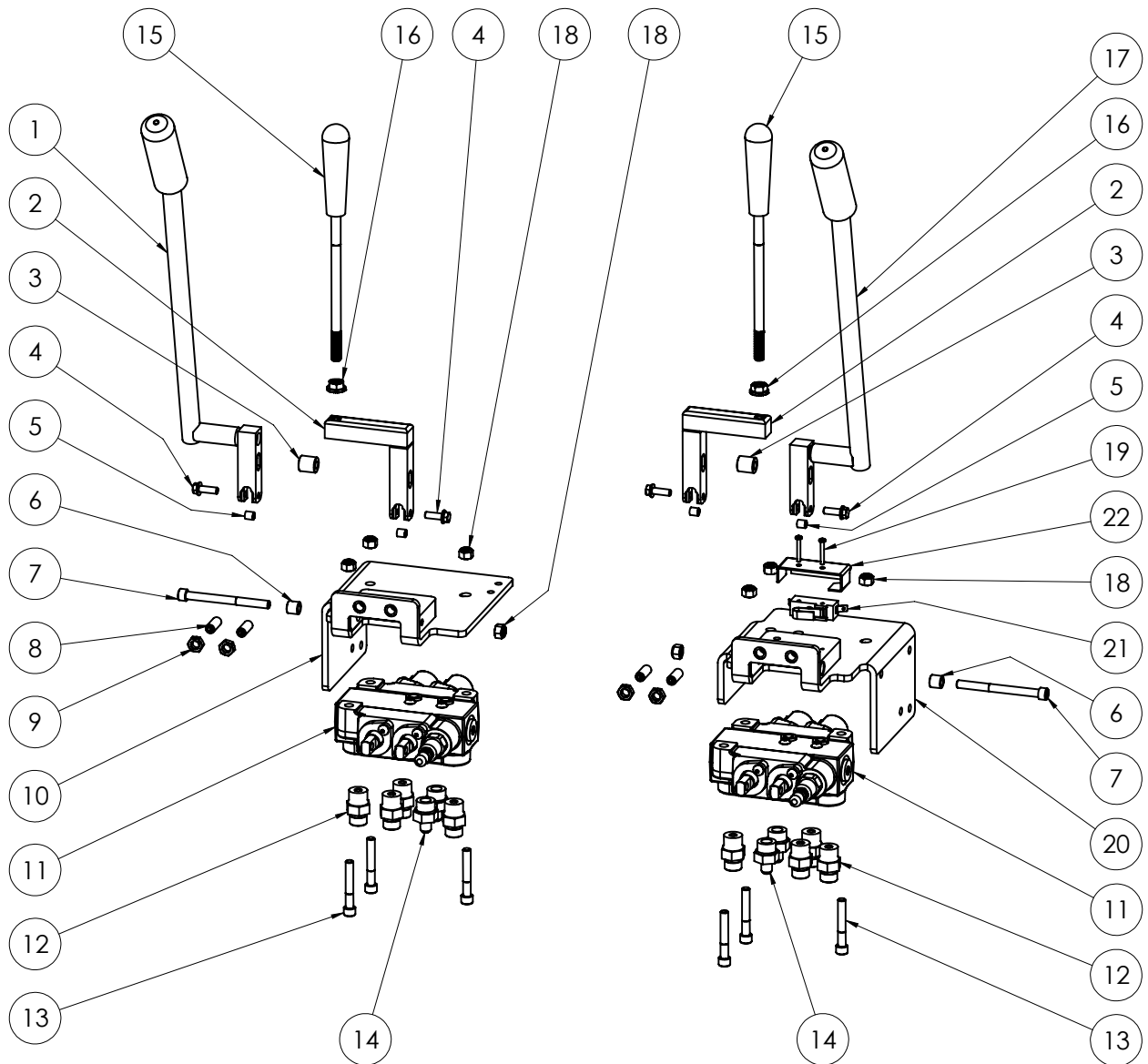


ITEM NO.	PART NUMBER	DESCRIPTION	QTY.
1	402416	Assembly, Valve Handle, Right	1
2	401797	Bracket, Universal, Lever	1
3	401408	Spacer, Round, .323 X .625 X .675	1
4	73027	Bolt, Wizlock, 1/4-20 X 3/4	3
5	401604	Bushing, Lever, Hydro Valve	3
6	402227	Sleeve, Take-up, Valve Brkt	2
7	73321	Bolt, SHCS, 5/16-18x3.5	2
8	73227	Screw, Set 3/8-24x1	3
9	73235	Nut, Hex Jam 3/8-24	3
10	401796	Bracket Wldt, Valve, RH	1
11	401832	Valve, Metered, Dual Spool, Low PSI	1

ITEM NO.	PART NUMBER	DESCRIPTION	QTY.
12	400034	Fitting, FF1231-06-08	8
13	73320	Bolt, Socket Head Cap 5/16-18x2	6
14	73211	Nut, Flange, Serrated, 3/8-16	1
15	5700-60	Handle, Valve Adjustment	1
16	73322	Nut, Nyloc, 5/16-18	7
17	401947	Spacer, Round, .323 X .625 X 1.455	1
18	402415	Assembly, Valve Handle, Left	1
19	74517	Screw, PPH-MS, 6-32x1	2
20	403064	Switch, Back-up Beeper	1
21	401795	Bracket Wldt, Valve, LH	1
22	401833	Valve, Metered, Single Spool, Low PSI	1
23	400137	Fitting, 1/2 - 1/4, JIC	2
24	402949	Cover, Switch, Back-Up	1

Parts List and Diagrams

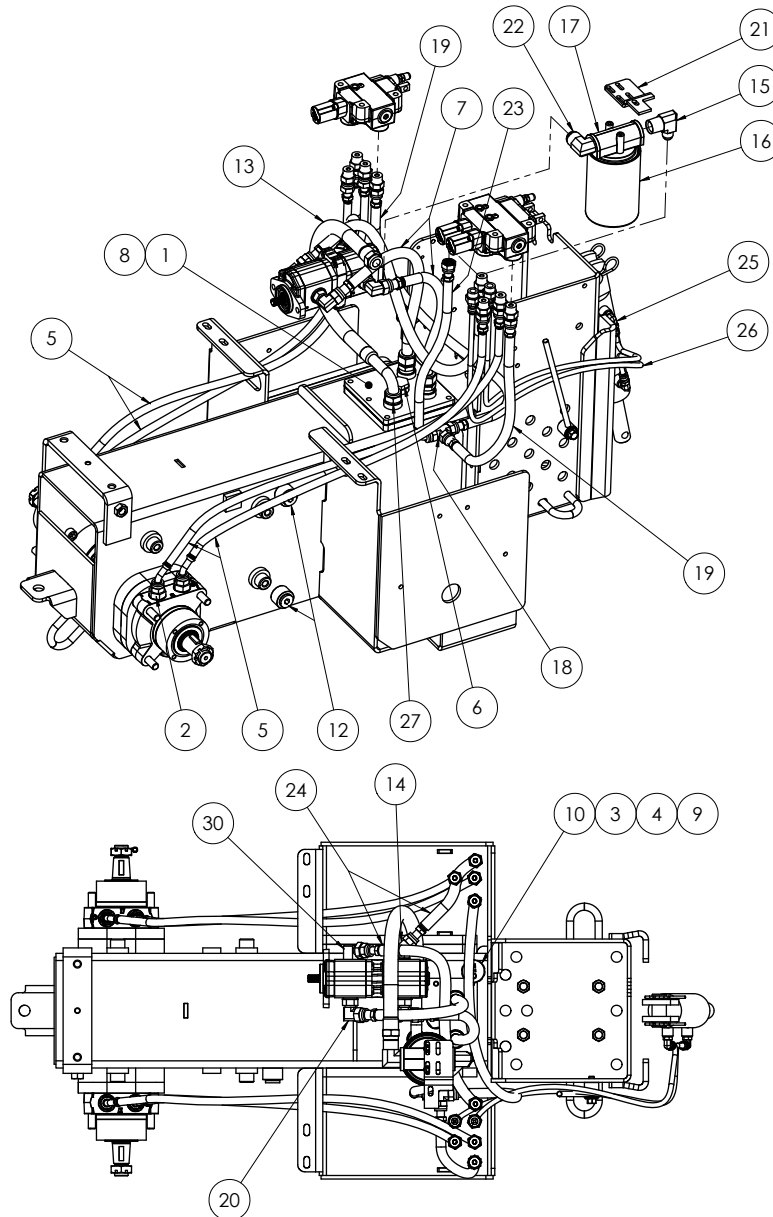
LEVERS (DUAL LIFT)



ITEM NO.	PART NUMBER	DESCRIPTION	QTY.	ITEM NO.	PART NUMBER	DESCRIPTION	QTY.
1	402416	Assembly, Valve Handle, Right	1	12	400034	Fitting, FF1231-06-08	8
2	401797	Bracket, Universal, Lever	2	13	73320	Bolt, Socket Head Cap 5/16-18x2	6
3	401408	Spacer, Round, .323 X .625 X .675	2	14	400137	Fitting, 1/2 - 1/4, JIC	4
4	73027	Bolt, Wizlock, 1/4-20 X 3/4	4	15	5700-60	Handle, Valve Adjustment	2
5	401604	Bushing, Lever, Hydro Valve	4	16	73211	Nut, Flange, Serrated, 3/8-16	2
6	402227	Sleeve, Take-up, Valve Brkt	2	17	402415	Assembly, Valve Handle, Left	1
7	73321	Bolt, SHCS, 5/16-18x3.5	2	18	73322	Nut, Nyloc, 5/16-18	8
8	73227	Screw, Set 3/8-24x1	4	19	74517	Screw, PPH-MS, 6-32x1	2
9	73235	Nut, Hex Jam 3/8-24	4	20	401795	Bracket Wldt, Valve, LH	1
10	401796	Bracket Wldt, Valve, RH	1	21	403064	Switch, Back-up Beeper	1
11	401832	Valve, Metered, Dual Spool, Low PSI	2	22	402949	Cover, Switch, Back-Up	1

Parts List and Diagrams

HYDRAULICS

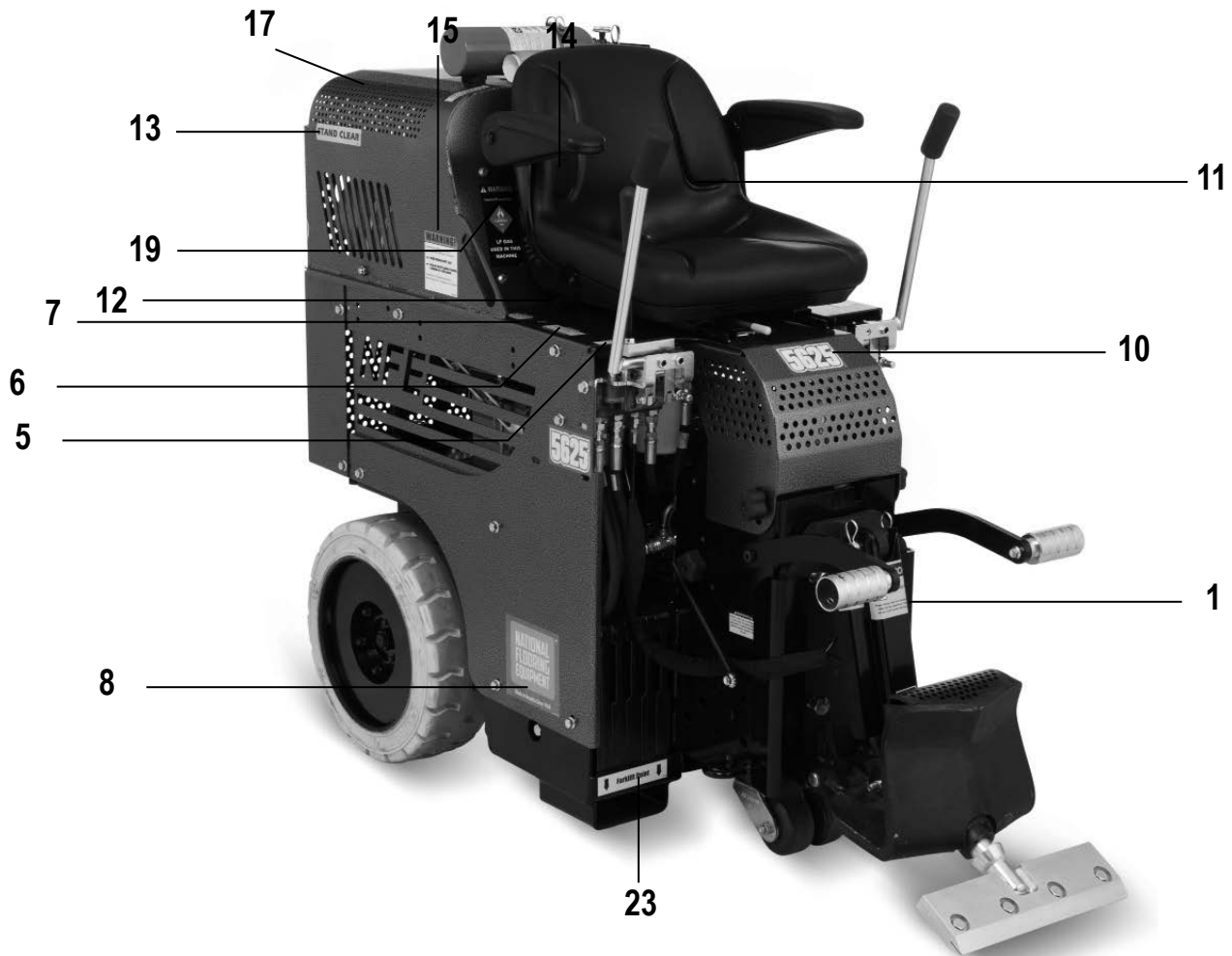


ITEM NO.	PART NUMBER	DESCRIPTION	QTY.	ITEM NO.	PART NUMBER	DESCRIPTION	QTY.
1	401574	Plate, Suction	1	20	6280-118	Fitting, Suction Hose to Pump	2
2	5110-114-2	Fitting, Wheel Motor	4	21	70612	Bracket, Filter	1
3	5110-234-1	Pipe, Relief Valve	1	22	70653	Fitting, 90 Degree	1
4	5110-234	Coupler, Relief Valve	1	23	70351	Hose, Hydraulic, 3/8 x 10, F/90F	1
5	5200-261	Hose, Hydraulic, 3/8 x 40, F/45F	4	24	5700-76	Hose, Hydraulic, 3/8 x 26, F/F	2
6	5700-67	Plug, Tank	1	25	72801	Fitting, 90 Deg., 1/4"	2
7	5700-77	Hose, Hydraulic, 1/2 x 13.5, M/F	2	26	5110-267	Hose, Assembly, Hydraulic, 1/8 x 31.75, F/F	1
8	5700-93	Gasket	1	27	70652	Fitting	1
9*	70655	Pipe, Male, 10"x3/4"	1	28*	5110-237	Filter Screen	2
10	80058	Breather, W/6" Dip Stick	1	29*	400177	Oil	6
11*	400099	Hose, Hydraulic, Suction, 3/4 x 20, F/M	2	30	72816	Fitting, Elbow, 90 Degree, 3/8"	1
12	5110-157	Drain, Filler-Plug	2				
13	401635	Hose, Hydraulic, Suction, 3/4 x 20, F/M	1				
14	5110-264	Fitting, Valve, 45 degree	1				
15	5700-64	Fitting, Filter	1				
16	5700-65	Filter	1				
17	5700-66	Filter Head	1				
18	5700-70	T-Fitting	1				
19	5700-72	Hose, Hydraulic, 3/8 x 21, F/F	2				

*NOT SHOWN

Parts List and Diagrams

LABELS

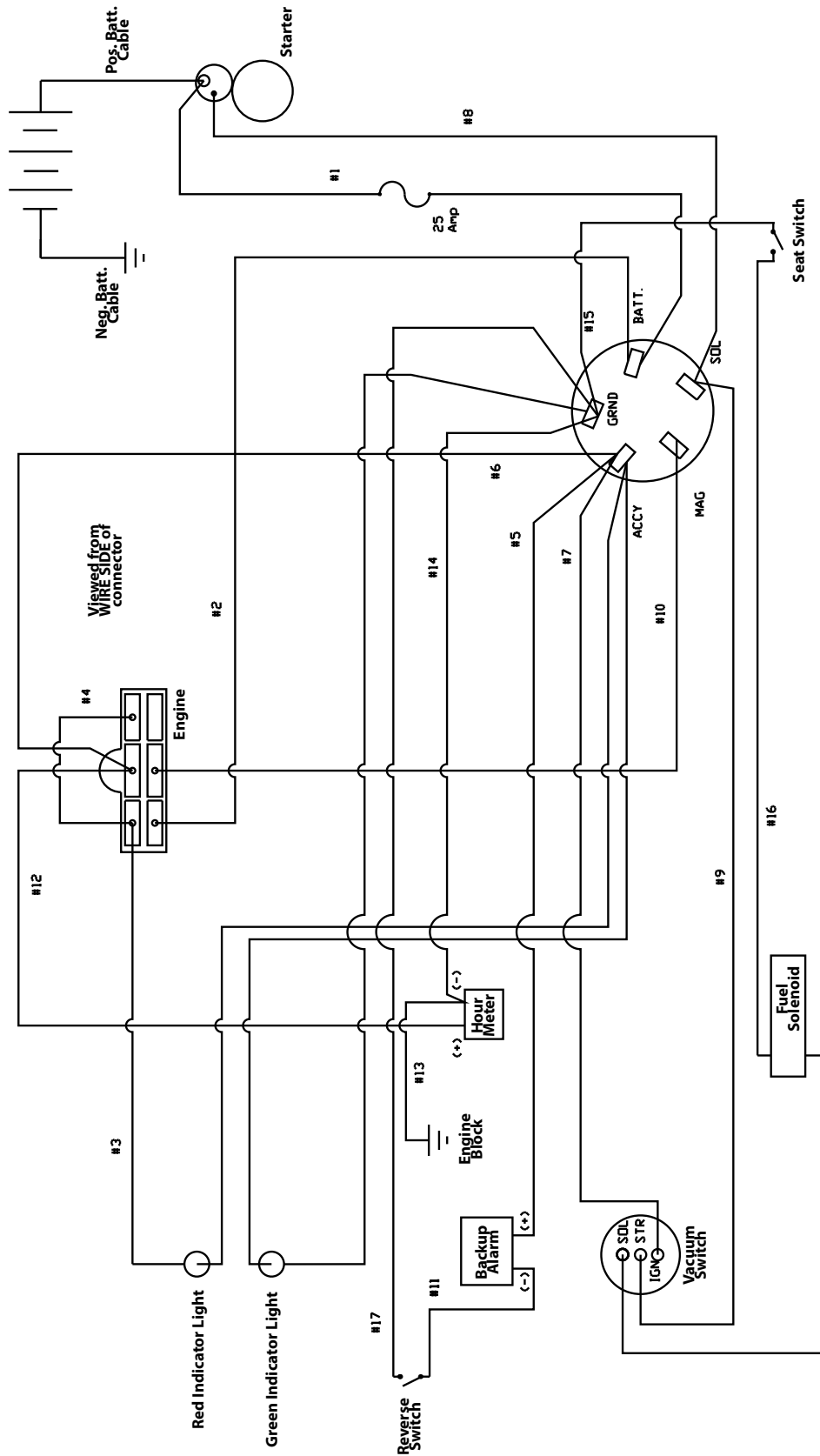


PART#	DESCRIPTION	QTY	PART#	DESCRIPTION	QTY
1	L33B CAUTION MOVING PARTS LABEL	1	14	L33C INSTRUCTION MANUAL LABEL	1
2	L33D* AUTHORIZED PERSONNEL ONLY LABEL	1	15	L66 CAUTION LABEL	1
3	L95F* FLUID LEAK LABEL	2	16	L142* TRAILER HITCH LABEL	1
4	L98* BLADE LIFT LABEL	1	17	L165 LARGE RIDE-ON LABEL W/BLADE INFO	1
5	L106 PINCH POINT LABEL	3	18	402462* NATIONAL LABEL, 3 X 3	1
6	L118 OPERATOR MUST BE SEATED LABEL	2	19	L256 AIR FILTER LABEL	2
7	L137 DISARM MACHINE LABEL	2	20	L318* DO NOT TOUCH LABEL	1
8	402464 NATIONAL LABEL, 5.5 X 6	2	21	L319* BURN HAZARD LABEL	1
9	L223* PATENT NUMBER LABEL	1	22	L01* CAUTION 3 X 1/2	1
10	402012 5625 STOCK NUMBER LABEL	2	23	402149 FORKLIFT POINT LABEL	2
11	L314 LP GAS LABEL	1	24	402376* RIDE-ON LIFT LABEL	1
12	L315 CARBON MONOXIDE LABEL	1			
13	L08-1 STAND CLEAR LABEL	2			

* NOT SHOWN

Parts List and Diagrams

WIRING



Warranty

National Flooring Equipment Inc. (referred to as "the Company") warrants that each new unit manufactured by The Company, to be free from defects in material and workmanship in normal use and service for a period of twelve (12) months from date of shipment from the Company. For administrative ease, will honor warranty for a period of fifteen (15) months from date of shipment from the company. Accessories or equipment furnished and installed on the product by the Company but manufactured by others, including but not limited to: engines, motors, electrical components, transmissions etc., shall carry the accessory manufacturers own warranty. Battery warranties are prorated over the warranty period. Customer is responsible for the inspection of equipment / parts upon delivery. Freight damages reported beyond authorized time frame will not be honored.

The Company, at its determination of defect, will repair or replace any product or part deemed to be defective in material or workmanship within specified warranty time period. All product determinations and / or repairs will take place at the designated Company repair facility, or at a certified warranty location designated by the Company. The Company will coordinate and be responsible for all freight expenses associated with valid warranty claims. Freight and shipping expenses associated with abuse or misuse will be back charged to the Distributor/Customer. The Company reserves the right to modify, alter or improve any part / parts without incurring any obligation to replace any part / parts previously sold without such modified, altered or improved part / parts. In no event shall the seller or manufacturer of the product be liable for special, incidental, or consequential damages, including loss of profits, whether or not caused by or resulting from the negligence of seller and / or the manufacturer of the product unless specifically provided herein. This warranty shall not apply to any products or portions there of which have been subjected to abuse, misuse, improper installation or operation, lack of recommended maintenance, electrical failure or abnormal conditions and to products which have been tampered with, altered, modified, repaired, reworked by anyone not approved or authorized by the Company or used in any manner inconsistent with the provisions of the above or any instructions or specifications provided with or for the product. Any and all unauthorized onsite warranty work conducted by unauthorized personnel or any outside person(s), is not covered by the Company unless the work has been pre-authorized by a predetermined manufacturer representative. This excludes wearable parts and/or consumables.

Defective or failed material or equipment shall be held at the purchaser's premises until authorization has been granted by the Company to return or dispose of defective products. Products returned for final inspection must be returned with a manufacturer authorized Return Material Authorization (RMA). Any unauthorized return of equipment will be declined at the dock by the Company. Any non-approved items returned with approved returned items are subject to rejection and will not be credited. Credit will be issued for material found to be defective upon the Company's inspection based on prices at time of purchase.

TO OBTAIN SERVICE CONTACT NATIONAL FLOORING EQUIPMENT, INC. TOLL FREE AT 800-245-0267 FOR A REPAIR AUTHORIZATION NUMBER. COD FREIGHT RETURNS WILL NOT BE ACCEPTED. FREIGHT COLLECT SHIPMENTS WILL NOT BE ACCEPTED. WARRANTY REPAIRS MUST BE ACCOMPANIED BY DATE OF PURCHASE RECEIPT AND A RETURN/ REPAIR AUTHORIZATION NUMBER.

RETURN/REPAIR AUTHORIZATION NUMBER: _____

MACHINE SERIAL NUMBER: _____



9250 Xylon Avenue N • Minneapolis, MN 55445 • U.S.A.
Toll-free 800-245-0267 • Phone 763-315-5300 • Fax 800-648-7124 • Fax 763-535-8255
Web Site: www.nationalequipment.com • E-Mail: info@nationalequipment.com