

3474 HEPA DUST COLLECTOR

INSTRUCTION MANUAL

115 Volt



Read Manual Before Operating Machine



9250 XYLON AVENUE N • MINNEAPOLIS, MN 55445 • U.S.A.
PH 800-245-0267 • PH 763-315-5300 • FAX 800-648-7124 • FAX 763-535-8255
WEB SITE: www.nationalequipment.com • E-MAIL: info@nationalequipment.com

TABLE OF CONTENTS

■ Table of Contents	2
■ Notice	3
■ Rules for Safe Operation	4-7
■ Safety Warning	8
■ Procedure	9-10
•Unpacking	9
•Function	9
•Use.....	9
•Replacing Canister Bag	9
•Filter Change	10
•Purge Vac	10
■ Maintenance	11-12
•Maintaining Equipment.....	11
•Cleaning	11
•Repairs	11
•Service	12
■ Troubleshooting	13
■ Specifications	14
■ Part Numbers & Diagram	15-16
■ Accessories	17
■ Guarantee.....	18
■ Return Sheet	19

NOTICE

These instructions are only for the National 3474 HEPA Dust Collector.

The 3474 Dust Collector can only be used with dry, non-explosive material.

The 3474 Dust Collector has been designed to clean construction areas and be connected to small electrical machines such as drills, etc.

National will not be held responsible if the dust collector is used for other applications or been used in ways other than those outlined in this instruction manual.

Pay particular attention to the safety regulations.

Read the complete instruction manual before using the 3474 HEPA Dust Collector.

All spare parts use the the 3474 must be those specified by National Flooring Equipment, Inc.

RULES FOR SAFE OPERATION

READ AND SAVE ALL INSTRUCTIONS FOR FUTURE USE. Before use, be sure everyone operating this equipment reads and understands this manual as well as any labels packaged with or attached to the tool.

- 1. KNOW YOUR EQUIPMENT:** Read this manual carefully to learn equipment applications and limitations as well as potential hazards associated with this type of equipment.
- 2. GROUND YOUR TOOL:** See Grounding.
- 3. AVOID DANGEROUS ENVIRONMENTS:** Do not use in rain, damp or wet locations, or in the presence of explosive atmospheres (gaseous fumes, dust or flammable materials). Remove materials or debris that may be ignited by sparks.
- 4. KEEP WORK AREA CLEAN AND WELL LIT:** Cluttered, dark work areas invite accidents.
- 5. DO NOT USE ON STEPS:**
- 6. DRESS PROPERLY:** Do not wear loose clothing.
- 7. USE SAFETY EQUIPMENT:** Everyone in the work area should wear safety goggles or glasses complying with current safety standards. Wear hearing protection during extended use and a dust mask for dusty operations.
- 8. KEEP BYSTANDERS AWAY:** Children and bystanders should be kept at a safe distance from the work area to avoid distracting the operator and contacting the tool or extension cord. Operator should be aware of who is around them and their proximity.
- 9. PROTECT OTHERS IN THE WORK AREA:** Provide barriers or shields as needed to protect others from debris.
- 10. USE PROPER ACCESSORIES:** Using accessories that are not recommended may be hazardous. Be sure accessories are properly installed and maintained. Do not delete a guard or other safety device when installing an accessory or attachment.
- 11. CHECK FOR DAMAGED PARTS:** Inspect guards and other parts before use. Check for misalignment, binding of moving parts, improper mounting, broken parts and any other conditions that may affect operation. If abnormal noise or vibration occurs, turn the tool off immediately and have the problem corrected before further use. Do not use damaged equipment. Tag damaged tools "DO NOT USE" until repaired. A guard or other damaged parts should be properly repaired or replaced. For all repairs, insist on only identical National replacement parts.
- 12. REMOVE ALL ADJUSTING KEYS AND WRENCHES:** Make a habit of checking that the adjusting keys, wrenches, etc. are removed from the tool before turning it on.
- 13. GUARD AGAINST ELECTRIC SHOCK:** Prevent body contact with grounded surfaces such as pipes, radiators, ranges and refrigerators. Before use always check the work area for hidden wires or pipes. Use a Ground Fault Circuit Interrupter (GFCI) to reduce shock hazards.
- 14. AVOID ACCIDENTAL STARTING:** Be sure equipment is turned off before plugging it in. Do not use a tool if the power switch does not turn the tool on and off.
- 15. DO NOT FORCE EQUIPMENT:** Equipment will perform best at the rate for which it was designed.

RULES FOR SAFE OPERATION

16. **DO NOT ABUSE CORD:** Never unplug by yanking the cord from the outlet. Pull plug rather than cord to reduce the risk of damage. Keep the cord away from heat, oil, sharp objects, cutting edges and moving parts.
17. **STAY ALERT:** Watch what you are doing, and use common sense. Do not use when you are tired, distracted or under the influence of drugs, alcohol or any medication causing decreased control.
18. **STARTING MACHINE:** On/off switch must be in off position before connecting to power source.
19. **DO NOT DEFEAT OR ALTER A SWITCH OR SAFETY DEVICE**
20. **UNPLUG EQUIPMENT:** When it is not in use, unplug tool before changing accessories or performing recommended maintenance.
21. **MAINTAIN EQUIPMENT CAREFULLY:** Keep handles dry, clean and free from oil and grease. Periodically inspect tool cords and extension cords for damage. Have damaged parts repaired or replaced.
22. **STORE IDLE EQUIPMENT:** When not in use, store in a dry, secured place. Keep away from children.
23. **MAINTAIN LABELS AND NAMEPLATES:** These carry important information. If unreadable or missing, contact National for a free replacement.
24. **DO NOT DROP.**

⚠ WARNING: Exposure to dust may cause respiratory ailments. Use approved NIOSH or OSHA respirators, safety glasses or face shields, gloves and protective clothing. Provide adequate ventilation to eliminate dust, or to maintain dust level below the Threshold Limit Value for nuisance dust as classified by OSHA.

⚠ WARNING: Always wear respirator protection, appropriate for the application, as specified by OSHA regulations and your employer. Never operate or maintain equipment before reading and understanding the instructions for operation and maintenance. Obey all safety signs and instructions while operating or maintaining equipment.

RULES FOR SAFE OPERATION

GROUNDING

⚠ WARNING: Improperly connecting the grounding wire can result in the risk of electric shock. Check with a qualified electrician if you are in doubt as to whether the outlet is properly grounded. Do not modify the plug provided with the tool. Never remove the grounding prong from the plug. Do not use the tool if the cord or plug is damaged. If the plug will not fit the outlet, have a proper outlet installed by a qualified electrician.

⚠ WARNING: Electrical cords can be hazardous. Misuse can result in fire or death by electrical shock. Read carefully and follow all directions.

⚠ CAUTION: Recommended use of GFI receptacle.

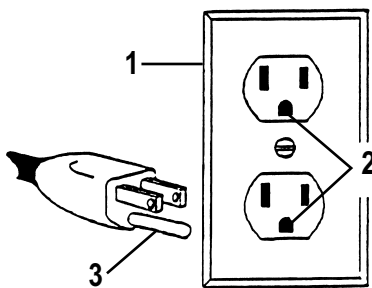


Figure A

1. Cover of grounded outlet box
2. Outlet ground
3. Grounding prong
4. Temporary adapter
5. Screw
6. Green grounding ear

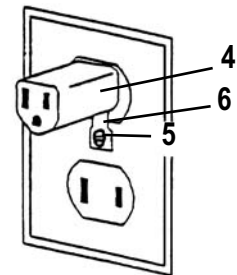


Figure B

GROUNDING TOOLS: TOOLS WITH THREE PRONG PLUGS

Tools marked "Grounding Required" have a three wire cord and three prong grounding plug. The plug must be connected to a properly grounded outlet (See Figure A). If the tool should electrically malfunction or break down, grounding provides a low resistance path to carry electricity away from the user, reducing the risk of electric shock.

The grounding prong in the plug is connected through the green wire inside the cord to the grounding system in the tool. The green wire in the cord must be the only wire connected to the tool's grounding system and must never be attached to an electrically "live" terminal.

Your tool must be plugged into an appropriate outlet, properly installed and grounded in accordance with all codes and ordinances. The plug and outlet should look like those in Figure A.

Figure B illustrates a temporary adapter available for connecting grounded plugs (Figure A) to two prong outlets. The green rigid ear or lug extending from the adapter must be connected to a permanent ground such as a properly grounded outlet box or receptacle. Simply remove the center screw from the outlet, insert the adapter and reattach the screw through the green grounding ear to the outlet. If in doubt of proper grounding, call a qualified electrician. A temporary adapter should only be used until a properly grounded outlet can be installed by a qualified electrician. The Canadian Electrical Code prohibits the use of temporary adapters.

RULES FOR SAFE OPERATION


EXTENSION CORDS

⚠ WARNING: Electrical cords can be hazardous. Misuse can result in fire or death by electrical shock. Read carefully and follow all directions.

Grounded tools require a three wire extension cord. Double insulated tools can use either a two or three wire extension cord. As the distance from the supply outlet increases, you must use a heavier gauge extension cord. Using extension cords with inadequately sized wire causes a serious drop in voltage, resulting in loss of power and possible tool damage.

The smaller the gauge number of the wire, the greater the capacity of the cord. For example, a 14 gauge cord can carry a higher current than a 16 gauge cord. When using more than one extension cord to make up the total length, be sure each cord contains at least the minimum wire size required. If you are using one extension cord for more than one tool, add the nameplate amperes and use the sum to determine the required minimum wire size.

GUIDELINES FOR USING EXTENSION CORDS

- If you are using an extension cord outdoors, make sure it is marked with the suffix “W-A” (“W” in Canada) to indicate that it is acceptable for outdoor use.
- Be sure your extension cord is properly wired and in good electrical condition. Always replace a damaged extension cord or have it repaired by a qualified person before using it.
- Protect your extension cords from sharp objects, excessive heat and damp or wet areas.
- Keep away from water. Do not use if wet. 
- Inspect thoroughly before each use. **DO NOT USE IF DAMAGED.**
- Make sure equipment is OFF before connecting cord outlet.
- FULLY INSERT plug into outlet.
- Do not remove, bend or modify any metal prongs or pins of cord.
- Do not use excessive force to make connections.
- Do not connect a three prong plug to a two-hole cord.
- Avoid overheating. Uncoil cord and do not cover it with any material.
- Do not walk on cord.
- Do not drive, drag or place objects over cord.

READ AND SAVE ALL INSTRUCTIONS FOR FUTURE REFERENCE.

SAFETY WARNINGS

HANDLING

1. Cables damaged through crushing or splitting can be dangerous if used and should be replaced immediately. Risk of person injury.
2. Do not connect the machine to an unearthed socket. Risk of personal injury.
3. Make sure the assembly area is firm, so the dust extractor does not tip over. Risk of personal and material injury.
4. Risk of pinching when handling the toggle fastener.
5. Do not vacuum hot or smoldering particles, as the machine can catch fire. If a fire should break out, remove the plug from the socket and extinguish the fire using the available fire-fighting equipment. An appropriate pre-separator should be connected between the suction pipe and the dust extractor when sucking up soot, ash and hot materials.
6. The machine must not be used in environments where explosives may be present. Serious risk of explosion.
7. Do not look into the suction pipe or suction hose if blocked. Serious risk of eye injury.
8. Do not direct the suction hose towards body parts when the machine is running. Avoid placing your hand or other parts of the body against the suction inlet if the suction hose is not fitted. Risk of personal injury.
9. Do not suck up water without use of the water separator. The absolute filter can be damaged.
10. Check, when lifting the machine, that the dust container is empty and that no one else is standing under the lifted machine. Risk of personal injury and material damage.

SERVICE

1. Remove the plug from the wall socket when carrying out maintenance work. Risk of personal injury. Replace all guards over the motor and fan components once servicing is complete.
2. Always keep an eye on the machine when using the Auto Start function. Risk of personal injury.
3. Dust can be spread when cleaning the coarse filter and during filter and bag replacement. Accordingly, the user should wear protective glasses, protective gloves, and a breathing mask conforming to protection class FFP3.
4. Do not puncture the absolute filter. Risk of dust dispersion.

PROCEDURES

UNPACKING

When unpacking the machine, please check that the following accessories are included:

- The hose with end fittings
- Handle
- Floor nozzle
- Extra bags

If any of the above mentioned parts are missing, please contact your distributor or our sales representative. Assemble the front wheels using the using bolt, washer and nut that are included in the package.

FUNCTION

The machine is designed for sucking and separating dry, non-combustible dust with an explosion limit value of $>0.1\text{mg}/\text{m}^3$

The motor is started by the switch. Dust-laden air is then sucked through the inlet valve at high speed via the suction hose. The air is slowed down by the cyclone and coarse dust particles are separated out, partly by centrifugal force and partly by gravity. Air and finer particles then pass through the main filter where separation is made. The machine is designed for filter cleaning by reverse air pulse.

The separated dust accumulates in the cyclone until the machine is switched off, when it drops through the bottom flap into the plastic bag.

USE

Before use, the user must be trained in handling the machine and the hazardous dust. Connect the electric plug to an outlet with the correct voltage (see designation plate). The filter must be cleaned from time to time (see page 10). This must be done before changing the plastic bag and can also be done when the work is complete or when there is poor suction.

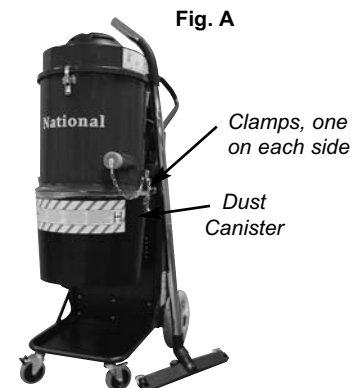
REPLACING CANISTER BAG

IMPORTANT NOTE: Only original canister bags purchased from National may be used (see page 15)! Failure to follow these instructions will result in damage to HEPA filter and/or machine!

WARNING! A CANISTER BAG MUST BE USED AT ALL TIMES.

WARNING! ONLY USE ORIGINAL PARTS (SEE PAGE 15).

1. Shut off vac.
2. Canister bag may only be replaced after cleaning the filter.
3. Unlatch clamps on each side of canister (Fig. A).
4. Remove canister from dust collector to access canister dust collection bag.
5. Carefully lift debris filled bag from canister, securely close, and properly dispose of.
6. Ensure residual debris has not fallen into canister. If so, clean canister thoroughly! Failure to do so will result in debris contaminating the HEPA filtration system.
7. After ensuring canister is free of debris, insert new dust collection bag and securely relatch canister properly into place.



PROCEDURES

FILTER CHANGE

Warning: risk of dust dispersion - use personal safety equipment

Unhealthy dust can be spread during filter change. Accordingly, the user should wear protective glasses, protective gloves, and a breathing mask conforming to protection class FFP3

Switch off the machine and pull the plug out of the socket.

PREFILTER (LARGE) Stock # 3474-20090050

1. Loosen the 3 clamps and remove the top.
2. Lift out the filter.
3. Insert new filter. Only filters purchased from National may be used.

HEPA FILTER (SMALL) Stock# 3472-20070007

1. Loosen the two nuts on the filter cap.
2. Carefully lift the filter into a clean plastic bag. NOTE: THIS BAG MUST BE PROPERLY DISPOSED OF.
3. Insert a new filter in reverse order.
4. Check the seal when changing filters and changing defective seals.

PURGE VAC

To maximize airflow operator must periodically purge machine!

AS AIRFLOW LESSENS FOLLOW PURGING INSTRUCTION BELOW:

1. Shut off vac.
2. Remove vacuum hose from hose inlet (Ref 2).
3. Cover hose inlet with plastic cap suspended from machine (Ref 2).
Note: If plastic cap is not available, carefully cover inlet with the palm of your hand. Use proper safety equipment!
4. **TURN VAC ON.**
5. Slowly press handle valve a minimum of 3-4 times to engage jet pulse/purge (Ref 3).
6. Turn vac off.
7. Remove plastic cap from inlet.
8. Connect vacuum hose to inlet.

Note: See page 13 for additional filter trouble shooting



MAINTENANCE

⚠ WARNING: To reduce the risk of injury, always unplug equipment from power source before performing any maintenance. Never disassemble the tool or try to do any rewiring on the tool's electrical system. Failure to do so could cause damage to machine or serious injury. Contact National for ALL repairs.

⚠ WARNING: To reduce the risk of injury, electric shock and damage to the tool, never immerse your tool in liquid or allow a liquid to flow inside the tool.

MAINTAINING EQUIPMENT

Keep equipment in good repair by adopting a regular maintenance program. Before use, examine the general condition of equipment. Inspect guards, switches, tool cord set and extension cord for damage. Check for loose screws, misalignment, binding of moving parts, improper mounting, broken parts and any other condition that may affect its safe operation. If abnormal noise or vibration occurs, turn the tool off immediately and have the problem corrected before further use. Do not use a damaged tool. Tag damaged tools "DO NOT USE" until repaired. See Repairs.

- Mechanical inspection
- Cleaning (pulleys, spindles, bearings, housing, etc.)
- Electrical inspection (switch, cord, plugs, etc.)
- Testing to assure proper mechanical and electrical operation
- Check nuts on shock absorbers and bottom plate for tightness
- Check screws on bottom bearing for tightness
- Check all screws and fittings for a tight and secure fit
- Keep a sharp blade in machine for optimum performance
- Remove blade when machine is not in use.

CLEANING

Clean dust and debris from vents. Keep the Equipment handle clean, dry and free of oil or grease. Use only mild soap and a damp cloth to clean since certain cleaning agents and solvents are harmful to plastics and other insulated parts. Some of these include: gasoline, turpentine, lacquer thinner, paint thinner, chlorinated cleaning solvents, ammonia and household detergents containing ammonia. Never use flammable or combustible solvents around tools.

Machine is pressure washable. Motor, motor junction box, capacitor box and switch are protected from splashes of water but CAN NOT be subjected to jets of high pressure. Thoroughly dry machine before use. Do not use machine when wet or damp.

REPAIRS

If your tool is damaged, contact National for a return authorization number and return the entire tool.

- Shipments are not accepted without a return authorization number.
- COD or freight collect shipments will not be accepted.

MAINTENANCE

SERVICE

When cleaning and servicing the machine, you must switch off the machine and remove the plug from the socket.

- Avoid cleaning with a high pressure cleaner. If necessary, do not direct at the opening on the machine, especially the opening for cooling air.
- Before moving the machine from the work area, the machine must be cleaned. Furthermore, the inlet must be locked using the expanding plug attached.
- All other equipment must be regarded as contaminated and be treated thereafter.
- If possible, use a special suitable room.
- Proper personnel protective equipment must be used.
- All parts which are contaminated after service must be properly disposed of in plastic bags according to all regulations.
- If the machine has to be used for other purposes, it is extremely important that the machine is cleaned, to avoid the spread of hazardous dust.

TROUBLESHOOTING

The machine is designed and manufactured for a severe environment and tasks, but the user must note that the machine must be protected from knocks and blows. Filter, seals, attachments, and connections are carefully adapted and selected with regard to the operator's work environment. Therefore, the operator and service personnel must treat the machine with the care in order to work correctly for many years.

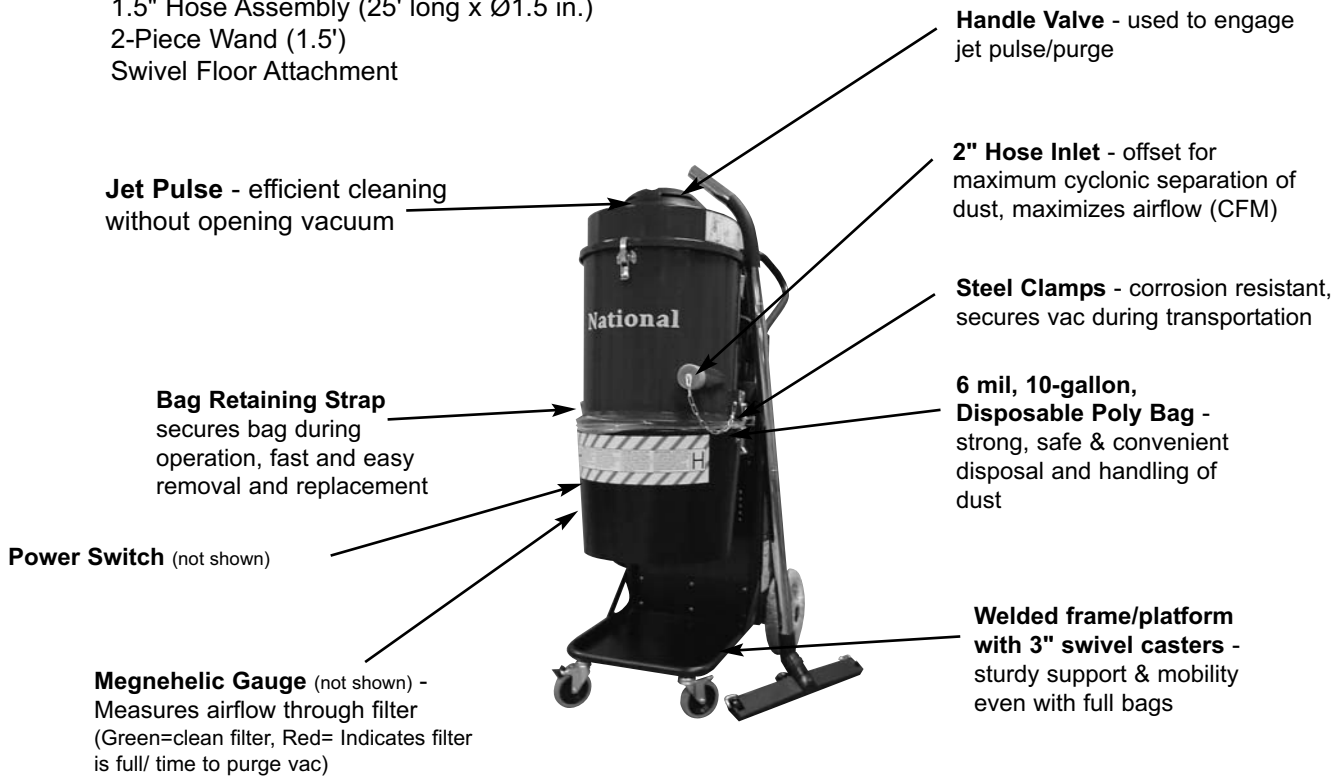
Problem	Possible Cause	Possible Remedy
Motor does not start	<ol style="list-style-type: none"> 1. No power 2. Cable defective 3. Switch defective 	<ol style="list-style-type: none"> 1. Connect the machine 2. Change 3. Change
Motor stops immediately after starting	<ol style="list-style-type: none"> 1. Wrong fuse 	<ol style="list-style-type: none"> 1. Connect to correct fuse
Motor runs but there is no suction	<ol style="list-style-type: none"> 1. Hose not connected 2. Hose blocked 3. No plastic bag 	<ol style="list-style-type: none"> 1. Connect hose 2. Clean hose 3. Fit plastic bag
Motor runs but suction is poor	<ol style="list-style-type: none"> 1. Hose in the bag 2. Filter blocked 3. Top cover loose 4. Sealing defective 	<ol style="list-style-type: none"> 1. Change hose 2. a) Purge Vac b) Change Filter 3. Adjust 4. Change current seal
Dust blows from motor	<ol style="list-style-type: none"> 1. Filter loose or defective 	<ol style="list-style-type: none"> 1. Adjust or change
Abnormal noise		<ol style="list-style-type: none"> 1. Order service

SPECIFICATIONS

Voltage	Hz	Amps	Vac Pressure/ Hg	Max Airflow (cfm)	Main Filter (sq. ft.)	HEPA 13 Filter (sq. ft.)	Filter Efficiency %@ 0.3 microns	Sound Level (dBA)	Inlet (in.)	Dims (LxWxH)	Weight (lbs.)
115 Single Phase	50/60	19.6	100 Water Lift	258	32.2	18	99.97%	70	2"	27.75" x 21.5" x 49"	98

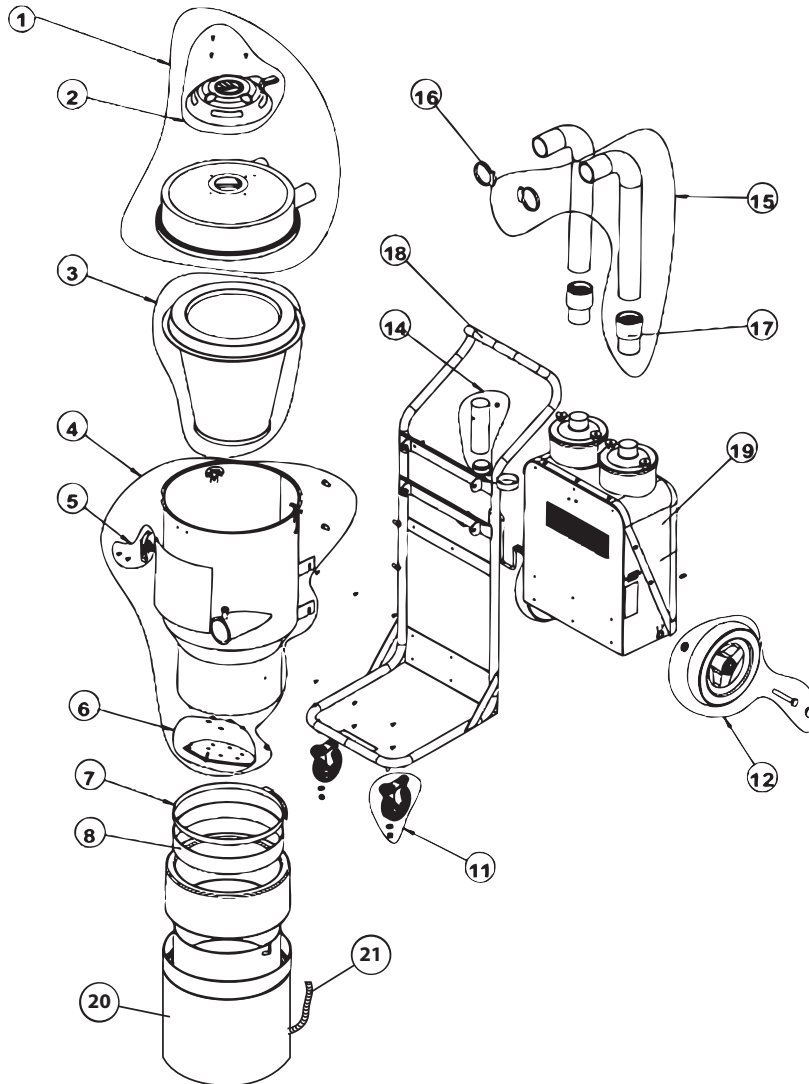
Tool Kit Includes:

- 1.5" Hose Assembly (25' long x Ø1.5 in.)
- 2-Piece Wand (1.5')
- Swivel Floor Attachment



PART NUMBERS & DIAGRAMS

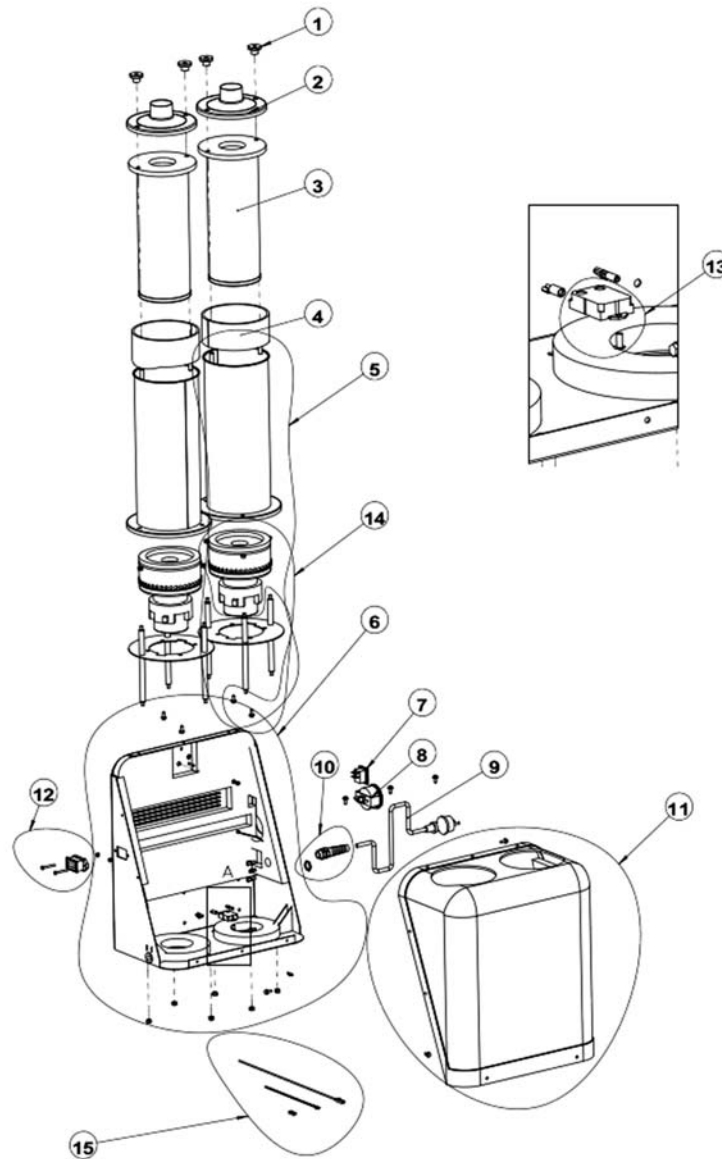
INTERNAL PARTS



<u>Position</u>	<u>Part #</u>	<u>Description</u>	<u>Position</u>	<u>Part #</u>	<u>Description</u>
1	201000143	TOP COVER ASSEMBLY	14	200800153	CLIP HOLDER KIT
2	201000118	CLEANING UNIT KIT	15	201000144	HOSE KIT (2)
3	200900050	MAIN FILTER	16	201100137	HOSE CLAMP PLASTIC (2)
4	201000129A	TANK COMPLETE	17	201100125	HOSE END (2)
5	200600799	HOLDER KIT (3)	18	201000831	WAGON COMPLETE
6	201000116	FLAP KIT	19	201000130A	ENGINE PACKAGE 120V
7	201100140	BELT PACKING	20	400397	PAIL
8	201100141	ANTI-SKID	21	400398	PAIL TO HEPA FILTER HOSE
11	200800152	FRONT WHEEL KIT (2)			
12	200800151	REAR WHEEL KIT (2)			

PART NUMBERS & DIAGRAMS

115V ENGINE PACKAGE



<u>Position</u>	<u>Part #</u>	<u>Description</u>	<u>Position</u>	<u>Part #</u>	<u>Description</u>
1	201100128	KUNRLED THUMB NUT (4)	9	201100149	CORD SET, 115V
2	201000121	FILTER COVER KIT (2)	10	201100150	CABLE FIX KIT
3	200700070A	HEPA FILTER (2)	11	200600805	ENGINE COVER, KIT
4	201100127	SEALING PACKING(2)	12	201000133	COUNTER, KIT
5	201100144A	ENGINE TUBE W/ NIPPLE 115V	13	200700531	SOFT START 115V, KIT
	201100152A	ENGINE TUBE W/O NIPPLE 115V	14	200800060A	MOTOR KIT 115V (2)
6	201000135	CHASSIS KIT	15	201100157A	CABLE KIT 115V
7	201100151	SWITCH PACKING			
8	200700413	MANOMETER, KIT			

ACCESSORIES



201000061

HOSE

25 ft. dust collector hose



200900050

PREFILTER POLYESTER

Replacement filter



200700070A

HEPA FILTER

Replacement HEPA Filter



1276010

REPLACEMENT PLASTIC BAGS

25/PK



1224035

2 PIECE WAND SET

1 Bent Piece

1 Straight



1326087

FLOOR TOOL

2 in. x 17.75 in.

**IMAGE NOT
AVAILABLE**

200800060-A

REPLACEMENT ELECTRIC MOTOR, 115V

GUARANTEE

National Flooring Equipment, Inc. (National) warrants to the first consumer/purchaser that this National brand product (the 3474 HEPA Dust Collector), when shipped in its original container, will be free from defective workmanship and materials and agrees that it will, at its option, either repair the defect or replace the defective product or part thereof at no charge to the purchaser for parts or labor for the period(s) set forth below.

This warranty does not apply to any appearance items of the product, to the additional excluded items set forth below, or to any product, the exterior of which has been damaged or defaced, which has been subjected to misuse, abnormal service or handling, or which has been altered or modified in design or construction.

In order to enforce the rights under this limited warranty, the purchaser should follow the steps set forth below and provide proof of purchase to National.

The limited warranty described herein is in addition to whatever implied warranties may be granted to purchasers by law. ALL IMPLIED WARRANTIES INCLUDING THE WARRANTIES OF MERCHANTABILITY AND FITNESS FOR USE ARE LIMITED TO THE PERIODS FROM THE DATE OF PURCHASE AS SET FORTH BELOW. Some states do not allow time limitations on an implied warranty, so the above limitation may not apply to you.

Neither the sales person of the seller, nor any other person, is authorized to make any other warranties other than those described herein, or to extend the duration of any warranties beyond the time period described herein on behalf of National.

The warranties described herein shall be the sole and exclusive warranties granted by National and shall be the sole and exclusive remedy available to the purchaser. Correction of defects in the manner and for the period of time described herein, shall constitute complete fulfillment of all liabilities and responsibilities of National to the purchaser with respect to the product and shall constitute full satisfaction of all claims, whether based on contract, negligence, strict liability or otherwise. In no event shall National be liable, or in any way responsible for any damage or defects in the product which were caused by repairs or attempted repairs performed by anyone other than National. Nor shall National be liable, or in any way responsible, for any incidental or consequential, economics or property damage. Some states do not allow the exclusion of incidental or consequential damages, so the above exclusion may not apply to you.

THIS WARRANTY GIVES YOU SPECIFIC LEGAL RIGHTS. YOU MAY ALSO HAVE OTHER RIGHTS WHICH VARY FROM STATE TO STATE.

WARRANTY PERIOD

The 3474 HEPA Dust Collector is guaranteed to be free of manufacturer defective workmanship and in quality of materials for a period of one year.

Items excluded from warranty coverage, unless found and reported defective immediately upon removal from the original shipping container and before being used by the original purchaser.

A freight damage claim must be filed with the carrier by the purchaser, the shipper cannot file the freight claim.

To obtain service contact National Flooring Equipment, Inc. toll free at 800-245-0267 for a repair authorization number. COD freight returns will not be accepted. Freight collect shipments will not be accepted. Warranty repairs must be accompanied by date of purchase receipt and a return/repair authorization number.

RETURN SHEET

Company Name _____

Contact Name _____

Telephone Number _____

Approximate Usage (hours) _____

Problems Encountered _____

Check One: Repair

Do you wish to be contacted before repairing Yes No

Return

Contact National if a loaner is needed

Return Authorization Number _____ Date _____

REQUIRED, contact National

Customer Number _____

if known

Purchased From _____

if not directly from National

INTERNAL USE ONLY	
Date Received	_____
Unit Serial Number	_____
Subject To Warranty	_____