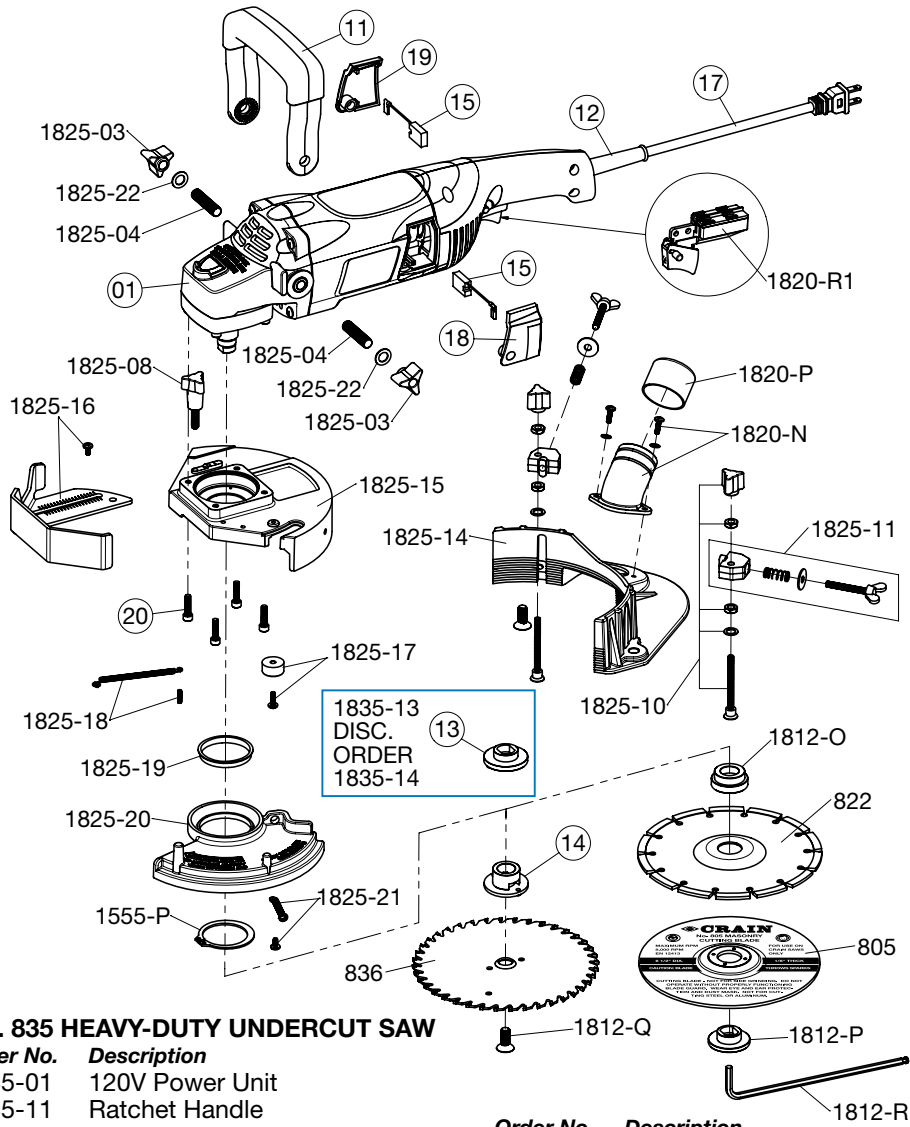


No. 835 Heavy-Duty Undercut Saw



NO. 835 HEAVY-DUTY UNDERCUT SAW

Order No. Description

- 1835-01 120V Power Unit
- 1835-11 Ratchet Handle
- 1835-12 Strain Relief Only
- 1835-13* Blade Driver (Discontinued)
- 1835-14 Blade Driver and Spacer
- 1835-15 Power Unit Brush Set (2)
- 1835-16 Brush Holder Set (2) (not shown)
- 1835-17 Power Cord
- 1835-18 Brush Cover, Left
- 1835-19 Brush Cover, Right
- 1835-20 Housing Fastener Set (4)
- Parts in common with other Crain saws:
- 1555-P Snap Ring
- 1812-O Blade Spacer
- 1812-P Blade Clamp
- 1812-Q Blade Screw
- 1812-R Hex Key Wrench
- 1820-N Dust Port with Screws (4)
- 1820-P Dust Port Cap

Order No. Description

- 1820-R1 Switch Type B, Black
- 1825-03 Handle Three Arm Knobs (2)
- 1825-04 Handle Threaded Studs (2)
- 1825-08 Depth Gauge Three Arm Knob
- 1825-10 Height Adjuster Three Arm Knob & Fasteners (5)
- 1825-11 Guide Washer & Fasteners (4)
- 1825-14 Height Adjuster
- 1825-15 Housing
- 1825-16 Depth Gauge & Fasteners (2)
- 1825-17 Stopper & Screw
- 1825-18 Hooked Spring & Screw
- 1825-19 Blade Guard Sleeve
- 1825-20 Blade Guard
- 1825-21 Flared Spring & Screw
- 1825-22 Handle Washers (2)

*1835-13 is discontinued - order 1835-14