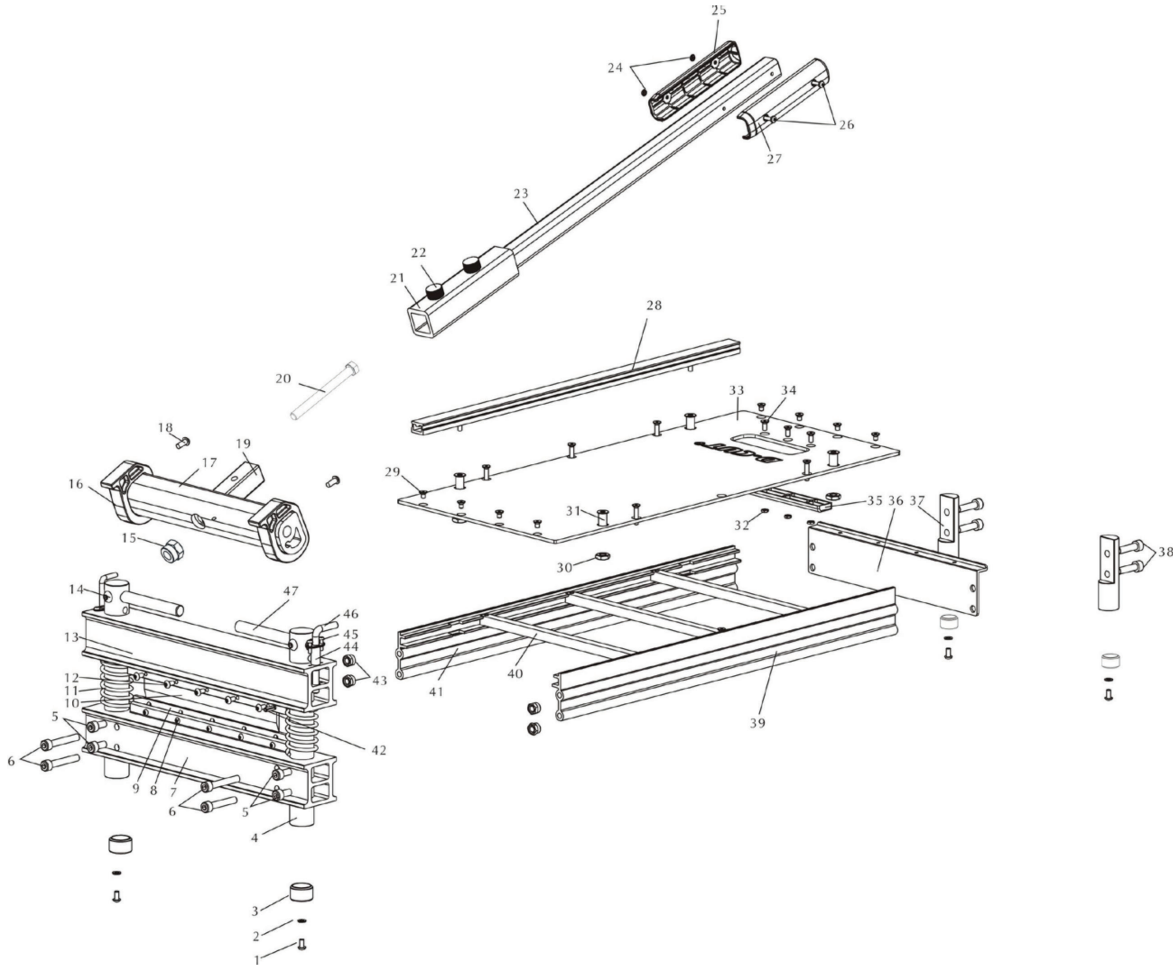


# ROBERTS 10-91 EXPLODED PARTS DIAGRAM



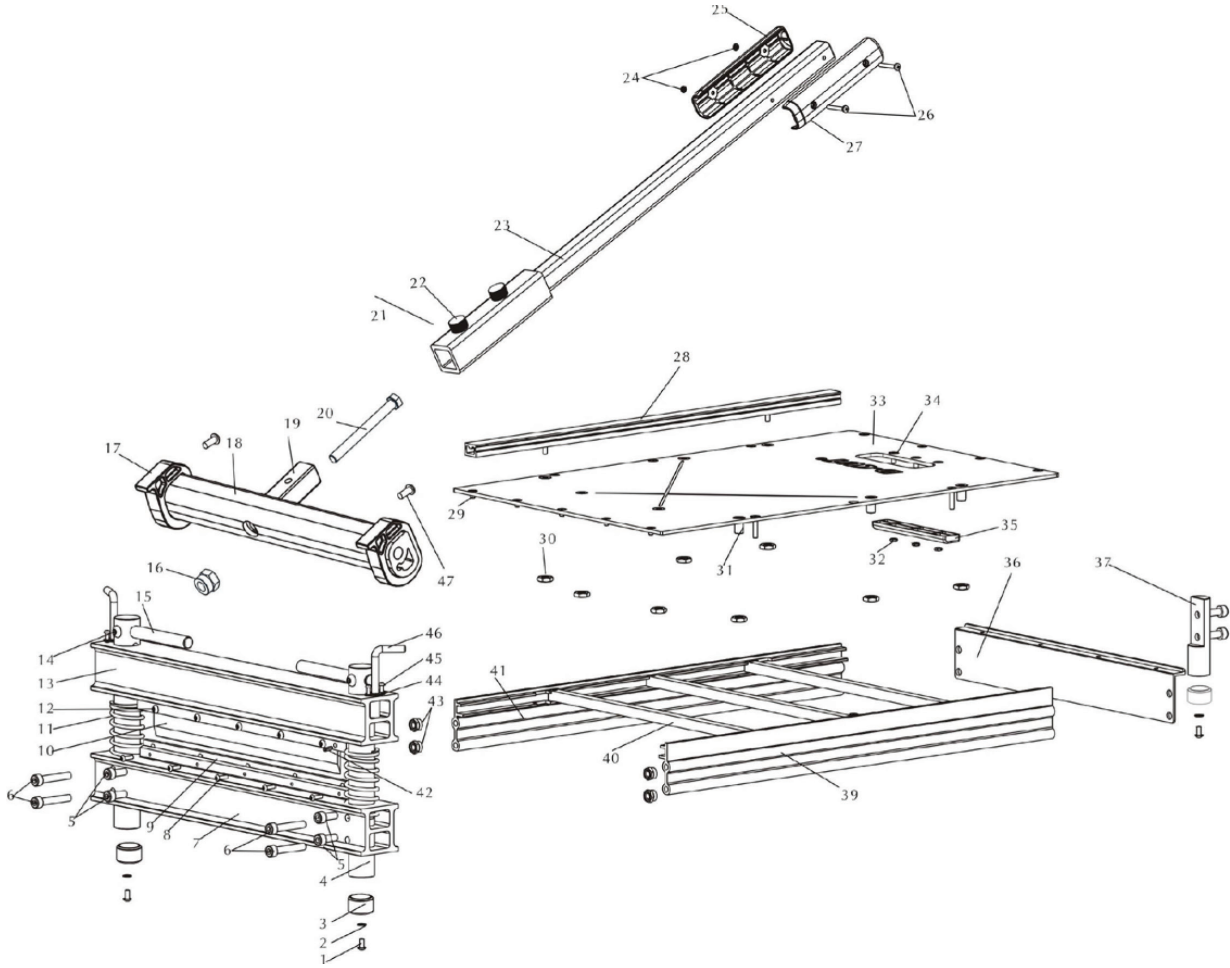
**! WARNING**  
**VERY SHARP BLADE**

# ROBERTS 10-91 PARTS LIST

NO.	DESCRIPTION	QTY.	NO.	DESCRIPTION	QTY.
1	Screw M6 x 12	4	25	Right ABS Handle	1
2	Washer Ø6	2	26	Bolt M4 x 30	2
3	Rubber Feet	6	27	Left ABS Handle	2
4	Rod	4	28	Guide Bar	1
5	Hex Bolt M8 x 55	1	29	Screw M5 x 8	8
6	Hex Bolt M8 x 50	1	30	Nut M10	4
7	Main Base	2	31	Sleeve	6
8	Screw M4 x 14	2	32	Nut M5	3
9	Nylon Bar	2	33	Working Table	3
10	Blade	2	34	Screw M5 x12	3
11	Spring	2	35	Carry Handle	3
12	Screw M5 x 10	1	36	End Board	1
13	Blade Base	2	37	Foot	1
14	Screw M8 x 14	1	38	Bolt M8 x 30	4
15	Nut M12	1	39	Frame A	1
16	Nylon Wheel	2	40	Cross Bar	3
17	Aluminum Eccentric Cam	1	41	Frame B	1
18	Screw M6 x 16	1	42	Spring Pin	1
19	Handle Base	1	43	Nut M8	4
20	Bolt M12 x 120	2	44	Pin Sleeve	2
21	Handle A	1	45	Screw M4 x 10	4
22	Screw M8	2	46	Pin	2
23	Handle B	1	47	Shaft	2
24	Nut M4	1			



# ROBERTS 10-94 EXPLODED PARTS DIAGRAM

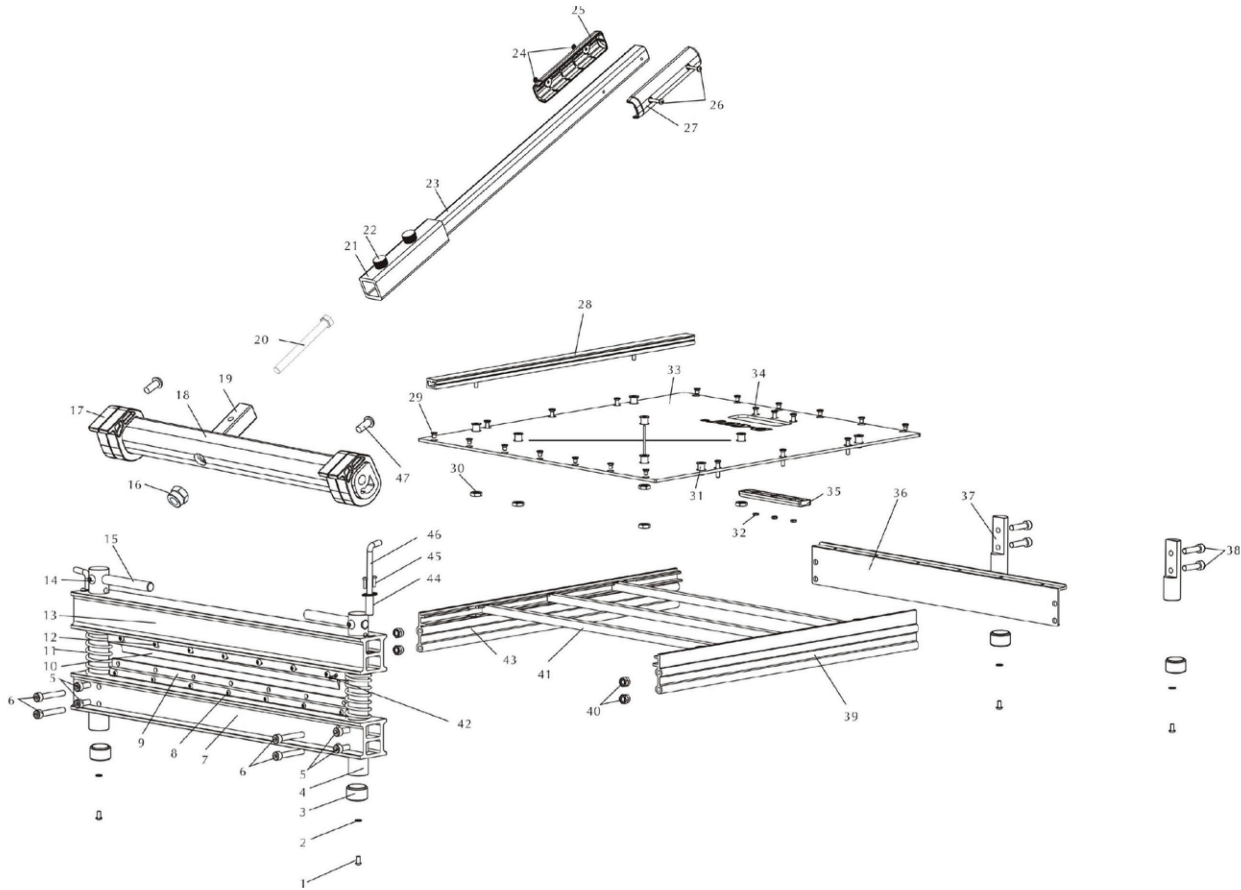


# ROBERTS 10-94 PARTS LIST

NO.	DESCRIPTION	QTY.	NO.	DESCRIPTION	QTY.
1	Screw M6 x 12	4	25	Right ABS Handle	1
2	Washer Ø6	4	26	Bolt M4 x 30	2
3	Rubber Feet	4	27	Left ABS Handle	2
4	Rod	2	28	Guide Bar	1
5	Hex Bolt M8 x 55	4	29	Screw M5 x 8	9
6	Hex Bolt M8 x 50	4	30	Nut M10	4
7	Main Base	1	31	Sleeve	6
8	Screw M4 x 14	5	32	Nut M5	3
9	Nylon Bar	1	33	Working Table	3
10	Blade	1	34	Screw M5 x12	3
11	Spring	1	35	Carry Handle	3
12	Screw M5 x 10	5	36	End Board	1
13	Blade Base	1	37	Foot	1
14	Screw M8 x 14	2	38	Bolt M8 x 30	4
15	Shaft	2	39	Frame A	1
16	Nut M12	1	40	Cross Bar	3
17	Nylon Wheel	2	41	Frame B	1
18	Aluminum Eccentric Cam	1	42	Sping Pin	1
19	Handle Base	1	43	Nut M8	4
20	Bolt M12 x 120	1	44	Pin Sleeve	2
21	Handle A	1	45	Screw M4 x 10	4
22	Screw M8	2	46	Pin	2
23	Handle B	1	47	Screw M6 x 16	4
24	Nut M4	2			



# ROBERTS 10-99 EXPLODED PARTS DIAGRAM



# ROBERTS 10-99 PARTS LIST

NO.	DESCRIPTION	QTY.	NO.	DESCRIPTION	QTY.
1	Screw M6 x 12	4	25	Right ABS Handle	1
2	Washer Ø6	4	26	Bolt M4 x 30	2
3	Rubber Feet	4	27	Left ABS Handle	1
4	Rod	2	28	Guide Bar	1
5	Hex Bolt M8 x 55	4	29	Screw M5 x 8	13
6	Hex Bolt M8 x 50	4	30	Nut M10	8
7	Main Base	1	31	Sleeve	8
8	Screw M4 x 14	7	32	Nut M5	3
9	Nylon Bar	1	33	Working Table	1
10	Blade	1	34	Screw M5 x12	3
11	Spring	1	35	Carry Handle	1
12	Screw M5 x 10	7	36	End Board	1
13	Blade Base	1	37	Foot	2
14	Screw M8 x 14	2	38	Bolt M8 x 30	4
15	Shaft	2	39	Frame A	1
16	Nut M12	1	40	Nut M8	4
17	Nylon Wheel	4	41	Cross Bar	3
18	Aluminum Eccentric Cam	1	42	Spring Pin	1
19	Handle Base	1	43	Frame B	1
20	Bolt M12 x 120	1	44	Pin Sleeve	2
21	Handle A	1	45	Screw M4 x 10	4
22	Screw M8	2	46	Pin	2
23	Handle B	1	47	Screw M6 x 16	4
24	Nut M4	2			

