

# Instruction Manual



# C o r t e b e r t



To ensure correct care, please take some time to review the enclosed instructions to review how to operate your watch.

Vol.1.04 EN

# Cortebert NORTH STAR

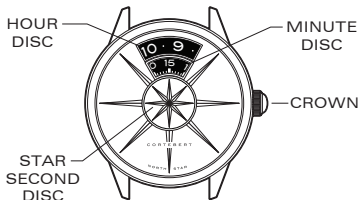
This watch is powered by a uniquely customized Japanese made automatic movement.

It does not need a battery and is powered through the kinetic movements of the wearer.

Our skilled watchmakers have re-engineered the movement to represent the time through a 'digital' time highlighting the importance of the North Star as a universal anchor of navigation in the night sky

For more details on operating this timepiece please refer to the enclosed booklet or visit :

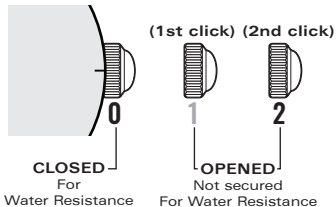
[IM.CORTEBERT1790.COM](http://IM.CORTEBERT1790.COM)



**BEFORE YOU USE THIS WATCH, IT IS RECOMMENDED THAT YOU MANUALLY WIND THE MAINSPRING TO START IT MOVING.**

THIS WATCH IS AN AUTOMATIC WATCH EQUIPPED WITH A MANUAL WINDING MECHANISM.

### WINDING THE MAINSPRING

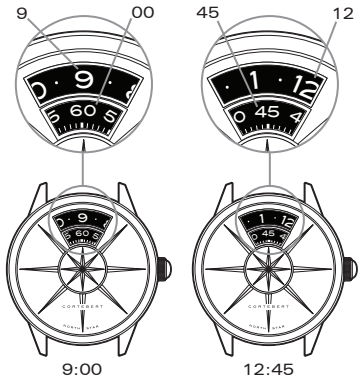


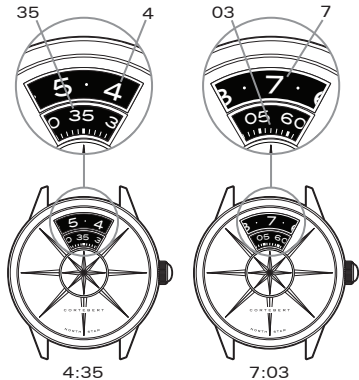
When it is in position [0], turn the crown clockwise to wind. Wind 5-10 times and it will start to move naturally after shaking slightly.

\* This watch **MUST** be worn for at least 8 (Eight) hours each day to ensure it is fully wound.

An automatic watch will only wind when the watch is on your wrist and your arm moves. Winding the watch by the crown will put power on the spring but not enough to allow the watch to function fully. If your watch stops overnight or loses time it means it is not being fully wound.

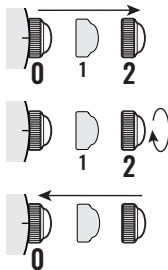
## HOW TO READ TIME





## HOW TO SET THE TIME

1. Pull the crown out to position [2]-(2nd click).
2. Turn the crown clockwise to set the correct time.
3. Push the crown in.

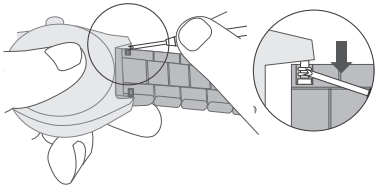


\* Take a.m./p.m. into consideration when setting the hour and minute hands to the desired time.

## HOW TO CHANGE BRACELET TO LEATHER STRAP

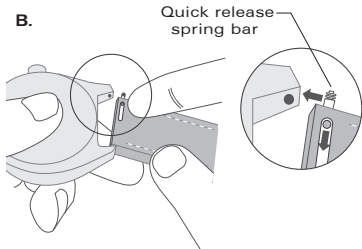
Pronged-end → 

**A.**



1. Use the Strap Tool, place the Pronged-end between the lug and the bracelet to reach the metal pin.
2. Push down to release the spring and remove the bracelet.

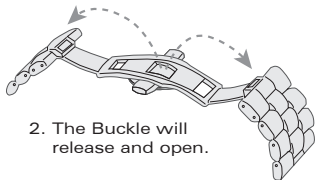
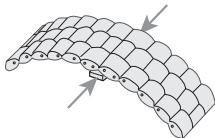
**B.**



3. Place the pin end to the lug hole.
4. Use your finger to push down the spring so that the pin end reaches the hole for fastening.

## HOW TO USE A DUAL DEPLOYANT CLASP

1. Press the buttons on both sides of the clasp.



2. The Buckle will release and open.

## WATER RESISTANCE

The water resistance indicated on your timepiece serves only as a guide. Actual water resistance may vary depending on a number of important factors including temperature, water salinity, and actual use under water.

The water resistance of your timepiece may eventually be compromised over time with general wear and tear and the use of your watch under adverse conditions.

Always remember to employ the screw down crown is available to maintain the water resistance of your timepiece. Warranty may be voided if the screw down crown has not been properly employed.

Note that you should **NEVER** wear your watch in a jacuzzi, hot shower or steam room where steam may enter the case despite the watertight seals used to protect your watch.

The steam may cause condensation inside your watch, which may affect and damage the inner workings of your watch – which would also not be covered by the warranty.