

Regular cleaning with mild soap on a soft cloth, followed by a clean damp cloth, then a dry cloth, will preserve the original luster and beauty of this fine finish of your Romina Furniture product.



Thank you for being one of our distinguished clients.

Romina[®] *Team*
Furniture

Visit
www.rominafurniture.com
for updates, special offers and more new designs.

THIS CRIB CONFORMS TO APPLICABLE REGULATIONS PROMULGATED BY THE CONSUMER PRODUCT SAFETY COMMISSION AND BY THE AMERICAN SOCIETY FOR TESTING AND MATERIALS

DO NOT THROW OUT THIS INSTRUCTION BOOKLET!

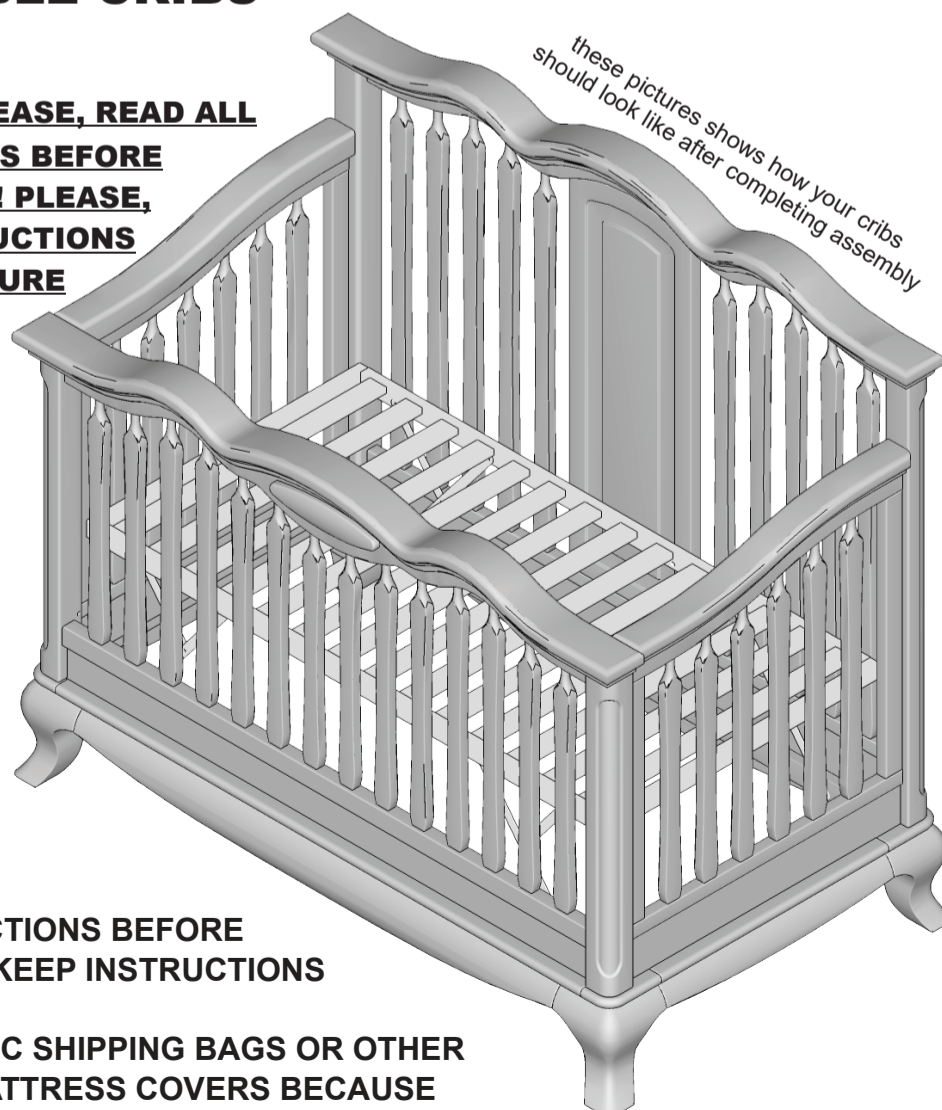
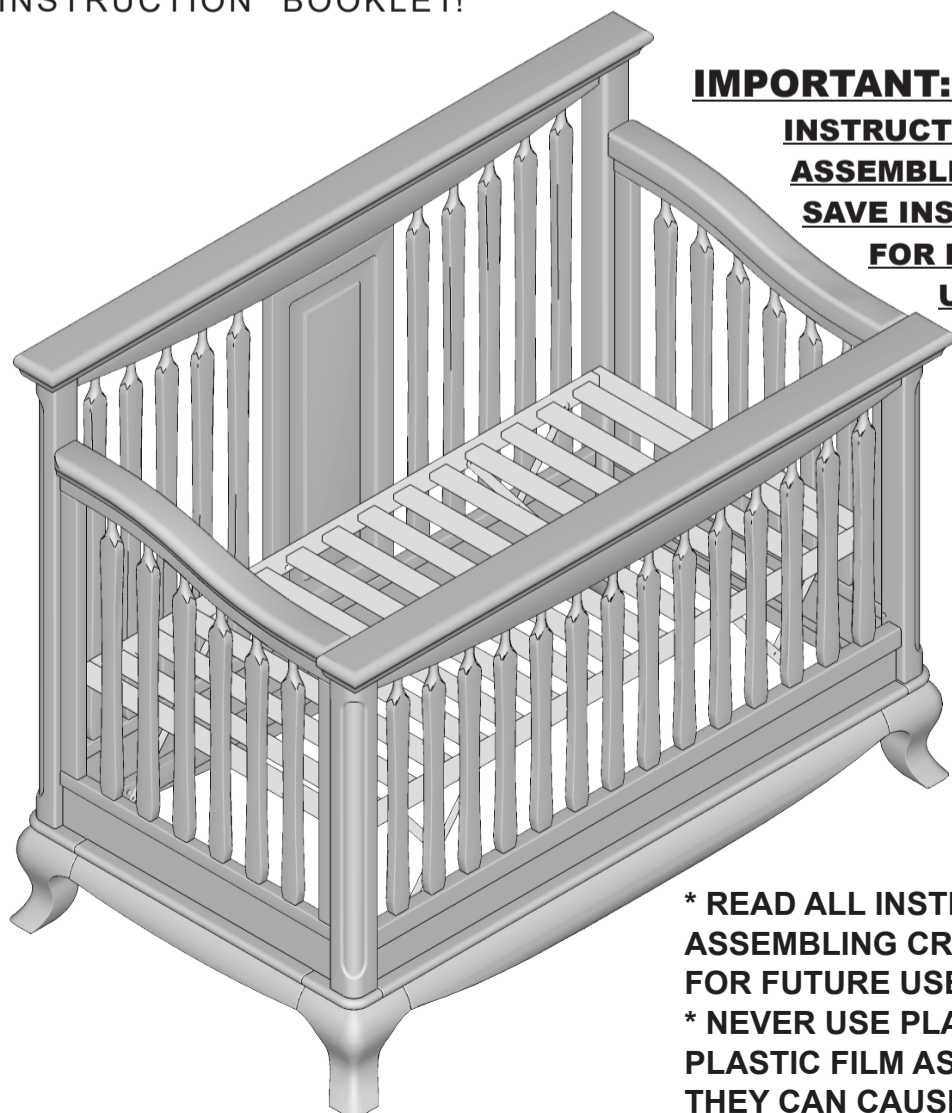
ASSEMBLY INSTRUCTIONS FOR YOUR 6501 & 7501 SP & TH CONVERTIBLE CRIBS

Romina[®]
Furniture

4300 Northlake Ct, Ste E, Charlotte, NC 28216
Phone: 980-585-1460 / contact@rominafurniture.com
www.rominafurniture.com

IMPORTANT: PLEASE, READ ALL INSTRUCTIONS BEFORE ASSEMBLING! PLEASE, SAVE INSTRUCTIONS FOR FUTURE USE

these pictures shows how your cribs should look like after completing assembly



- * READ ALL INSTRUCTIONS BEFORE ASSEMBLING CRIB. KEEP INSTRUCTIONS FOR FUTURE USE.
- * NEVER USE PLASTIC SHIPPING BAGS OR OTHER PLASTIC FILM AS MATTRESS COVERS BECAUSE THEY CAN CAUSE SUFFOCATION.
- * INFANTS CAN SUFFOCATE IN GAPS BETWEEN CRIB SIDES AND A MATTRESS THAT IS TOO SMALL.

NOTE: THE STYLE OF YOUR CRIB OR OF YOUR MATTRESS SUPPORT MAY VARY FROM WHAT IS PICTURED IN THE INSTRUCTION SHEET

⚠️WARNING! INFANTS CAN SUFFOCATE ON SOFT BEDDING. NEVER ADD A PILLOW OR COMFORTER. NEVER PLACE ADDITIONAL PADDING UNDER AN INFANT. FAILURE TO FOLLOW THESE WARNINGS AND ASSEMBLY INSTRUCTIONS COULD RESULT IN SERIOUS INJURY OR DEATH.

CAUTION: ANY MATTRESS USED IN THIS CRIB SHALL BE AT LEAST 27 1/4 BY 51 5/8 IN. WITH A THICKNESS NOT EXCEEDING 6 IN.

- TO REDUCE THE RISK OF SIDS, PEDIATRICIANS RECOMMEND HEALTHY INFANTS BE PLACED ON THEIR BACKS TO SLEEP, UNLESS OTHERWISE ADVISED BY YOUR PHYSICIAN.

STRANGULATION HAZARD:

- STRINGS CAN CAUSE STRANGULATION! **DO NOT** PLACE ITEMS WITH A STRING AROUND A CHILD'S NECK, SUCH AS HOOD STRINGS OR PACIFIER CORDS. **DO NOT** SUSPEND STRINGS OVER A CRIB OR ATTACH STRINGS TO TOYS.
- TO HELP PREVENT STRANGULATION TIGHTEN ALL FASTENERS. A CHILD CAN TRAP PARTS OF THE BODY OR CLOTHING ON LOOSE FASTENERS.
- **DO NOT** PLACE CRIB NEAR WINDOW WHERE CORDS FROM BLINDS OR DRAPES MAY STRANGLE A CHILD.

FALL HAZARD:

- WHEN CHILD IS ABLE TO PULL TO A STANDING POSITION, SET MATTRESS TO LOWEST POSITION AND REMOVE BUMPER PADS, LARGE TOYS AND OTHER OBJECTS THAT COULD SERVE AS STEPS FOR CLIMBING OUT.
- STOP USING CRIB WHEN CHILD BEGINS TO CLIMB OUT OR REACHES THE HEIGHT OF 35 IN. (89 CM).

- CHECK THIS PRODUCT FOR DAMAGED HARDWARE, LOOSE JOINTS, LOOSE BOLTS OR OTHER FASTENERS, MISSING PARTS, OR SHARP EDGES BEFORE AND AFTER ASSEMBLY AND FREQUENTLY DURING USE. SECURELY TIGHTEN LOOSE BOLTS AND OTHER FASTENERS. **DO NOT** USE CRIB IF ANY PARTS ARE MISSING, DAMAGED OR BROKEN. CONTACT **ROMINA FURNITURE** FOR REPLACEMENT PARTS AND INSTRUCTIONAL LITERATURE IF NEEDED. **DO NOT** SUBSTITUTE PARTS.

- IF REFINISHING, USE AN ANON-TOXIC FINISH SPECIFIED FOR CHILDREN'S PRODUCTS.

- FOLLOW WARNINGS ON ALL PRODUCTS IN A CRIB.

- READ ALL INSTRUCTIONS BEFORE ASSEMBLING CRIB. **KEEP INSTRUCTIONS FOR FUTURE USE.** A STORAGE POUCH & 2 PLASTIC TIES HAVE BEEN PROVIDED IN THE HARDWARE BAG. ATTACH POUCH TO MATTRESS SUPPORT WITH PLASTIC TIES AND STORE THE INSTRUCTIONS THERE.

- **NEVER** USE PLASTIC SHIPPING BAGS OR OTHER PLASTIC FILM AS MATTRESS COVERS BECAUSE THEY CAN CAUSE SUFFOCATION.

- INFANTS CAN SUFFOCATE IN GAPS BETWEEN CRIB SIDES AND A MATTRESS THAT IS TOO SMALL.

- **DO NOT** USE A WATER MATTRESS WITH THIS CRIB.

- BEFORE USING THIS CRIB RECHECK ALL SCREWS AND BOLTS TO BE SURE THEY ARE FASTENED SECURELY. A PERIODIC CHECK SHOULD BE MADE TO BE SURE THESE ITEMS REMAIN TIGHT.

- TO AVOID HEAD INJURY, **DO NOT** ALLOW ANY CHILD TO PLAY UNDERNEATH CRIB.

CAUTION:

*WHEN A CHILD'S HEIGHT REACHES 35 INCHES, THE CHILD SHOULD BE PLACED IN A YOUTH OR REGULAR BED.

*USE OF A VAPORIZER NEAR FURNITURE WILL CAUSE WOOD TO SWELL AND FINISH TO PEEL.

*DO NOT STORE CRIB IN AREAS WHERE TEMPERATURES AND CONDITIONS ARE EXTREME, SUCH AS HOT ATTICS OR COLD DAMP BASEMENTS. BOTH OF THESE EXTREME CONDITIONS MAY CAUSE THE WOOD TO CRACK AND GLUE JOINTS TO LOOSEN RESULTING IN STRUCTURAL FAILURE.

*SHOULD IT BECOME DESIRABLE TO REFINISH THIS CRIB IN LATER YEARS, THE MANUFACTURER WARNS THAT ANY MATERIAL USED SHOULD BE NON-TOXIC. REGULAR CLEANING WITH MILD SOAP ON A SOFT CLOTH, FOLLOWED BY A CLEAN DAMP CLOTH, THEN A DRY CLOTH, WILL PRESERVE THE ORIGINAL LUSTER AND BEAUTY OF THIS FINE FINISH.

*THIS CRIB IS NOT EQUIPPED TO HANDLE THE EXCESS WEIGHT OF A CRIB WATER MATTRESS.

*LIFT SLIGHTLY WHEN MOVING ON CARPETING TO PREVENT LEG BREAKAGE.

ENSURE A SAFE ENVIRONMENT FOR THE CHILD BY CHECKING REGULARLY, BEFORE PLACING THE CHILD IN THE CRIB, THAT EVERY COMPONENT IS PROPERLY AND SECURELY IN PLACE.

MAINTENANCE OF YOUR ROMINA CONVERTIBLE CRIB:

AFTER YOU FINISH ASSEMBLING YOUR CRIB, BE SURE THAT ALL BOLTS HAVE BEEN TIGHTENED SECURELY. YOU MUST CHECK ALL BOLTS PERIODICALLY AND RE-TIGHTEN AS NECESSARY. PERIODICALLY INSPECT CRIB FOR DAMAGED HARDWARE, LOOSE JOINTS OR SPLINTERED EDGES.

DO NOT USE CRIB IF PARTS ARE DAMAGED OR BROKEN! CONTACT YOUR DEALER OR **ROMINA FURNITURE** FOR ASSISTANCE AND REPLACEMENT PARTS. PLEASE BE SURE TO HAVE YOUR MODEL CODE WRITTEN DOWN BEFORE YOU MAKE CONTACT. THE MODEL CODE CAN BE FOUND ON A WHITE LABEL LOCATED ON THE INSIDE OF YOUR CRIB ON THE SIDE PANEL.

NEVER SUBSTITUTE PARTS OR MAKE ALTERATIONS TO YOUR CRIB!

Please locate and confirm that you have the following parts:

- HB. headboard = 1
- FB. footboard = 1
- LP. left panel = 1
- RP. right panel = 1
- SB. stabilizing bar = 2
- MS. mattress support = 1
- WR. wooden rail = 1
- WB. wooden block = 2

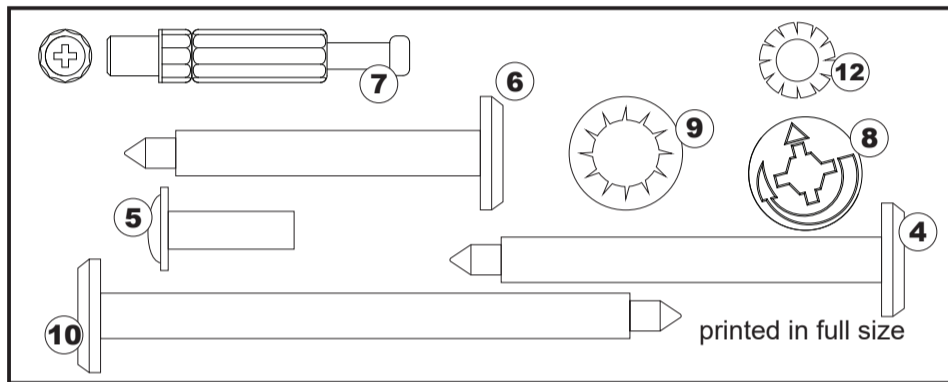
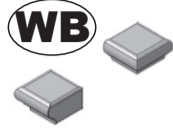
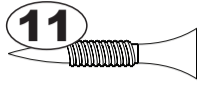
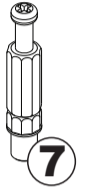
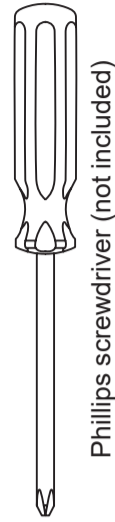
one bag of hardware with the following:

1. Allen wrench = 1
2. storage pouch = 1
3. plastic tie = 2
4. Allen bolt (60mm - 2 3/8") = 4
5. rounded head bolt (15mm - 19/32") = 4
6. Allen bolt (40mm - 1 9/16") = 4
7. screw-in dowel = 2
8. cam fitting = 2
9. bigger "internal star" lock washer = 12
10. Allen bolt (70 mm - 2 3/4") = 4
11. wood screw (flat head 20mm - 3/4") = 3
12. smaller "external star" lock washer = 4

Required tools: Allen wrench (supplied), Phillips screwdriver (not included), flat screwdriver (not included).

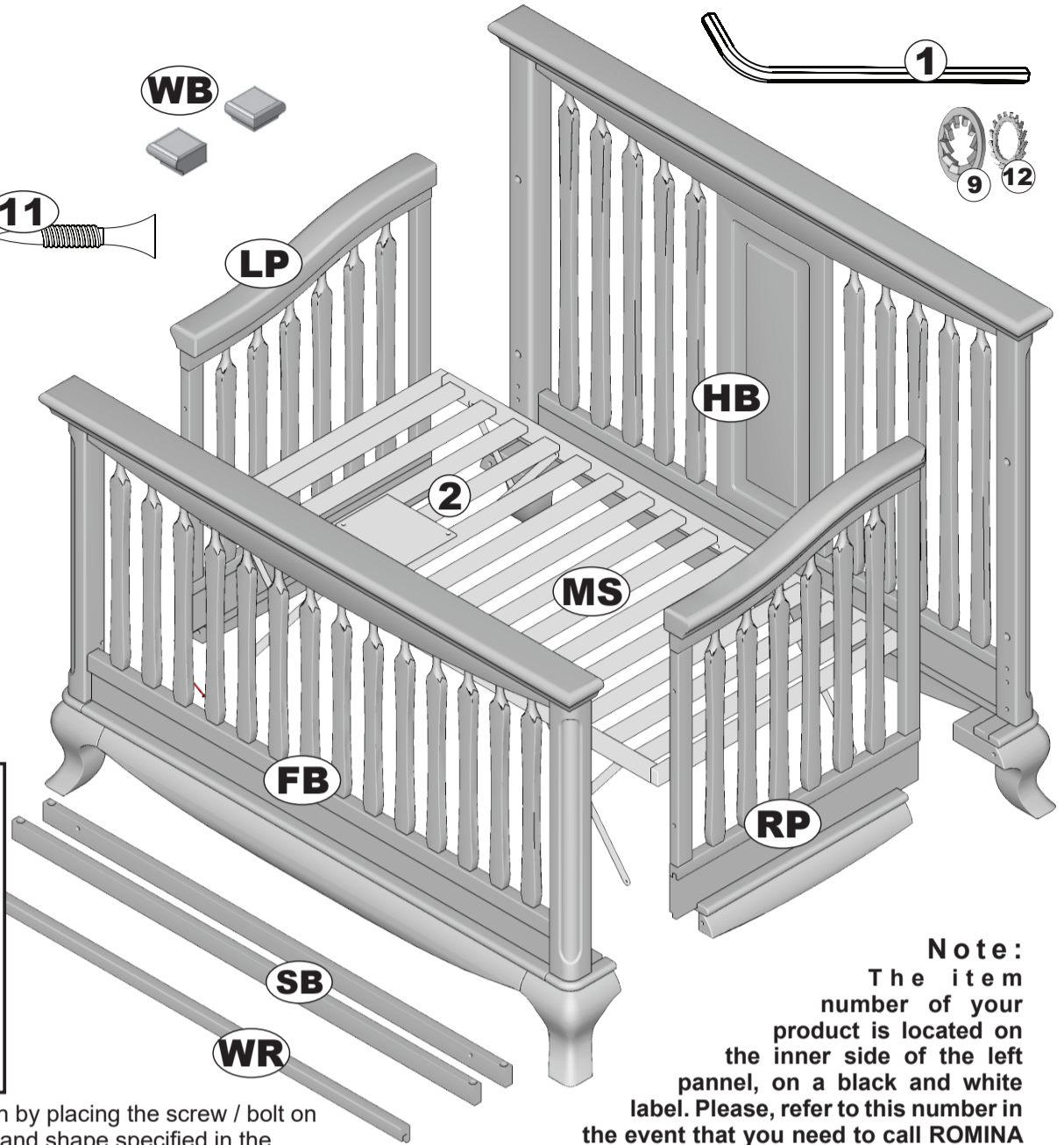
CAUTION: Do not use a power screwdriver which can cause screws to break or strip

Note: The letters which identifies a part are the initials of the respective part name (such method is employed to facilitate parts recognition between the drawings and the parts list).



Note: During the assembly process whenever using screws or bolts, check each by placing the screw / bolt on the upper diagram which is drawn in actual size. Be sure to use the proper size and shape specified in the instructions. Be sure to **COMPLETELY TIGHTEN** the screws / bolts when you are asked to do this.

6501 TH & SP BOX CONTENT



Note:
The item number of your product is located on the inner side of the left panel, on a black and white label. Please, refer to this number in the event that you need to call ROMINA FURNITURE or your local distributor. Thank you.

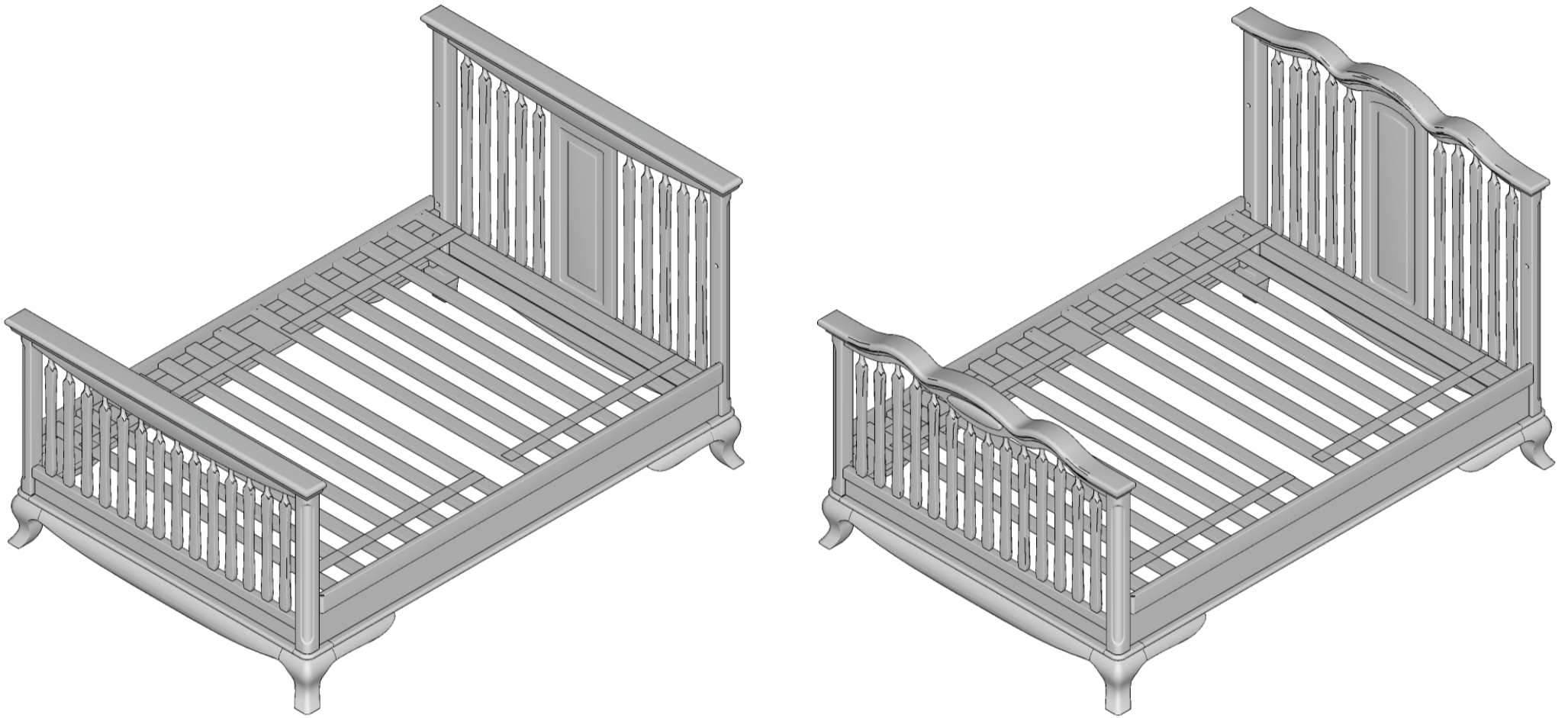
GENERAL FURNITURE CARE TIPS

- Wood, like any natural material is likely to present variations of grain and texture which will result in slight color variations or richness in the finish. These differences make each Romina Furniture item as beautiful and unique as you and your baby are.
- To preserve the initial appearance and functionality of your furniture, it is recommended that all furniture items be used in accordance with their intended design.
- Special water-based finishes are used to make this furniture safe for your baby. These finishes may be more delicate than those used on adult furniture thus requiring careful maintenance.
- Constant rubbing or mechanical interaction with sharp/hard objects such as belt buckles, jeans' zippers or buttons will likely damage the finish on your furniture. When placing or retrieving items onto the furniture, always set them down and pick them up, do not "slide" them. Items placed onto the horizontal surfaces must be moved/rotated to prevent discoloration in the finish.
- Exposure to extreme variations of environmental conditions such as humidity and temperature can affect the finish quality due to wood sudden expansion or shrinkage. It is recommended that the room temperature be maintained in between 65 and 75 degrees Fahrenheit and a relative humidity of 35 - 40%. Do not place items which are too hot or too cold directly onto the finished surfaces!
- Use caution when using a humidifier or vaporizer. Excessive moisture is harmful to the furniture causing the finish to peel and the wood to warp.
- Wipe up spills promptly. If water or other liquids stay in contact with the furniture for a long period of time, they can cause the finish to turn white or discolor. Alcohol or solvent containing substances or materials will permanently damage the finish.
- In general, furniture should not be placed in front or too close to air-conditioning outlets, fireplaces, heaters or humidifiers. Direct sunlight and ultraviolet rays will cause colors to fade, affect the luster and smoothness of the finish and in most cases may cause hairline cracks in the finish. White finishes will yellow naturally over time; exposure to direct sunlight will accelerate this natural process. Please note that all wood essences will darken over time along with the natural aging process which is not considered to be a quality defect.
- To clean the furniture, use a damp cloth immediately followed by wiping with a dry cloth. Do not allow water to stay in contact with the finish as it will damage the finish.
- If you need to put your furniture into storage for any period of time, avoid placing it in damp basements or hot attics. Air flow around and under the furniture should be allowed. Do not place furniture too close to walls, do not stack anything on it and do not cover it entirely.
- When using a vinyl changing pad or similar plastic accessories, make sure to use a fabric felt underneath. Certain plastics have ingredients that can react with and damage the finish. It is recommended to rotate the changing pad's position frequently to avoid finish discoloration.

THE FULL SIZE BED OPTION OF YOUR 6501 & 7501 SP & TH CONVERTIBLE CRIBS

(THE CONVERSION KIT IS SOLD SEPARATELY)

NOTE: YOUR CONVERTIBLE CRIB CAN CONVERT INTO A FULL SIZE BED WITH THE PURCHASE OF ROMINA FURNITURE ITEM CODE **CKC 7501** (CONVERSION KIT FOR CRIBS, code **7501**, SAME FOR BOTH CRIBS).
ASSEMBLY INSTRUCTIONS FOR FULL SIZE BED OPTION CAN BE FOUND INSIDE OF CKC PACKAGE.
PLEASE, CONTACT ROMINA FURNITURE OR YOUR LOCAL DISTRIBUTOR FOR MORE INFORMATION.



Please locate and confirm that you have the following parts:

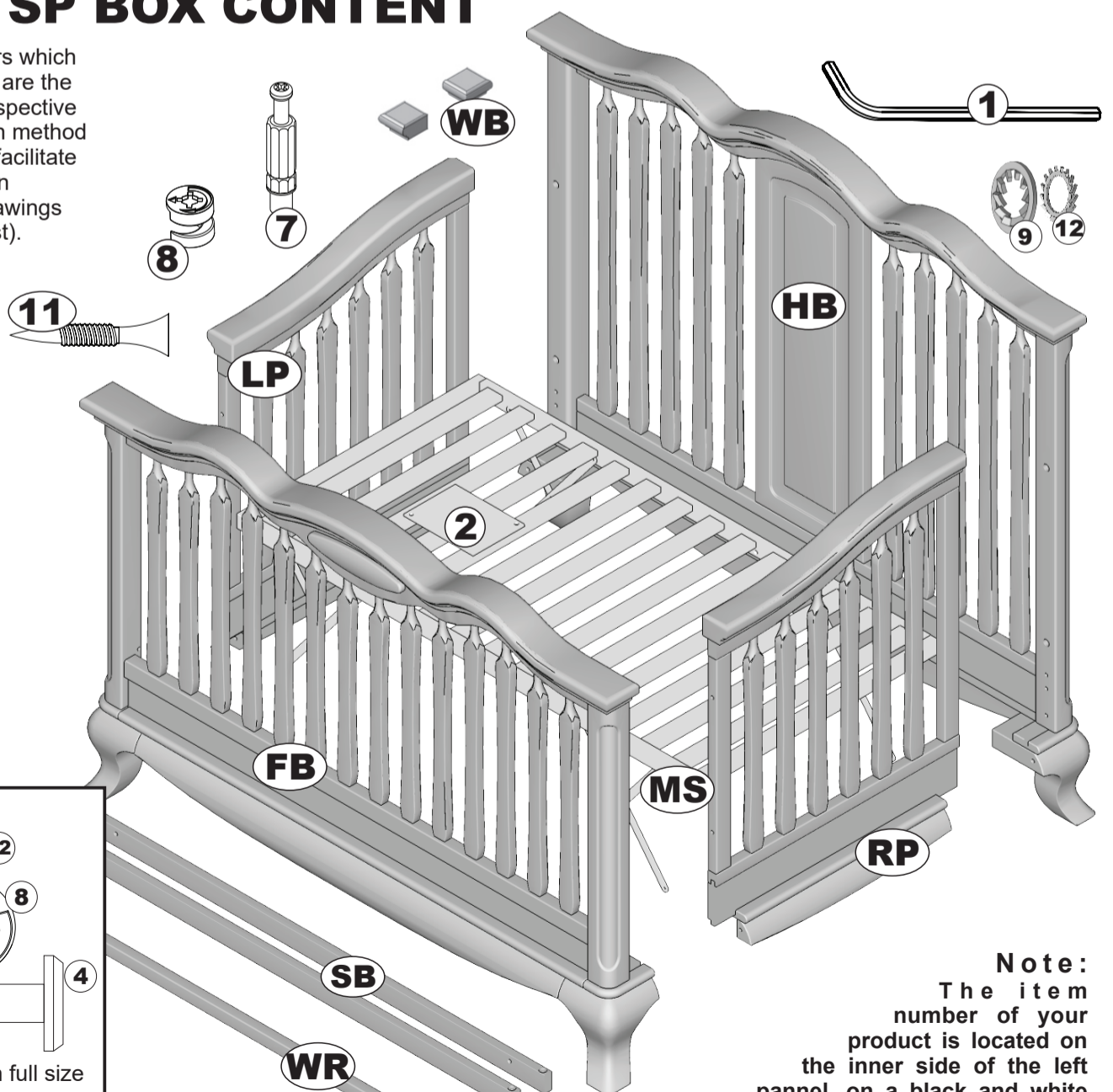
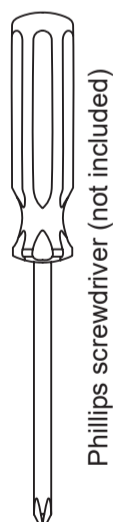
- HB. headboard = 1
- FB. footboard = 1
- LP. left panel = 1
- RP. right panel = 1
- SB. stabilizing bar = 2
- MS. mattress support = 1
- WR. wooden rail = 1
- WB. wooden block = 2

one bag of hardware with the following:

1. Allen wrench = 1
2. storage pouch = 1
3. plastic tie = 2
4. Allen bolt (60mm - 2 3/8") = 4
5. rounded head bolt (15mm - 19/32") = 4
6. Allen bolt (40mm - 1 9/16") = 4
7. screw-in dowel = 2
8. cam fitting = 2
9. bigger "internal star" lock washer = 12
10. Allen bolt (70 mm - 2 3/4") = 4
11. wood screw (flat head 20mm - 3/4") = 3
12. smaller "external star" lock washer = 4

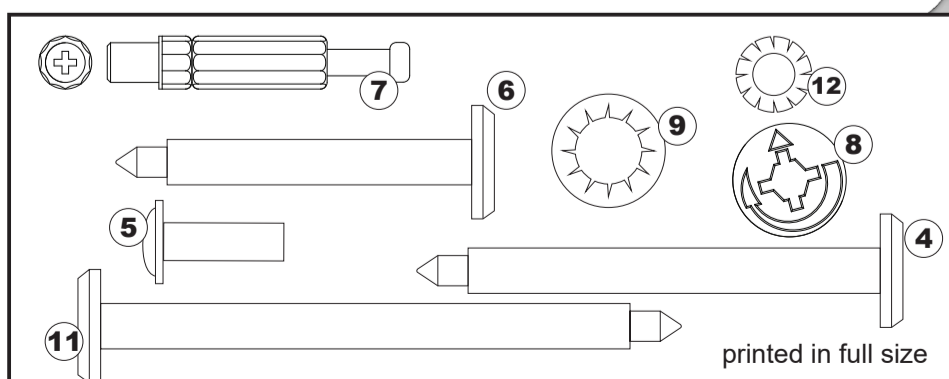
7501 TH & SP BOX CONTENT

Note: The letters which identifies a part are the initials of the respective part name (such method is employed to facilitate parts recognition between the drawings and the parts list).



Required tools: Allen wrench (supplied), Phillips screwdriver (not included), flat screwdriver (not included).

CAUTION: Do not use a power screwdriver which can cause screws to break or strip



Note: During the assembly process whenever using screws or bolts, check each by placing the screw / bolt on the upper diagram which is drawn in actual size. Be sure to use the proper size and shape specified in the instructions. Be sure to **COMPLETELY TIGHTEN** the screws / bolts when you are asked to do this.

Note:
The item number of your product is located on the inner side of the left panel, on a black and white label. Please, refer to this number in the event that you need to call ROMINA FURNITURE or your local distributor. Thank you.

STEP 1 (FOR BOTH 6501 & 7501) (Two adults are required to complete this step)

Take the footboard of your crib (**FB**) and carefully place it on the floor with the drilled side on top, taking care not to scratch its finish.

Insert 2 smaller Allen bolts (**6**) and 2 bigger washers (**9**) into a stabilizing bar (**SB**) and attach it to the footboard using the Allen wrench supplied (**1**).

Be sure that the metallic inserts face of the stabilizing bar is facing towards the inside of the crib (follow the instructions attached to the stabilizing bar).

Completely tighten these two bolts.

Attach the left and right panels (**LP**) & (**RP**) to the footboard, using 4 smaller Allen bolts (**4**), 4 bigger washers (**9**) and the Allen wrench supplied (**1**). Do not completely tighten the bolts at this step, you will be asked to do this later.

Attach the other stabilizing bar (**SB**) to the headboard using 2 smaller Allen bolts (**6**), 2 bigger washers (**9**) and the Allen wrench supplied (**1**).

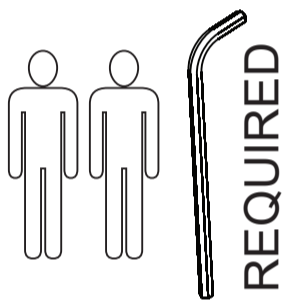
Be sure that the metallic inserts face of the stabilizing bar is facing towards the inside of the crib (follow the instructions attached to the stabilizing bar).

Completely tighten these two bolts.

Take the headboard (**HB**) and carefully place it over the part of your crib as resulted after completing the above steps.

Using 4 bigger Allen bolts (**10**), 4 bigger washers (**9**) and the Allen wrench supplied (**1**), attach the headboard to the right and left panels (**RP**) & (**LP**).

Always start the threads by hand to assure you don't strip the threads. Do not completely tighten the bolts at this step, you will be asked to do this later.



WARNING: TO KEEP YOUR BABY SECURE AND SAFE, AND TO AVOID POTENTIAL INJURY OR DEATH, IT'S **VERY IMPORTANT TO COMPLETELY TIGHTEN ALL 4 BOLTS LISTED IN STEP 1.**

NOTE: THE STYLE OF YOUR CRIB, HEADBOARD OR OF YOUR MATTRESS SUPPORT MAY VARY FROM WHAT IS PICTURED IN THE INSTRUCTION SHEET.

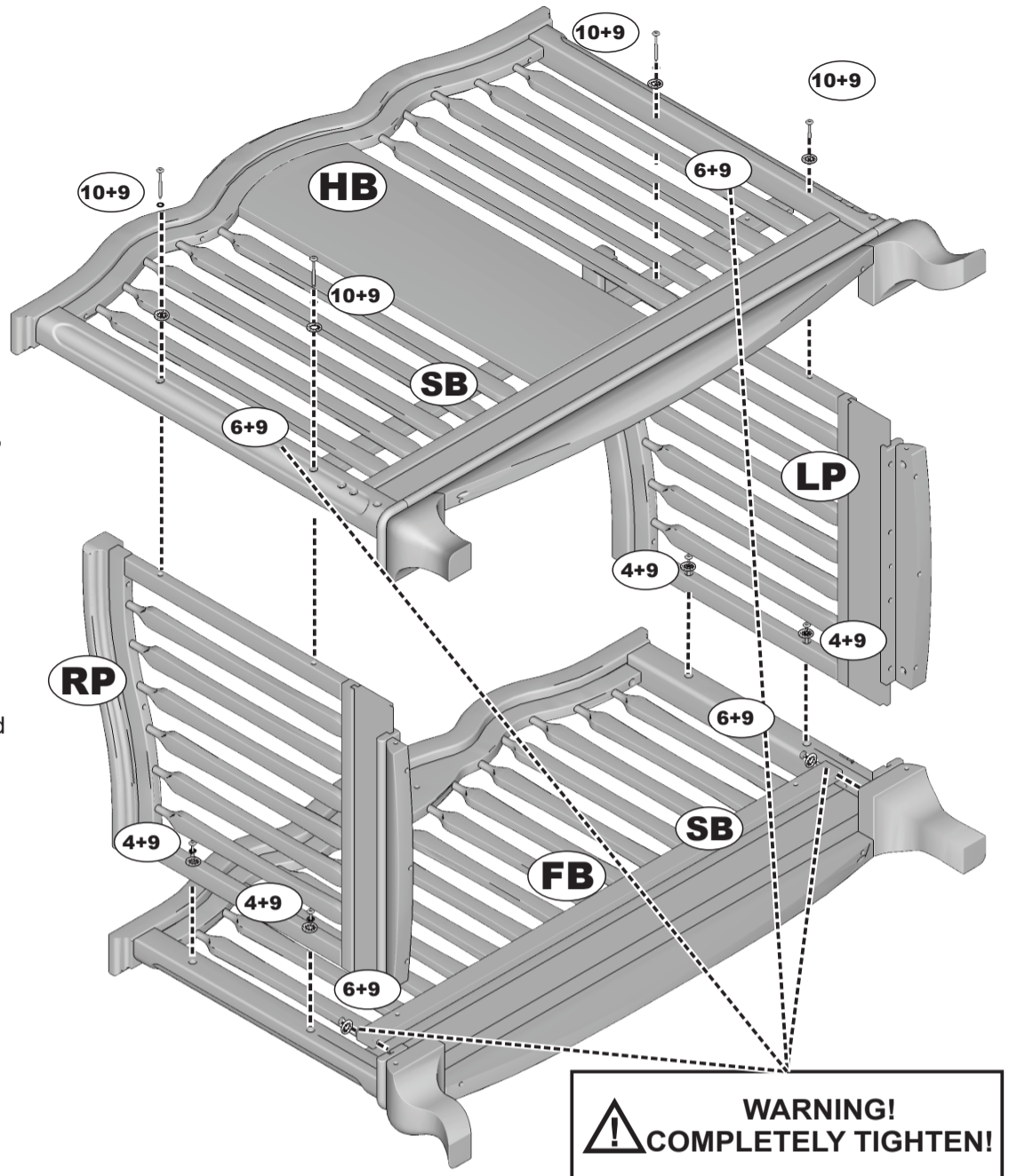
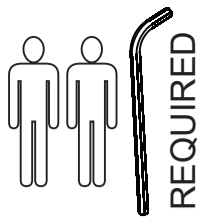


FIGURE 1

THE TODDLER RAIL OPTION OF YOUR 6501 & 7501 SP & TH CONVERTIBLE CRIBS (THE TODDLER RAIL IS SOLD SEPARATELY)

NOTE: YOU CAN ATTACH A TODDLER RAIL TO YOUR CRIB WITH THE PURCHASE OF ROMINA FURNITURE ITEM TR 7501 (TODDLER RAIL 7501, SAME FOR BOTH CRIBS). ASSEMBLY INSTRUCTIONS FOR TODDLER RAIL CAN BE FOUND INSIDE OF TR 7501 PACKAGE. PLEASE, CONTACT ROMINA FURNITURE OR YOUR LOCAL DISTRIBUTOR FOR MORE INFORMATION.





WARNING!
COMPLETELY TIGHTEN!

NOTE: THE STYLE OF YOUR CRIB, HEADBOARD OR OF YOUR MATTRESS SUPPORT MAY VARY FROM WHAT IS PICTURED IN THE INSTRUCTION SHEET.

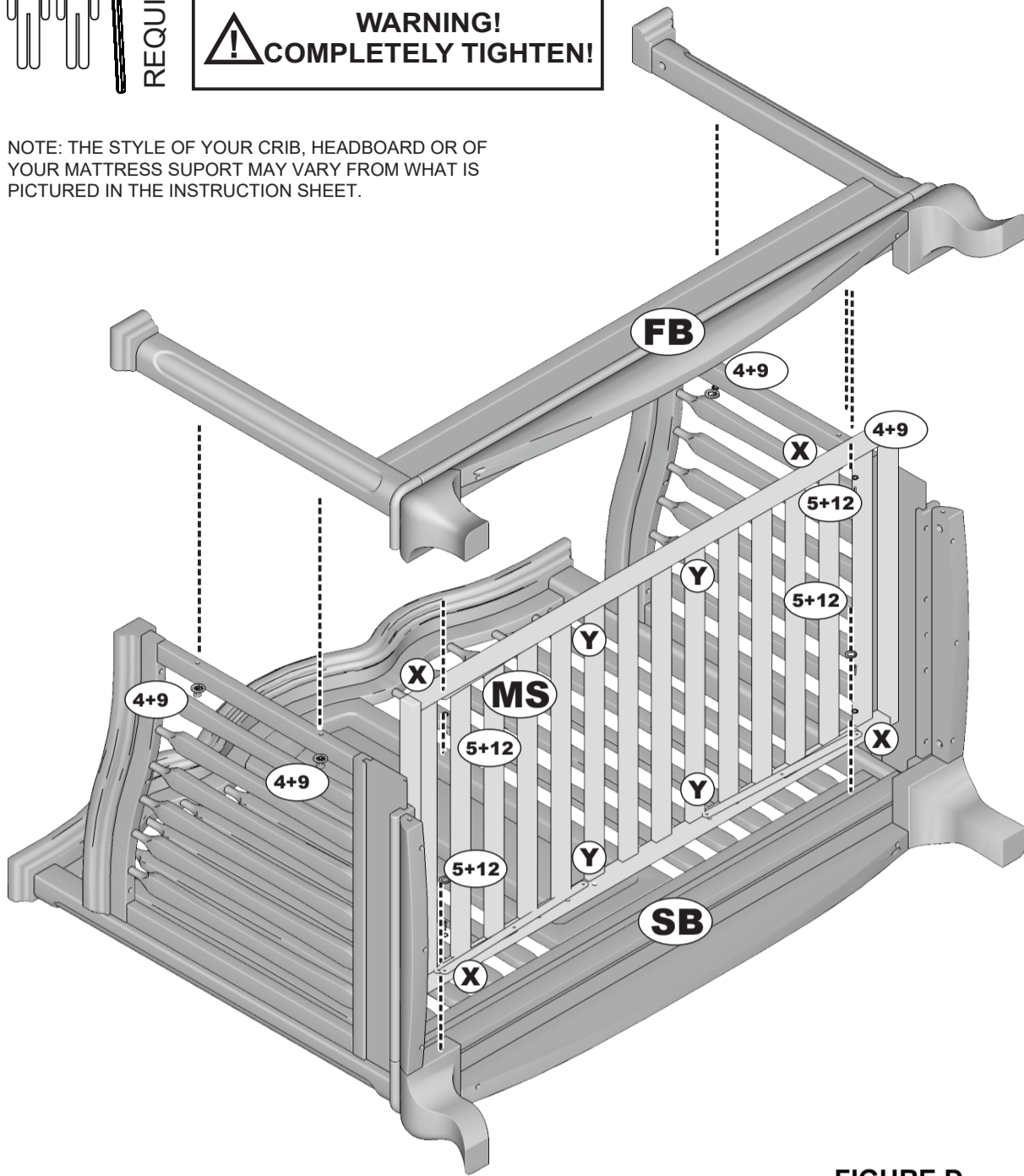


FIGURE D

STEP D (FOR BOTH 6501 & 7501) (Two adults are required to complete this step)

Take the footboard of your crib (FB) as resulted after completing STEP C and carefully place it back over the rest of the crib.

Using 4 smaller Allen bolts (4), 4 washers (9) and the Allen wrench supplied (1), fix the footboard (FB) to the right and left panels (RP) & (LP).

Do not completely tighten the bolts at this step, you will be asked to do this later.

STEP E (FOR BOTH 6501 & 7501)

Take the mattress support (MS) and adjust it to its lowest position (see STEP 2 & ADJUSTING THE HEIGHT OF YOUR MATTRESS SUPPORT for details).

Then mount it back on the stabilizing bars (SB) using all 4 rounded head bolts & washers (5+12) and a Phillips screwdriver (not supplied). Now, you must completely tighten all 8 bolts (X, 5+12) involved in mattress support fixing using a Phillips screwdriver (not supplied) and all 4 Allen bolts remains un-tightened from all previous steps.

REMINDER

You have to tighten a total of 16 bolts, distributed as following:

- 4 smaller Allen bolts (4+9) in the footboard (FB);
- 4 rounded head bolts (5+12) in the stabilizing bars (SB);
- 8 rounded head bolts (X, Y - factory mounted) in the mattress support (MS).

STEP F (FOR BOTH 6501 & 7501) (Two adults are required to complete this step)

Turn the resulted daybed with its feet back on the floor. After completing assembly, your daybed should look like one of the models depicted on the first pages of this section.

WARNING: TO KEEP YOUR BABY SECURE AND SAFE, AND TO AVOID POTENTIAL INJURY OR DEATH, IT'S VERY IMPORTANT TO COMPLETELY TIGHTEN ALL 12 BOLTS LISTED IN STEP E.

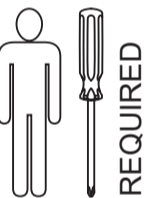
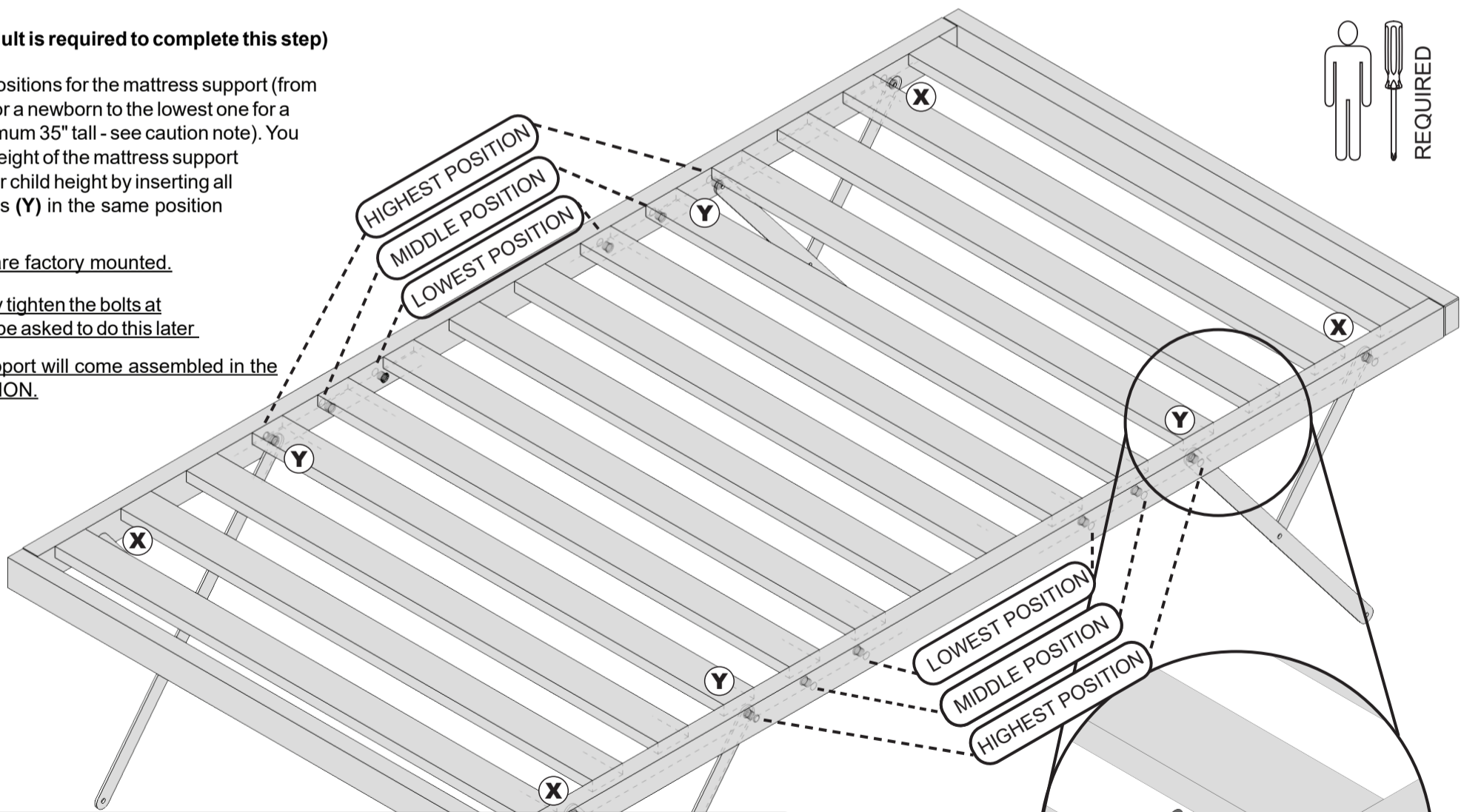
STEP 2 (One adult is required to complete this step)

There are three positions for the mattress support (from the highest one for a newborn to the lowest one for a child that is maximum 35" tall - see caution note). You must adjust the height of the mattress support depending of your child height by inserting all four bolts and nuts (Y) in the same position (see FIGURE 2).

Bolt (X) and (Y) are factory mounted.

Do not completely tighten the bolts at this step, you will be asked to do this later.

The mattress support will come assembled in the LOWEST POSITION.



ADJUSTING THE HEIGHT OF YOUR MATTRESS SUPPORT

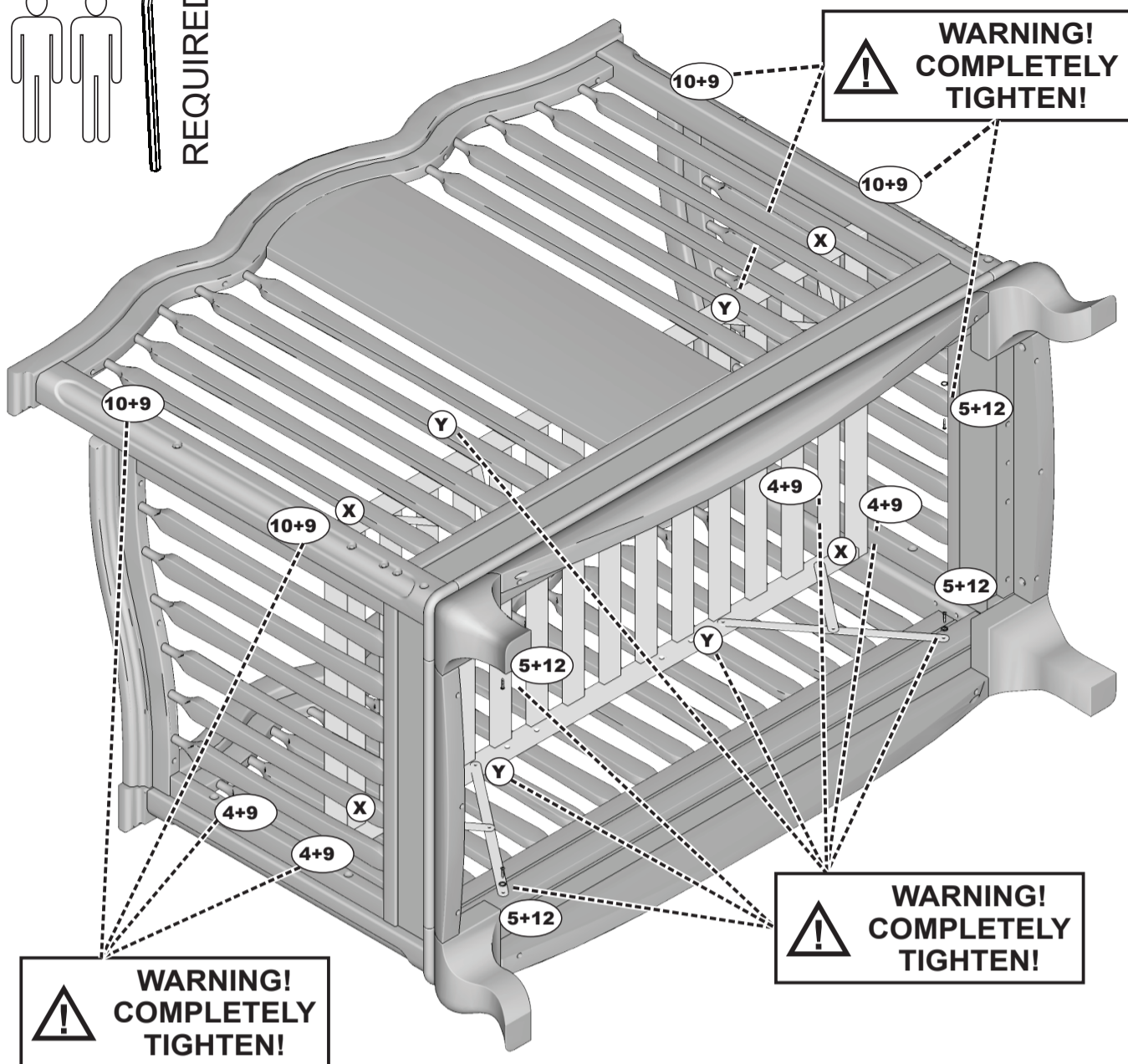
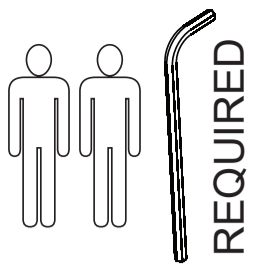
To adjust the vertical position of your mattress support you must remove all four bolts and washers (Y), loosen all eight bolts (5+12, X) lower the frame and insert the bolts and washers (Y) back into the corresponding holes, according to the desired height (see FIGURE 2). Completely tighten all bolts.

Your crib is designed in such a manner that, when the mattress support is adjusted to its lowest position, the mattress support frame must be placed directly over the stabilizing bars. Before tighten the bolts, you must slightly press the mattress support frame to make sure this position is achieved.

WARNING: TO KEEP YOUR BABY SECURE AND SAFE, AND TO AVOID POTENTIAL INJURY OR DEATH, IT'S VERY IMPORTANT TO COMPLETELY TIGHTEN ALL 12 BOLTS (X), (Y) & (5+12) AFTER YOU HAVE ADJUSTED THE HEIGHT OF YOUR MATTRESS SUPPORT.

NOTE: THE STYLE OF YOUR CRIB, METALLIC BRACKETS OR MATTRESS SUPPORT MAY VARY FROM WHAT IS PICTURED IN THE INSTRUCTION SHEET.

FIGURE 2



STEP 3 (FOR BOTH 6501 & 7501)

Mount the mattress support (MS) on the stabilizing bars as these resulted after **STEP 1**, using 4 rounded head bolts (5), 4 smaller washers (12) and a Phillips screwdriver (not supplied). The lock washer must be attached to the bolt before inserting the bolt through the metallic bracket of the mattress support.

Now, **you must completely tighten** all 12 bolts (X, Y, 5+12) involved in mattress support fixing using a Phillips screwdriver (not supplied) and all 8 Allen bolts (10+9, 4+9) remains un-tightened from all previous steps (see **FIGURE 3**).

REMINDER

- You have a total of 16 bolts, distributed as following:
- 4 bigger Allen bolts (10+9) in the headboard (HB);
 - 4 Allen bolts (4+9) in the footboard (FB);
 - 8 rounded head bolts (X, Y - factory mounted) in the mattress support (MS);
 - 4 rounded head bolts (5+12) in the stabilizing bars (SB).

STEP 4 (FOR BOTH 6501 & 7501) (Two adults are required to complete this step)

Turn your crib with its feet back on the floor. Attach the storage pouch supplied to the mattress support spring using two plastic ties (also supplied). Store this instruction booklet in the storage pouch for future use. After completing assembly, your crib should look like the one depicted on the first page of this manual

WARNING: TO KEEP YOUR BABY SECURE AND SAFE, AND TO AVOID POTENTIAL INJURY OR DEATH, IT'S **VERY IMPORTANT** TO **COMPLETELY TIGHTEN ALL 16 BOLTS LISTED IN STEP 3.**



NOTE: THE STYLE OF YOUR CRIB, HEADBOARD OR OF YOUR MATTRESS SUPPORT MAY VARY FROM WHAT IS PICTURED IN THE INSTRUCTION SHEET

FIGURE 3



STEP C (FOR BOTH 6501 & 7501)

Using a Phillips screwdriver (not supplied) or just the hand, insert two screw-in dowels (7) into the metallic inserts holes found into each leg's top (please see the assembly tip for dowel correct positioning). Insert two cam fittings (8) into the bigger holes found into the wooden blocks (WB), taking care that the little arrow of the cam is pointing downwards, to the drilled face of the wooden block (see **FIGURE 3 & C** for details). Using the factory installed wooden dowels, align the wooden blocks and attach them to the legs. Then using the supplied Allen wrench (1) and moderate force, slightly rotate every cam fitting (8) clockwise (see the cam's rounded arrow) by about 90 deg to 120 deg until become tight.

Do not overtight the cams! This is not a fixture involved in your child safety.

Take the supplied wooden (WR) rail and attach it to your footboard using a Phillips screwdriver (not supplied) and three wood screws (11).

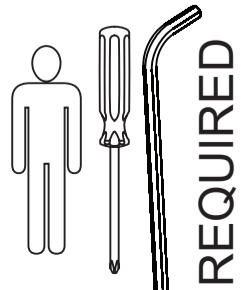
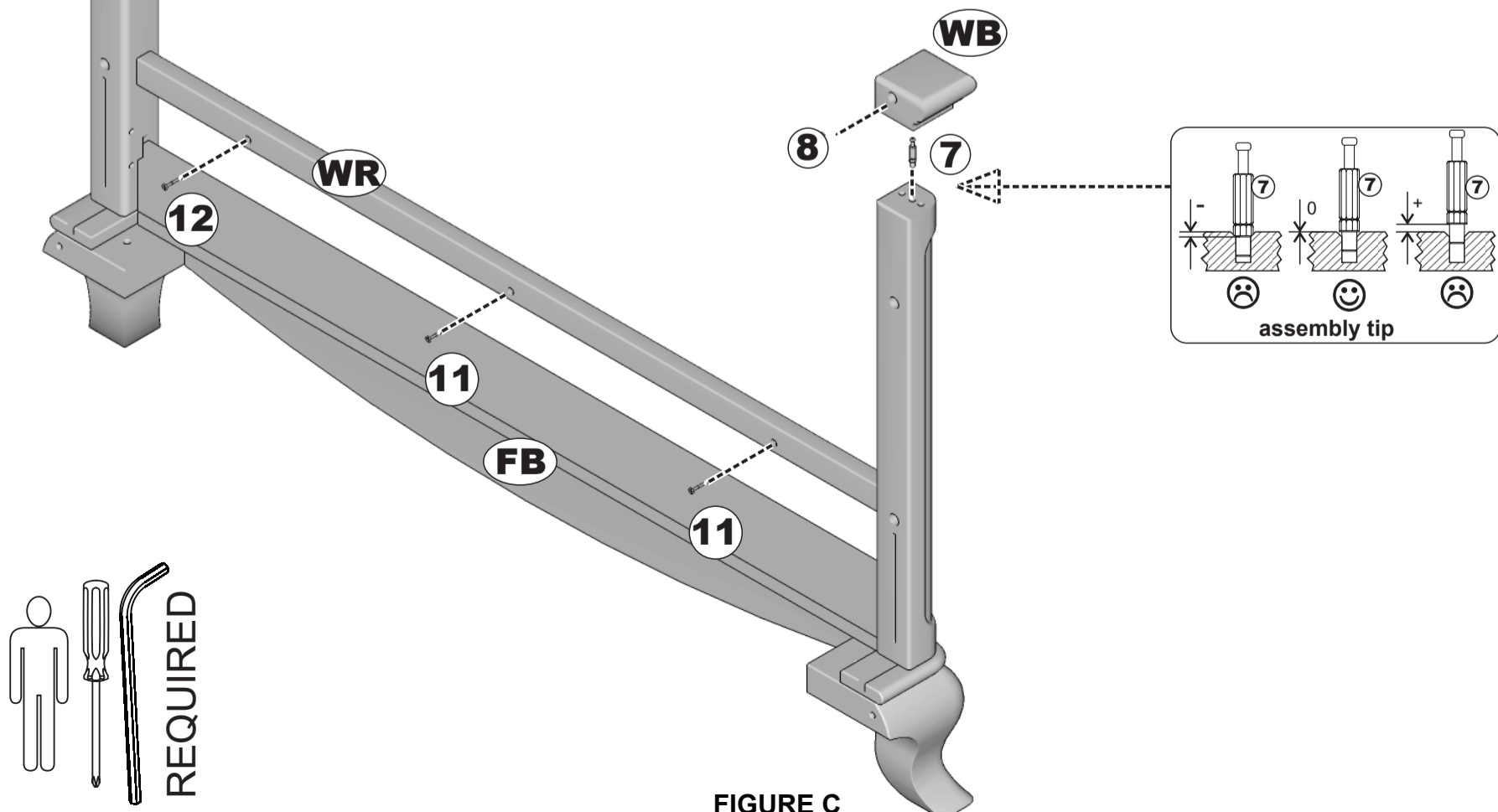
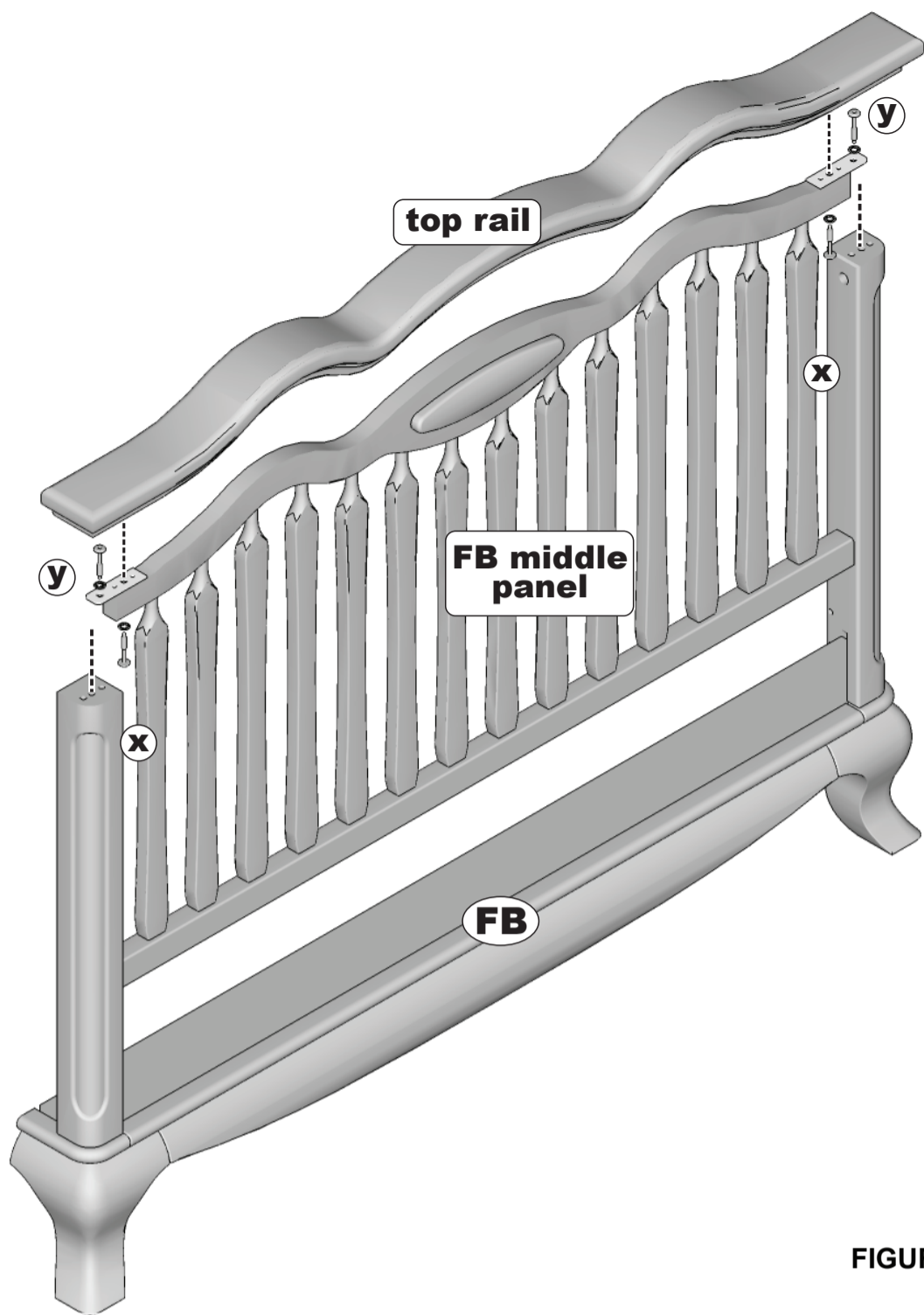


FIGURE C



STEP B (FOR BOTH 6501 & 7501)

Using the supplied Allen wrench (1) completely remove both Allen bolts (x) (previously mounted in factory) then remove the **top rail**. You will find another factory mounted Allen bolts (y), one for each leg of your footboard. Remove both smaller Allen bolts (y) and then the resulted **footboard middle panel** by pulling it upward (see **FIGURE B**). Please, store the top rail, the middle panel and the resulted Allen bolts in a proper place, taking care not to scratch the wood finish.

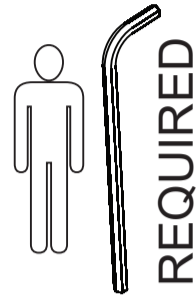


FIGURE B

**ASSEMBLY INSTRUCTIONS
FOR DAYBED OPTION
OF YOUR 6501 & 7501 SP & TH
CONVERTIBLE CRIBS**



this picture shows how your daybed should look like after completing STEP F

WARNING (FOR DAY BED OPTION ONLY):

- ANY MATTRESS USED IN THIS CRIB MUST BE AT LEAST 27 1/4 INCHES BY 51 5/8 INCHES WITH A THICKNESS NOT EXCEEDING 6 INCHES.
- THE MINIMUM AGE SHALL NOT BE LESS THAN 15 MONTHS AND THE MAXIMUM WEIGHT SHALL NOT BE GREATER THAN 50LB.

DO NOT THROW THIS INSTRUCTION BOOKLET.

IMPORTANT:
PLEASE, READ ALL INSTRUCTIONS
BEFORE ASSEMBLING!
PLEASE, SAVE INSTRUCTIONS FOR
FUTURE USE



4300 Northlake Ct, Ste E, Charlotte, NC 28216
Phone: 980-585-1460 / contact@rominafurniture.com
www.rominafurniture.com

NOTE: THE STYLE OF YOUR CRIB, HEADBOARD OR OF YOUR MATTRESS SUPPORT MAY VARY FROM WHAT IS PICTURED IN THE INSTRUCTION SHEET

ASSEMBLY INSTRUCTIONS FOR DAYBED OPTION OF YOUR 6501 & 7501 SP & TH CONVERTIBLE CRIBS



NOTE: THE STYLE OF YOUR CRIB, HEADBOARD OR OF YOUR MATTRESS SUPPORT MAY VARY FROM WHAT IS PICTURED IN THE INSTRUCTION SHEET

WARNING (FOR DAY BED OPTION ONLY):

- ANY MATTRESS USED IN THIS CRIB MUST BE AT LEAST 27 1/4 INCHES BY 51 5/8 INCHES WITH A THICKNESS NOT EXCEEDING 6 INCHES.
- THE MINIMUM AGE SHALL NOT BE LESS THAN 15 MONTHS AND THE MAXIMUM WEIGHT SHALL NOT BE GREATER THAN 50LB.

DO NOT THROW THIS INSTRUCTION BOOKLET.

IMPORTANT:

**PLEASE, READ ALL INSTRUCTIONS
BEFORE ASSEMBLING!
PLEASE, SAVE INSTRUCTIONS FOR
FUTURE USE**



4300 Northlake Ct, Ste E, Charlotte, NC 28216
Phone: 980-585-1460 / contact@rominafurniture.com
www.rominafurniture.com

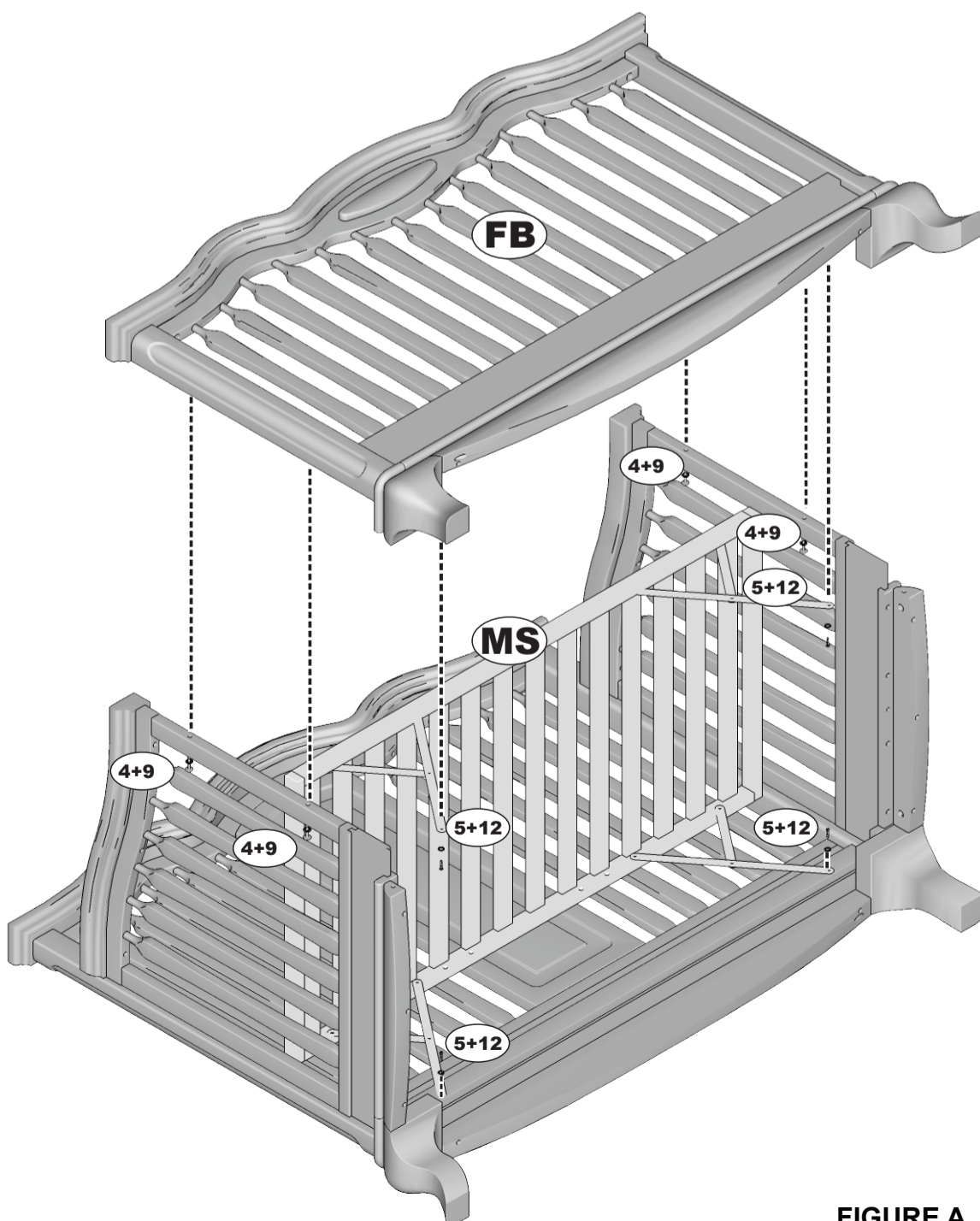


FIGURE A

STEP A (FOR BOTH 6501 & 7501) (Two adults are required to complete this step)

Take your crib and carefully place it on the floor with the footboard (FB) on top, taking care not to scratch its finish.

Using a Phillips screwdriver (not supplied) remove all 4 rounded head bolts and washers (5+12) involved in mattress support fixing (MS) then remove the mattress support.

Remove all four smaller Allen bolts and washers (4+9) used to fix the footboard (FB).

Take the footboard of your crib and carefully hold it in vertical position, with its feet on the floor.

