

TANNING
essentials® SIMPLE TANNING SYSTEMS *built purposely for a perfect spray tan.*

PRO^v - TRAINING MANUAL



AUSTRALIA | CHINA | UNITED KINGDOM | USA

www.tanningessentials.co

TANNING essentials®

WELCOME

Thank you for choosing the Tanning Essentials Pro^v Spray Tan System. Please read the following to help assist you with the set up and maintenance of your spray tan unit. You can also view the full video on Pro V Spray Tan System Set Up, Maintenance and Troubleshooting via You Tube.

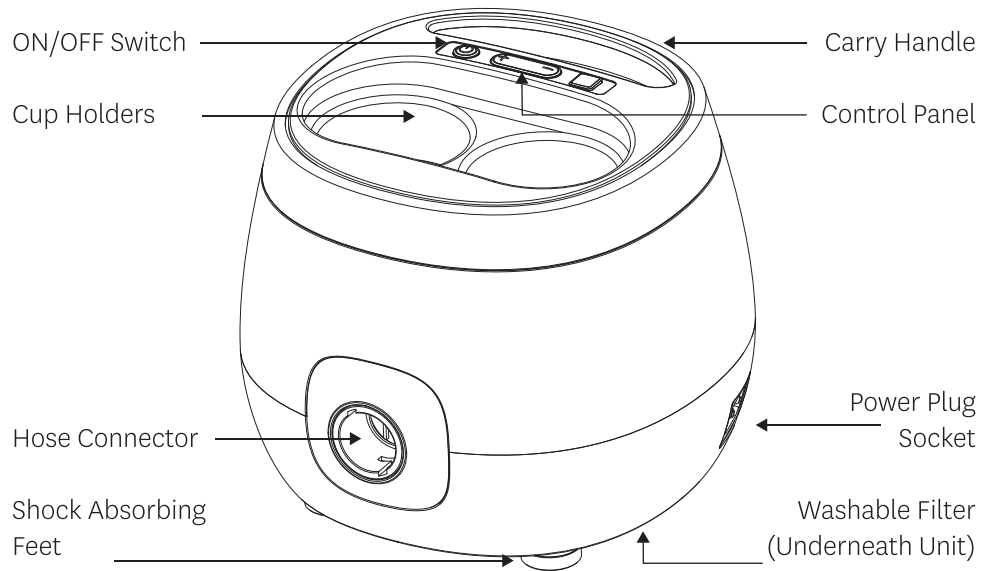
QUICK SET UP GUIDE

The Tanning Essentials Pro^v Spray Tan System contains:

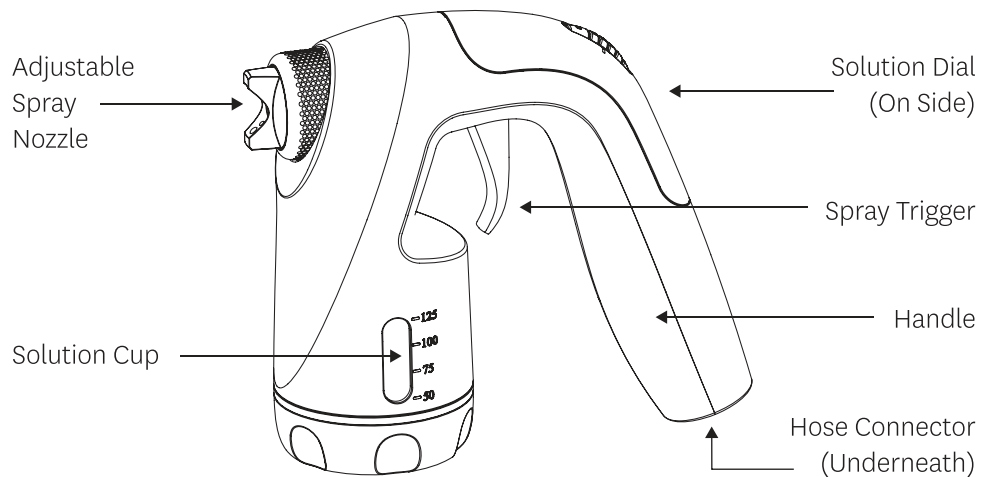
- | | | | |
|---|---------------------------------------|---|---------------------------|
| 1 | 1 x Pro ^v Spray System | 4 | 2 x Solution Cups |
| 2 | 1 x Pro ^v Spray Applicator | 5 | 1 x Power Cord |
| 3 | 1 x Pro ^v Spray Hose | | 1 x Manual (not pictured) |



SPRAY SYSTEM



SPRAY APPLICATOR



SPRAY APPLICATOR



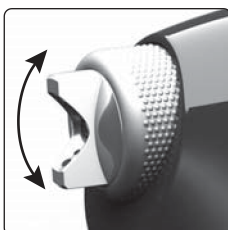
STEP 1

Unscrew the solution cup and fill $\frac{3}{4}$ full. Overfilling the solution cup may cause leaks.



STEP 2

Insert solution cup and screw tightly.



STEP 3

Set nozzle by turning, vertical position for up and down and horizontal position for left and right spraying. The nozzle can also be turned 360° and adjust diagonally for technicians that are trained in contouring.



STEP 4

Adjust solution dial on the back of the applicator to choose the amount/flow of solution you would like to dispense. A higher setting will result in more solution being distributed. Setting your applicator on 2-4 for the body and 2 for the face are best recommended.



STEP 5

Attach hose- Insert the longer narrow hose fitting into the bottom of the applicator and turn anticlockwise until firm, ensuring the fitting lines up with the bottom of the applicator.

SPRAY UNIT



STEP 1

Attach hose to unit. Insert hose fitting into unit and turn clockwise until firm. This connection is similar to a light bulb connection and avoid over tightening as this may result in broken components.



STEP 2

Attach Power cord and turn power on at the wall switch.



STEP 3

Turn on your unit by pressing the ON/OFF button and choose your desired POWER setting by pressing the + or - on the control panel. The power is controlled via the digital control button located at the top of the unit and consists of six spray levels. Recommended power setting is 3 depending on the solution and speed of application.

SPRAY UNIT MAINTENANCE GUIDE

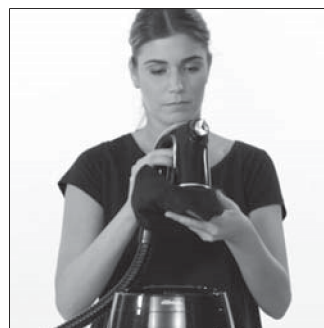
- STEP 1** Clean the spray unit with a cloth. Avoid using anything abrasive. Windex and Mr. Sheen are useful products for maintaining the gloss finish of your spray unit.
- STEP 2** Clean the filter. Remove the filter from the base of the unit and rinse in warm water. Wait until filter is completely dry before re-fitting. Positioning the spray unit behind the spray technician when in use will ensure the unit stays cleaner for longer.



SPRAY APPLICATOR MAINTENANCE GUIDE

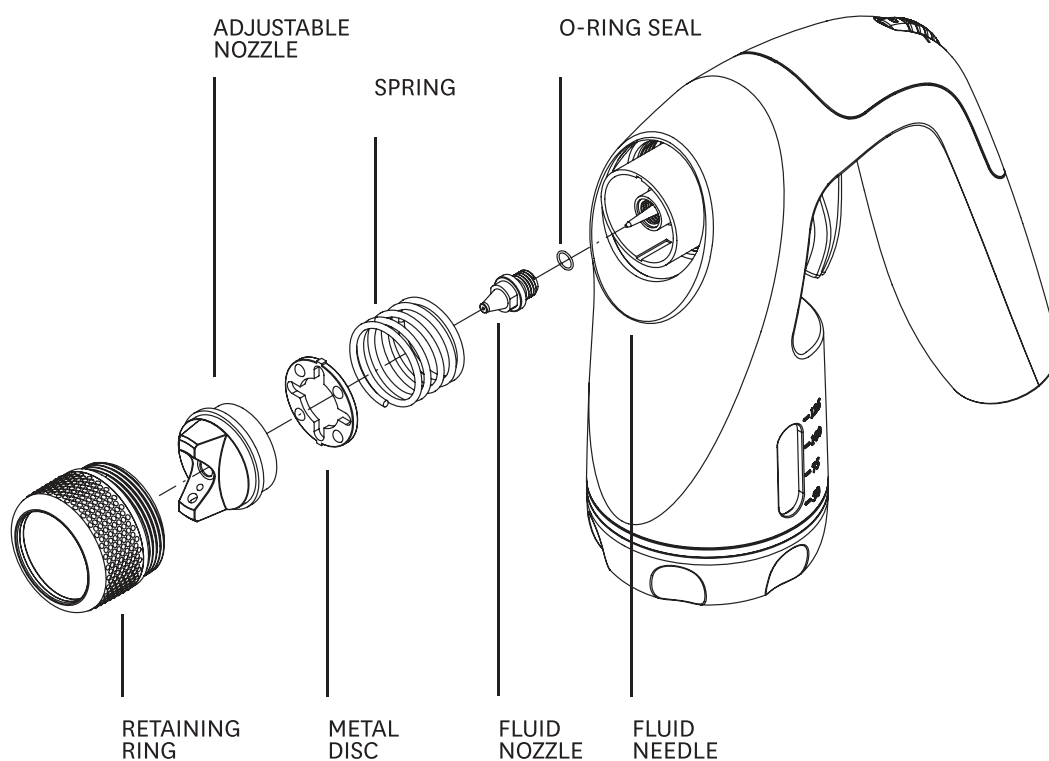
Maintenance on the Applicator must be run at the end of each day the applicator is used.

- STEP 1** Remove hose.
- STEP 2** Unscrew solution cup and empty any excess solution. It is recommended that this be done over a sink or a wet area.
- STEP 3** Rinse the empty solution cup with warm water.
- STEP 4** Refill the cup with warm water and screw back into the applicator, fix the solution dial to 'C' and spray until the water runs clear. Rinse and repeat if required
- STEP 5** Empty solution cup and re-set the solution dial on the back of the gun to the regular spray setting.
- STEP 6** Wipe any excess water from the applicator with a cloth and leave out to dry.



SECONDARY SPRAY APPLICATOR MAINTENANCE

Secondary maintenance must be run on the applicator every 2-4 weeks or when required. Secondary maintenance will deliver a more thorough clean to prevent or clear any blockages and uphold the applicators performance.



SECONDARY SPRAY APPLICATOR MAINTENANCE

TROUBLESHOOTING - BLOCKED NOZZLE OR CONTINUOUS SPRAY WITHOUT PRESSING THE TRIGGER

- STEP 1** Locate and unscrew retaining ring. To release; turn retaining ring in an anti-clockwise motion.
- STEP 2** Gently pull on the adjustable nozzle to remove.
- STEP 3** Gently remove the metal disc and spring.
- STEP 4** Fit an 8mm spanner to the flat edges of the fluid nozzle and turn anti-clockwise to unscrew.
- STEP 5** Ensure you do not misplace the o-ring seal, which is located behind the fluid nozzle .
- STEP 6** Once removed, visually inspect the fluid nozzle for small particles or blockages - rinse thoroughly with hot water.
- STEP 7** Gently wipe the fluid needle to clean and remove any debris (the fluid needle should not be removed from the applicator at any time).
- STEP 8** Once visually clear of any debris, re-attach fluid nozzle, ensuring the O-ring is in position, then use the spanner (8mm) to gently tighten back into place.
- STEP 9** Replace spring, then gently insert metal disc ensuring the grooves on the disc line up with the sides and the raised front is forward facing.
- STEP 10** Replace adjustable nozzle and rotate back into position.
- STEP 11** Repeat previous step, this time with the retaining ring.

TROUBLESHOOTING

If you are experiencing problems with this unit, in the first instance please carefully read the relevant sections of the User Manual and the Troubleshooting section below. If you cannot solve your problem please contact your supplier for further assistance.

PROBLEM	CAUSE	WHAT TO DO
My solution is bubbling from the cup	Seal is not in properly	Fit the gun seal correctly.
	Solution Cup is not screwed in correctly	Unscrew and reattach the cup.
	The cup is cross-threaded	Unscrew and reattach the cup.
	Solution cup is overfilled	Empty some solution from the cup so it is half to 3/4 full.
The air flow is cutting in an out	The filter is dirty	Remove the filter from the base of the unit and rinse in warm water. Wait until filter is completely dry before refitting.
	The power setting need adjusting	Increase the power on your system.
The Spray Unit will not turn on	Power cord not attached	Ensure that the power cord is pushed in firmly to the base of the unit and wall socket
	Electricity not turned on	Ensure that the power point is on
The spray applicator is leaking	Spray Cup is not tight enough	Tighten the solution cup
	Too much solution	Empty some solution from the cup so it is half to 3/4 full
	Nozzle may be blocked	Perform secondary maintenance

TROUBLESHOOTING

PROBLEM	CAUSE	WHAT TO DO
The spray is spluttering	Solution in cup low	Add solution to the cup
	Control dial is set too low	Increase power
	Nozzle may be blocked	Perform secondary maintenance
	Air pressure is low	Increase air pressure Clean filter in machine
No solution is coming out of the spray applicator	Nozzle may be blocked	Spray warm water through the applicator
	Solution in cup too low	Add solution to the cup
	Trigger is jamming	Spray warm water through the applicator while the Solution Dial is set at C and pull the trigger repeatedly until it frees
	Solution Dial on applicator set too low	Increase solution dial on applicator, number 1 being the lowest and Number 6 being the highest setting
Hose coming out of unit	Hose not correctly fitted to unit	Ensure the fitting is inserted and turned to lock. The hose connection will feel tight upon first use and will require some force to lock, you will feel a seal break and the hose click into place when connected correctly.
	Hose fitting broken from over tightening	Contact your supplier or service agent

TIPS & TRICKS

PROBLEM	CAUSE	WHAT TO DO
The solution is sitting on the skin or beading on the client	Too much tanning solution has been sprayed onto the skin	Dab area gently with a clean dry towel and re-spray lightly, blending the tan in
	Client has not prepared their skin correctly i.e. moisturiser or perfume on the skin	
	Client maybe excessively hot and perspiring	
	If machine air pressure is set to low it will not atomise the solution	Increase the air speed.
	Client may have used a body wash or scrub high in oil.	The client needs to remove the product from the skin.
The client has tanning solution in areas they don't wish to tan	The technician has sprayed the area incorrectly	Exfoliate the area using tan removing product for best results or a cloth and soap
	Client has touched part of their body with a spray tanned area	
The client appears orange	Too much tanning solution has been sprayed onto the skin	Exfoliate the skin before re-spraying and ensure the spray application is lighter
	The client may have left a rapid tanning solution on too long	
	The client may have low tolerance to DHA	

WARRANTY INFORMATION

.....
IMPORTANT

Please keep your proof of Purchase and User Manual in a safe place as you will require these to make a warranty claim. Prior to making a claim you should read through the trouble shooting section in the manual and contact your supplier. All warranty claims should be made directly to your supplier.

If within one (1) year from the date of purchase, the product fails due to a defect in material or workmanship, we will repair if possible or replace it free of charge with a comparable unit which may be new or refurbished. This warranty applies only to the original purchaser and is not transferable. The goods must be returned to the seller with proof of purchase to be assessed at the purchasers cost.

Warranties shall not apply to any defect, failure or damage caused by improper use or improper or inadequate maintenance and care. The manufacturer shall not be obligated under these warranties:

- a) to repair damage resulting from attempts by personnel other than authorised representatives to install, repair or service the product;
- b) to repair damage, malfunction, or degradation of performance resulting from improper use or incompatible solution;
- c) to perform maintenance or cleaning or to repair damage, malfunction, or degradation of performance resulting from failure to perform user maintenance and cleaning as prescribed;
- d) to repair damage, malfunction, or degradation of performance resulting from use of the product in an environment not meeting the operating specifications.

To activate your warranty, please complete the information and post to Tanning Essentials within 14 days of purchase.